

前 言

为使WP10系列发动机在使用、维护等工作上的方便，特汇编本图册，以供我方与用户在使用中查阅参考。

该图册基本上按组绘出了各个零件的装配关系。图序号、件号、数量、中文名称、英文名称等列于明细表栏内。图册包含发动机详细的装机明细，其中部分零件为不可销售配件，如欲了解配件销售事宜可咨询潍柴动力股份有限公司。

随着技术和生产的不断发展，发动机的变形将增多，故本图册的内容将有所更新。变化不再另行通知，特请用户注意。本产品的售后服务统一授权潍柴动力股份有限公司执行，用户可以通过网站访问获取相关产品信息。

FOREWORD

This illustrated parts manual is specially prepared for customers to facilitate the use of WP10 series engine in operation and tenance.

The illustrations are grouped under the heading of each assembly and numbered individually. Part.

No., Quantity, Model, English designation, Chinese designation and so on are written in the parts list. The parts catalogue include detailed assembling parts list of engine, some parts can not be sold, if you want to know selling part matters, please ask Weichai Power Co., Ltd.

With the development of technology and production, the versions of the engine will be increased, so the catalogue will be revised. Please pay attention to our revised edition. After service of this product is authorized to Weichai Power Co., Ltd, Consumers can acquire information of this product through .

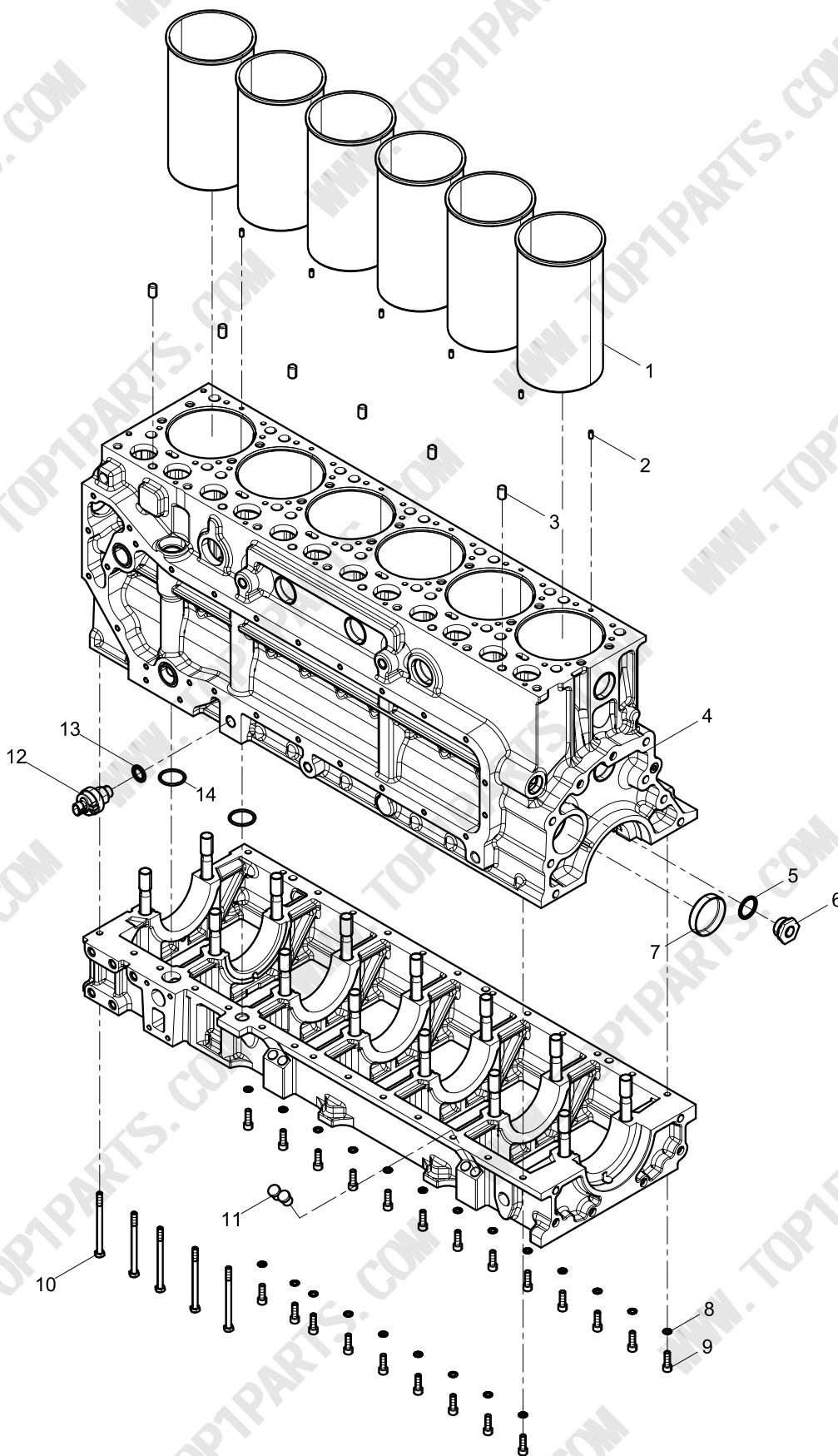
目 录 CONTENTS

机体结合组(Engine Block Group)	1
机体总成(crankcase assembly)	3
机体预装配(crankcase pre-assembly)	5
油封结合组(Oil Seal Group)	7
喷嘴结合组(Spray Nozzle Group)	9
飞轮壳结合组(Flywheel Housing Group)	11
齿轮室结合组(Gear Housing Group)	13
前端盖结合组(Front End Cover Group)	15
曲轴结合组(Crankshaft Group)	17
曲轴总成(Crankshaft Assembly)	19
曲轴分总成(Crankshaft Subassembly).....	21
主轴瓦结合组(Main Bearing Group)	23
止推片结合组(Thrust Plate Group)	25
飞轮结合组(Flywheel Group)	27
活塞连杆结合组(Piston and Connecting Rod Group)	29
活塞总成(Piston Assembly)	31
活塞环组件(Piston Ring Set)	33
连杆总成(Connecting Rod Assembly)	35
气缸盖结合组(Cylinder Head Group)	37
气缸盖分总成(Cylinder Head Subassembly).....	39
吊环结合组(Lift Lug Group)	41
气缸盖罩结合组(Cylinder Head Cover Group)	43
油气分离器结合组(Oil-gas Separator Group)	45
油气分离器(Oil-gas Separator)	47
配气机构结合组(Valve Train Group)	49
EVB支架总成(EVB Bracket Assembly)	51
摇臂轴组件(Rocker Arm Shaft Set).....	53
凸轮轴总成(Camshaft Assembly)	55
摇臂组件(Rocker Arm Set).....	57
齿轮传动结合组(Gear Drive Group)	59

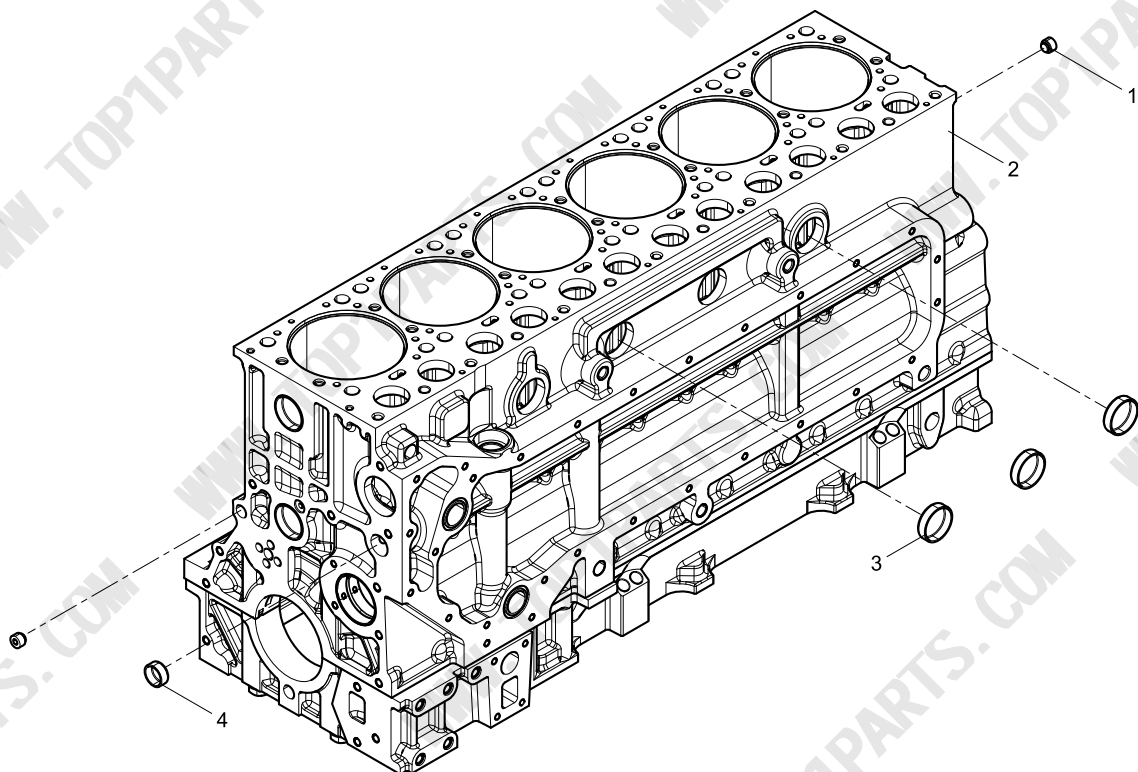
中间齿轮总成(Idler Gear Assembly)	61
机油泵中间齿轮组件(Oil Pump Idle Gear Set)	63
曲轴皮带轮结合组(Crankshaft Pulley Group)	65
油底壳结合组(Oil Pan Group)	67
油底壳组件(Oil Pan Set)	69
油标尺结合组(Oil Dipstick Group)	71
油标尺总成(Dipstick Assembly)	73
机油泵结合组(Oil Pump Group)	75
机油集滤器结合组(Oil Strainer Group)	77
机油冷却器盖结合组(Oil cooler cap Group)	79
机油冷却器结合组(Oil Cooler Group)	81
机油滤清器结合组(Oil Filter Group)	83
机油滤清器(Oil Filter)	85
加机油管结合组(Oil Filling Tube Group)	87
限压阀结合组(Pressure-limiting Valve Group)	89
水泵结合组(Water Pump Group)	91
水泵进水管结合组(Water Pump Inlet Pipe Group)	93
出水管结合组(Water Outlet Pipe Group)	95
中冷器结合组(Intercooler Group)	97
风扇及轮毂结合组(Fan and Hub Group)	99
喷油泵结合组(Fuel Injection Pump Group)	101
喷油泵润滑油管结合组(Fuel Injection Pump Oil Pipe Group)	103
喷油器结合组(Fuel Injector Group)	105
喷油器(Fuel Injector)	107
高压接头(High-pressure Connector)	109
低压油管结合组(Low Pressure Fuel Pipe Group)	111
燃油滤清器结合组(Fuel Filter Group)	113
燃油滤清器(Fuel Filter)	115
高压油管结合组(High Pressure Fuel Pipe Group)	117
进气管结合组(Intake Manifold Group)	119
进气管总成(Intake Manifold Assembly)	121

增压器结合组(Turbocharger Group).....	123
增压器润滑油管结合组(Turbocharger Oil Pipe Group)	125
排气管结合组(Exhaust Manifold Group)	127
后排气歧管结合组(Rear Exhaust Manifold Group).....	129
停车装置结合组(Shut-down Device Group)	131
空调压缩机结合组(Air Conditioning Compressor Group)	133
空压机结合组(Air Compressor Group)	135
空压机总成(Air Compressor Assembly)	137
液压泵结合组(Hydraulic Pump Group).....	139
张紧轮及皮带结合组(Tensioner And Belt Group)	141
起动机结合组(Starter Motor Group).....	143
零件箱结合组(Parts Kit Group)	145
燃油粗滤器(Fuel Coarse Filter)	147
发电机结合组(Alternator Group).....	149
风扇托架结合组(Fan Bracket Group)	151
发电机支架结合组(Alternator Bracket Group)	153

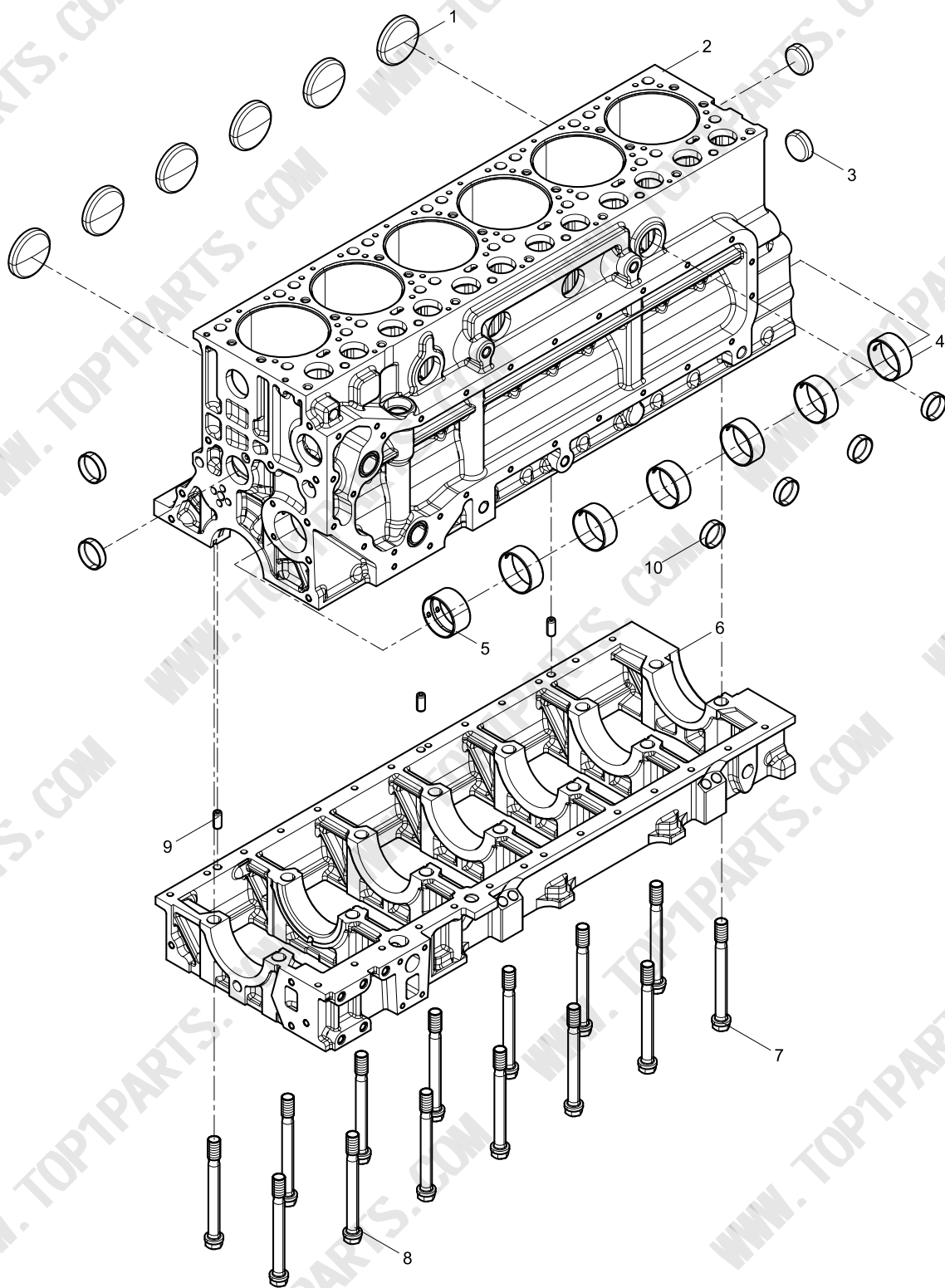
机体结合组(Engine Block Group)



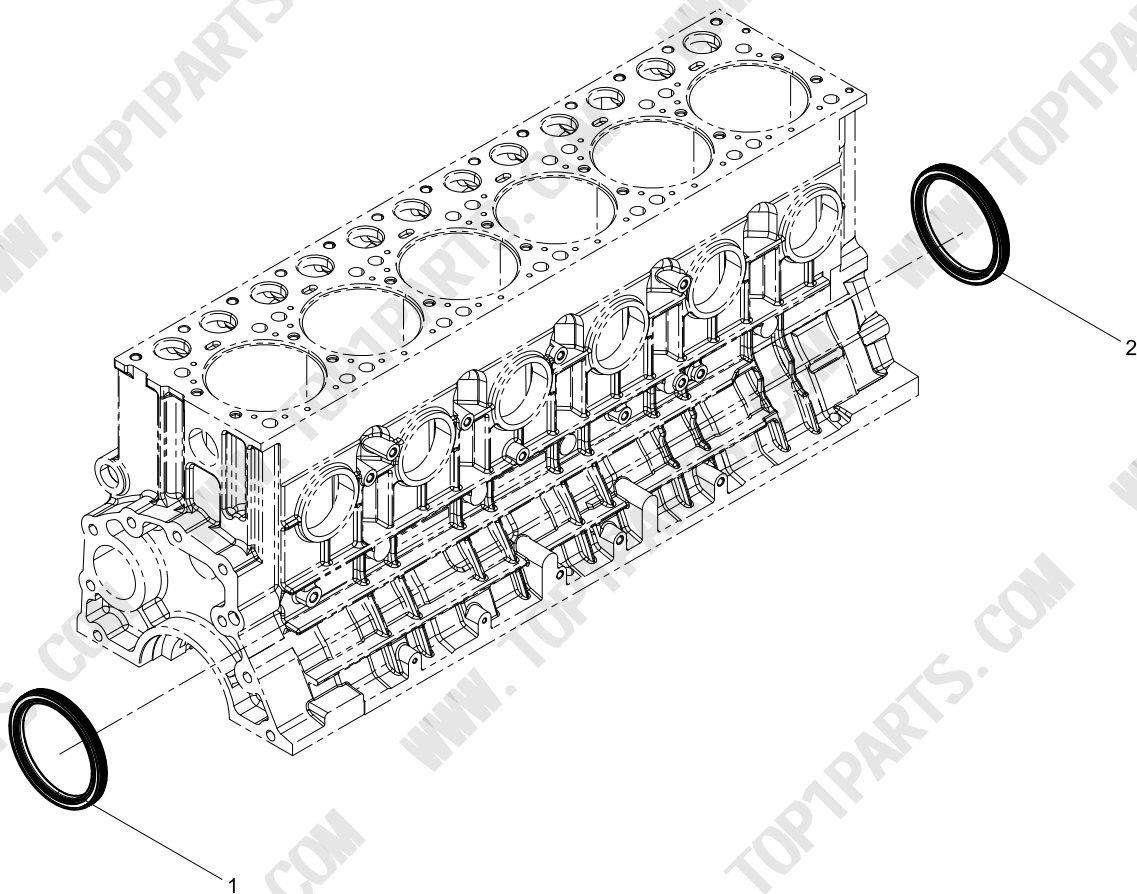
机体总成(crankcase assembly)



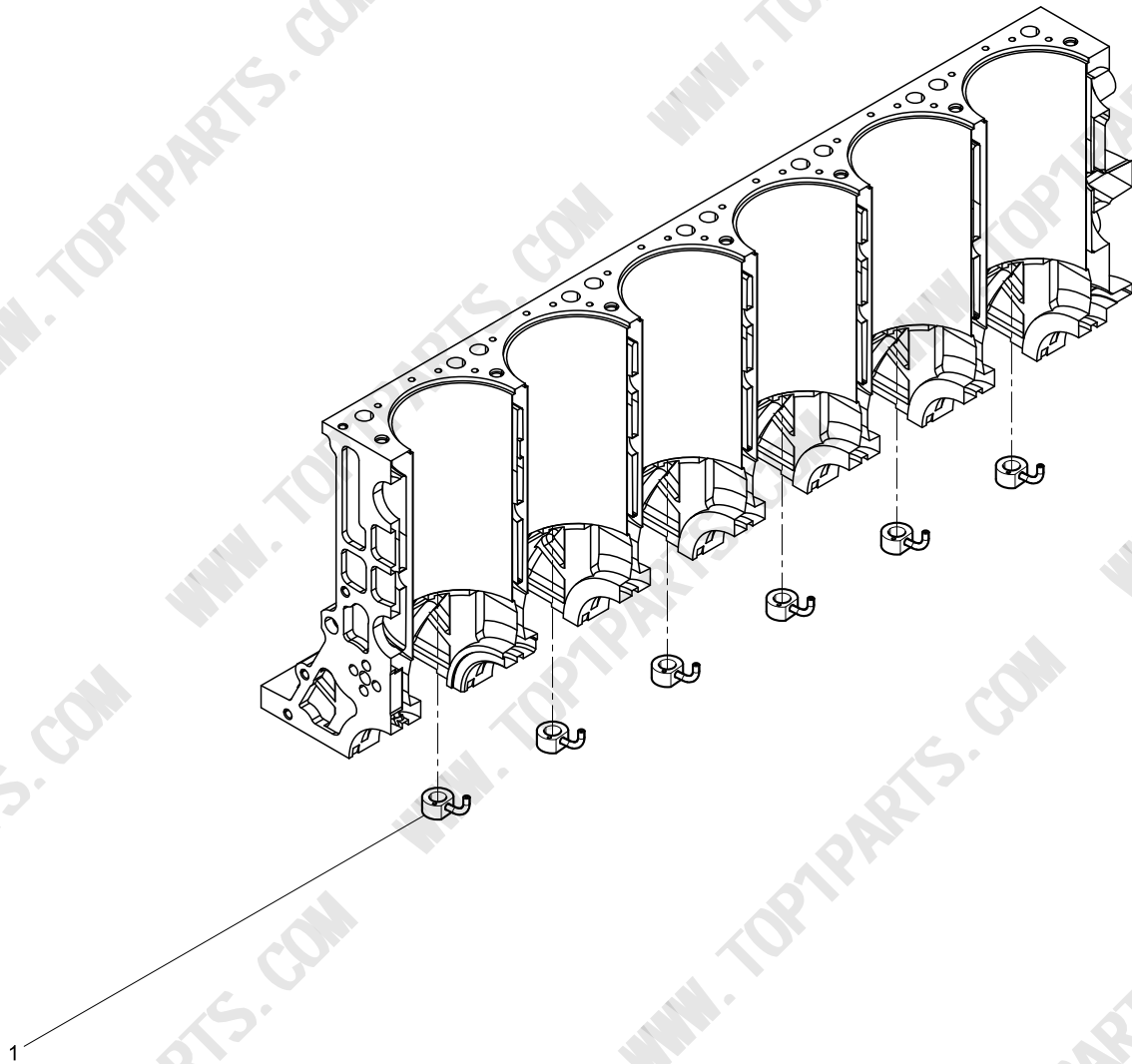
机体预装配(crankcase pre-assembly)



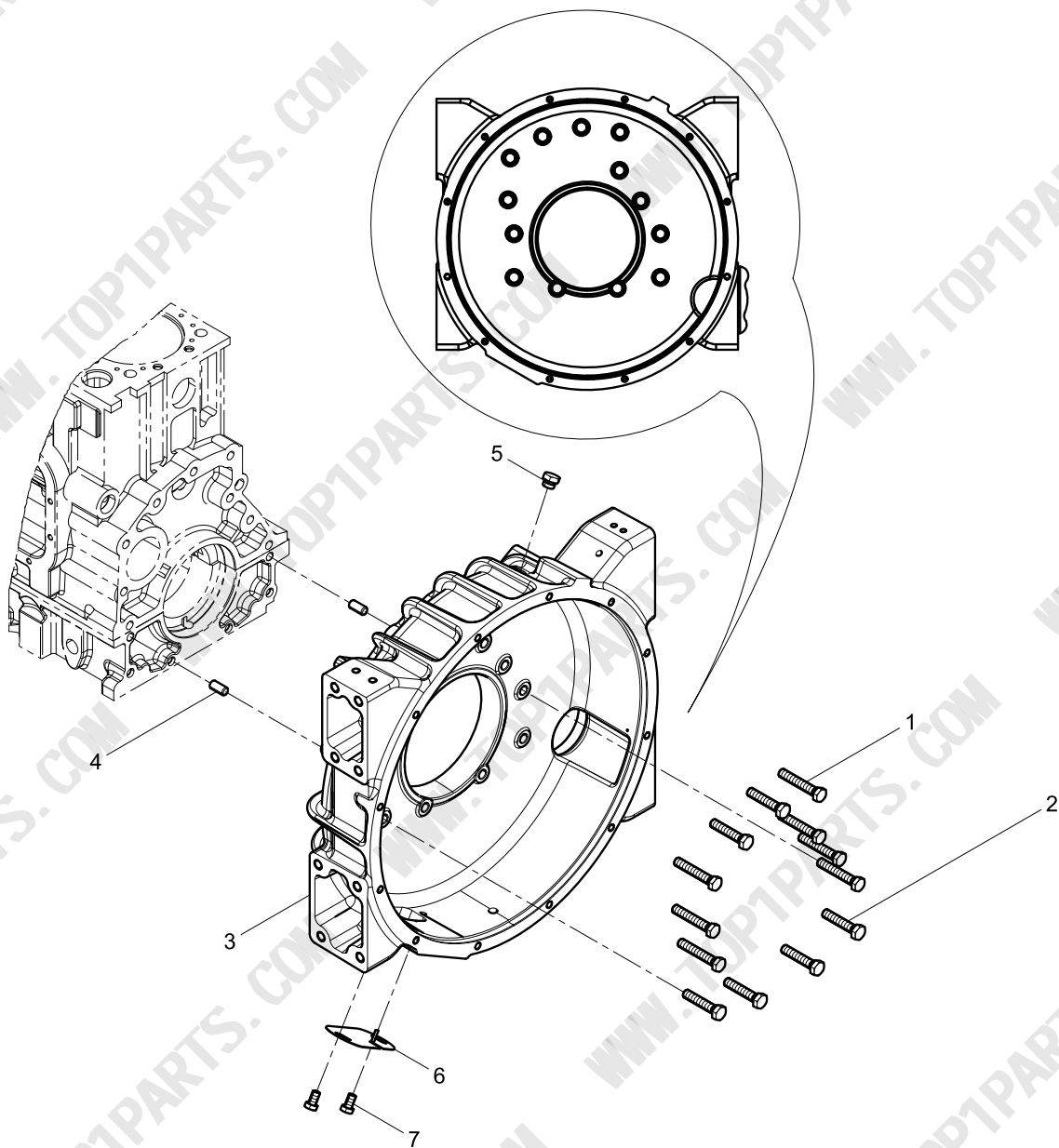
油封结合组(Oil Seal Group)



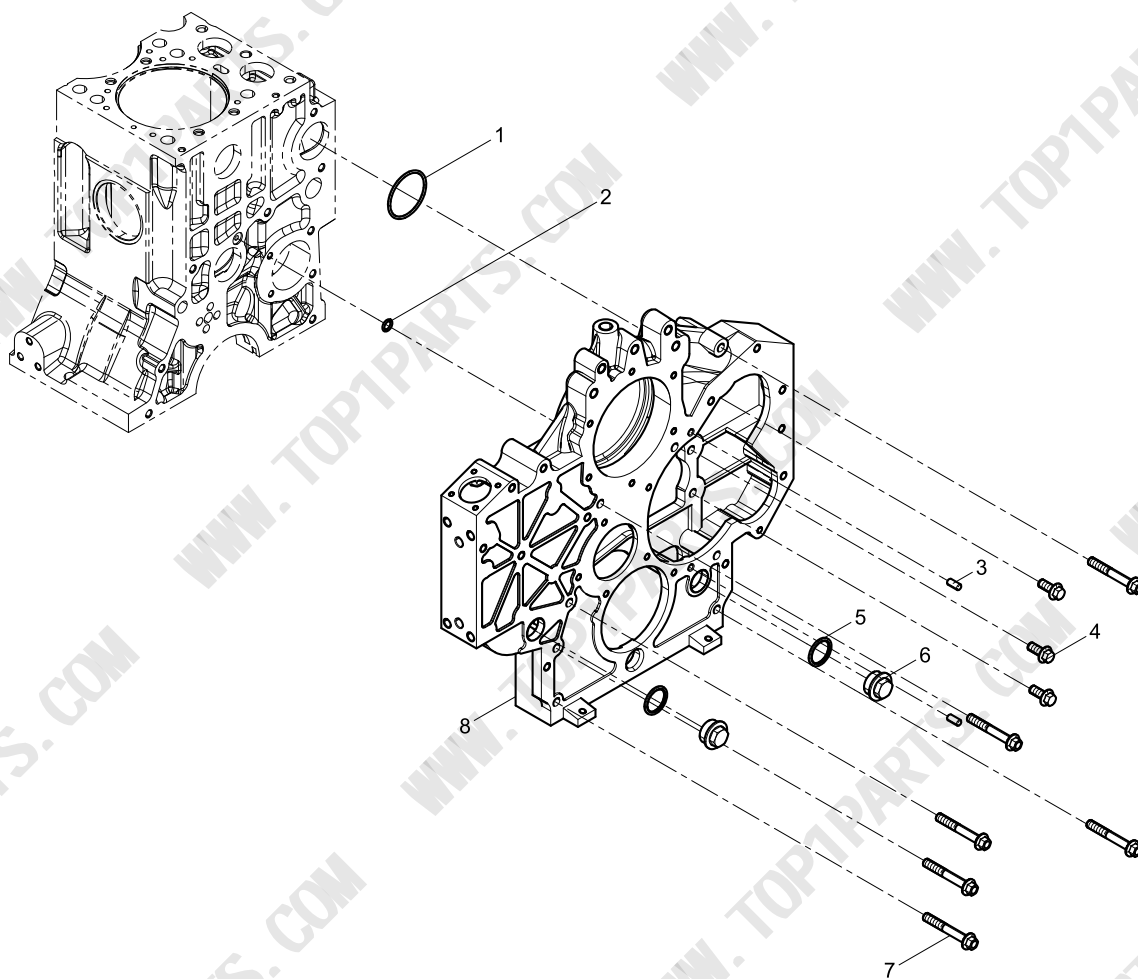
喷嘴结合组(Spray Nozzle Group)



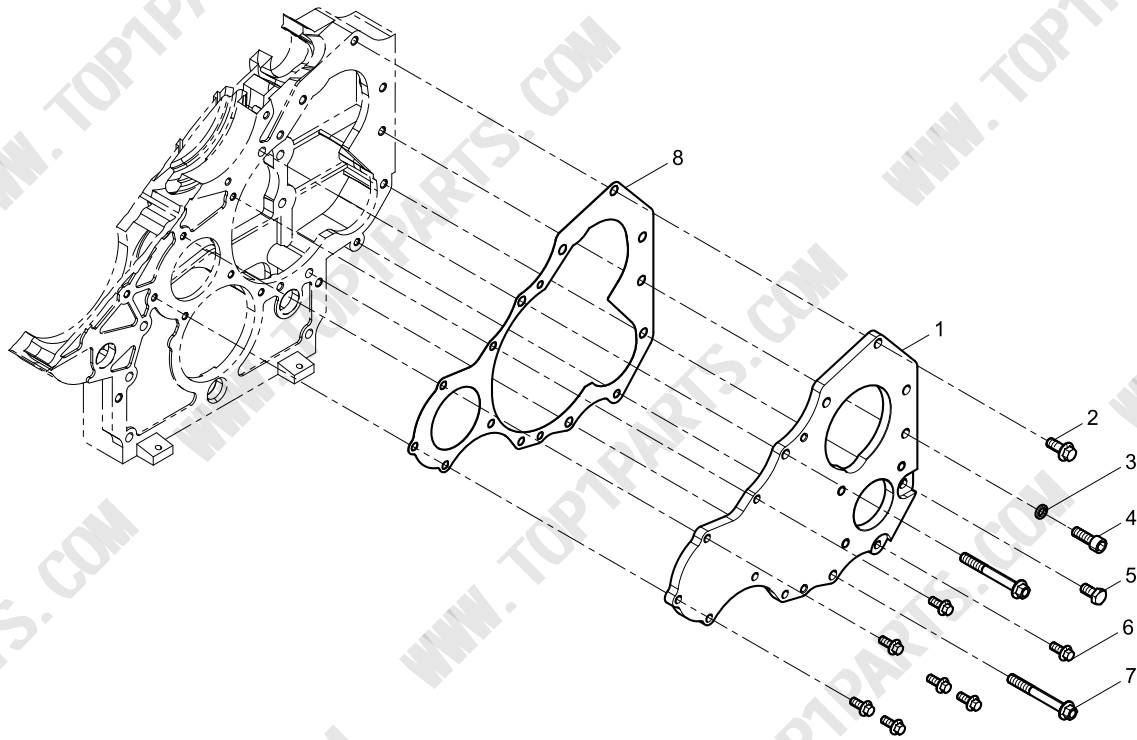
飞轮壳结合组(Flywheel Housing Group)



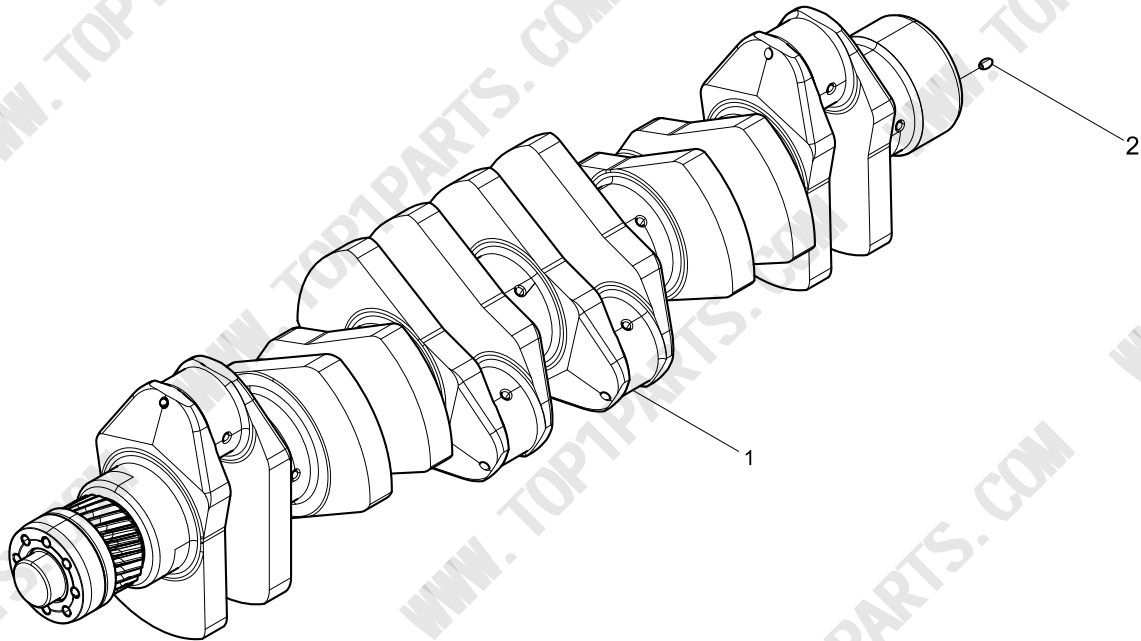
齿轮室结合组(Gear Housing Group)



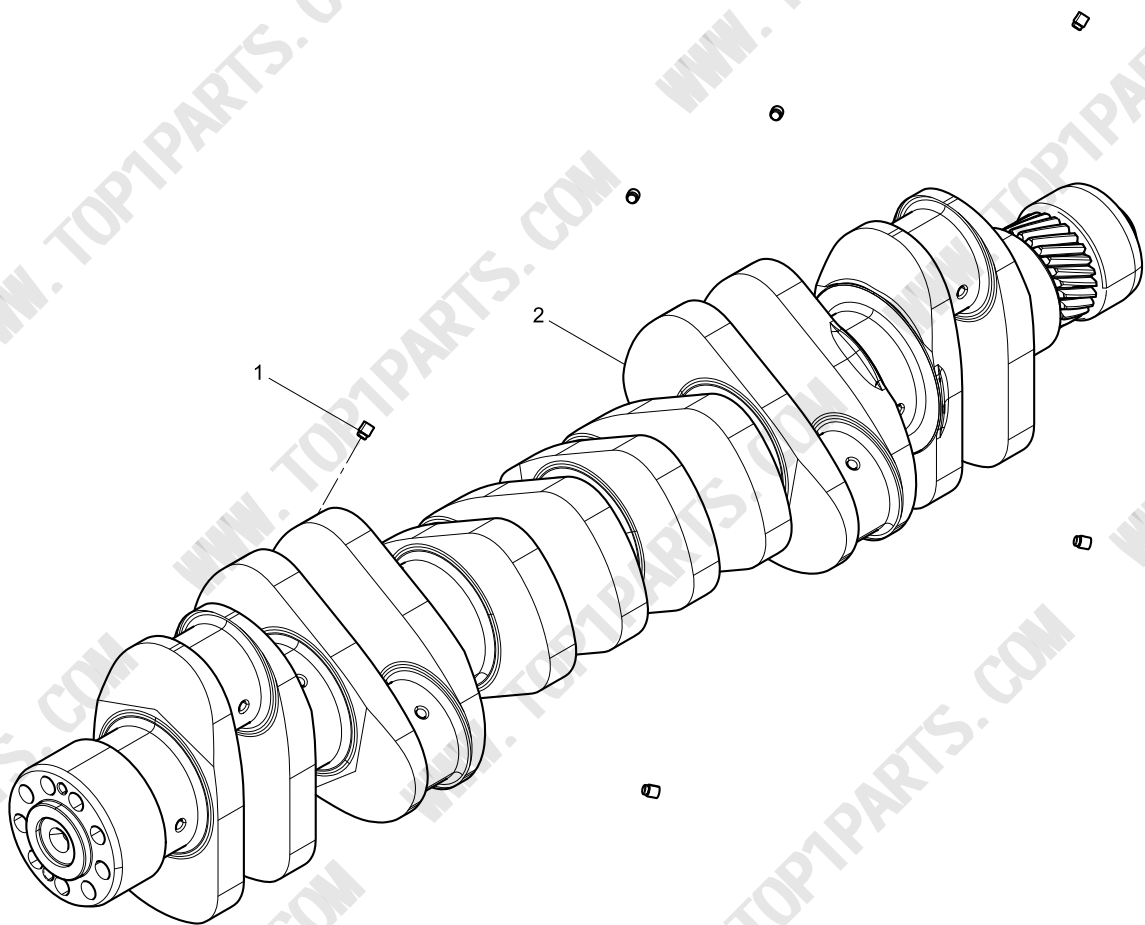
前端盖结合组(Front End Cover Group)



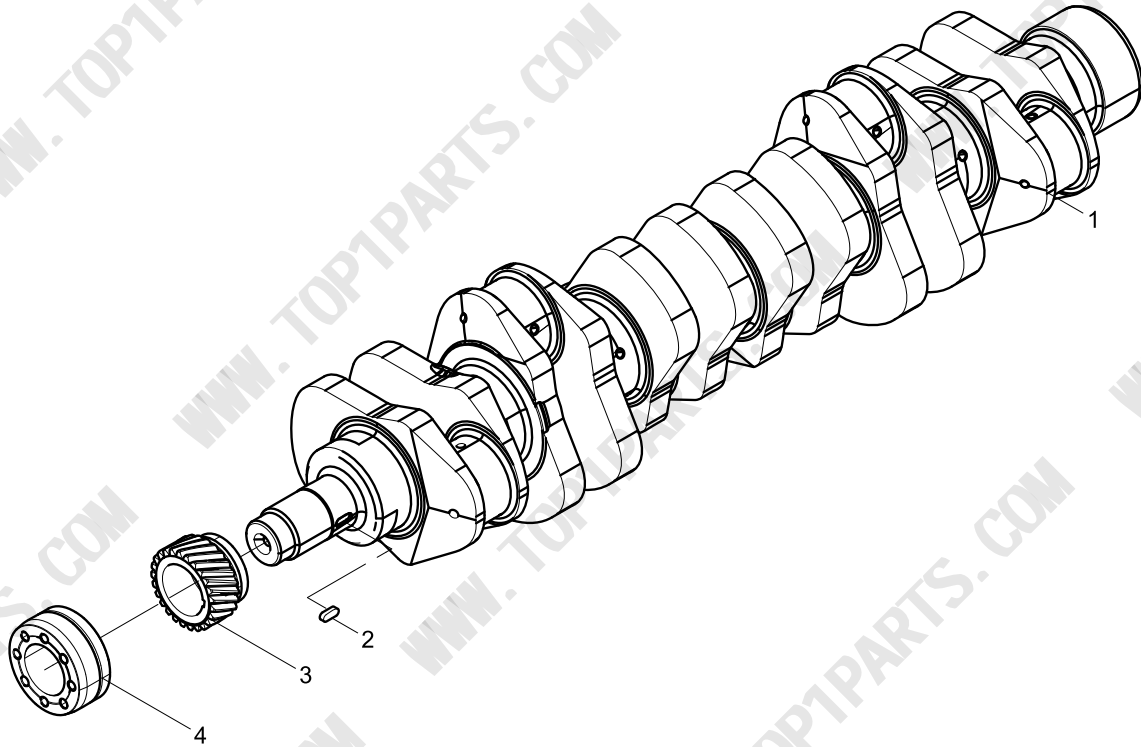
曲轴结合组(Crankshaft Group)



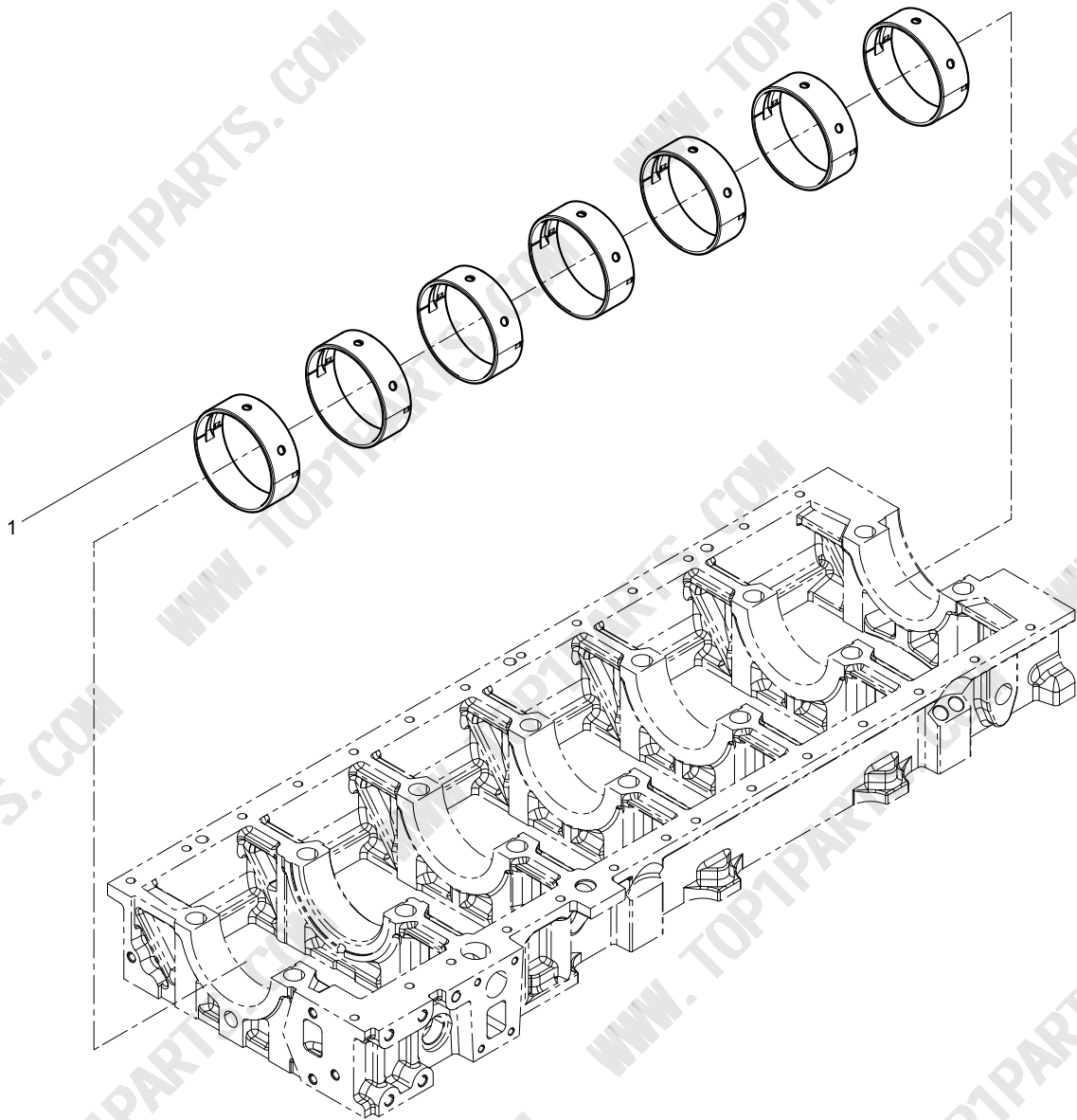
曲轴总成(Crankshaft Assembly)



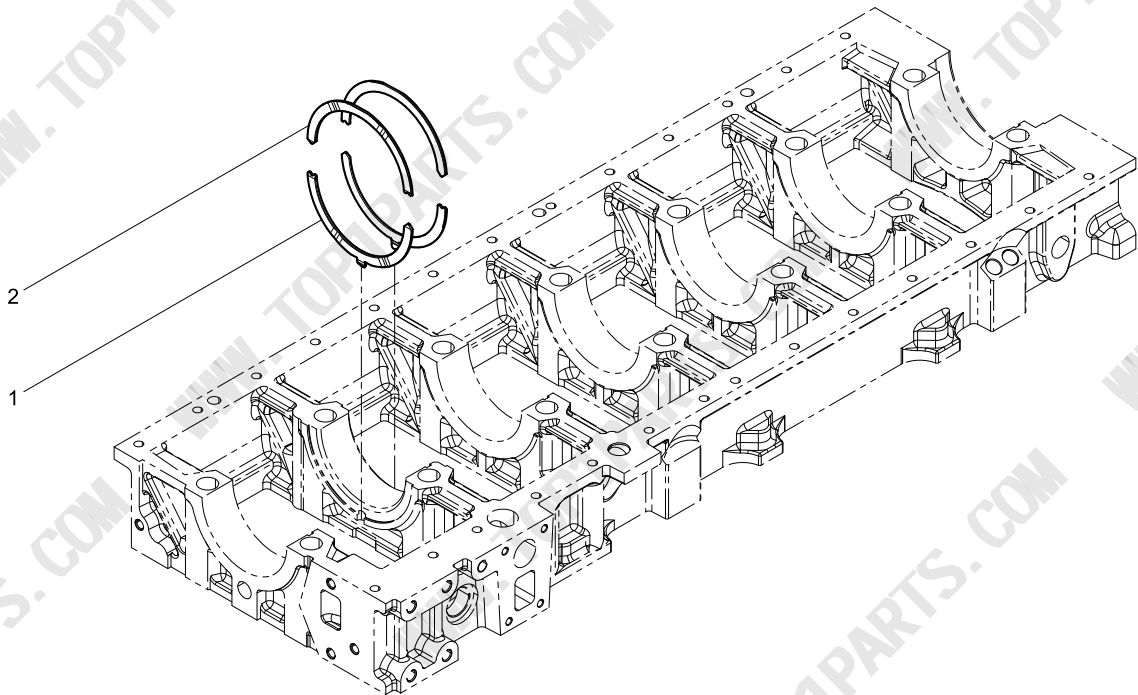
曲轴分总成(Crankshaft Subassembly)



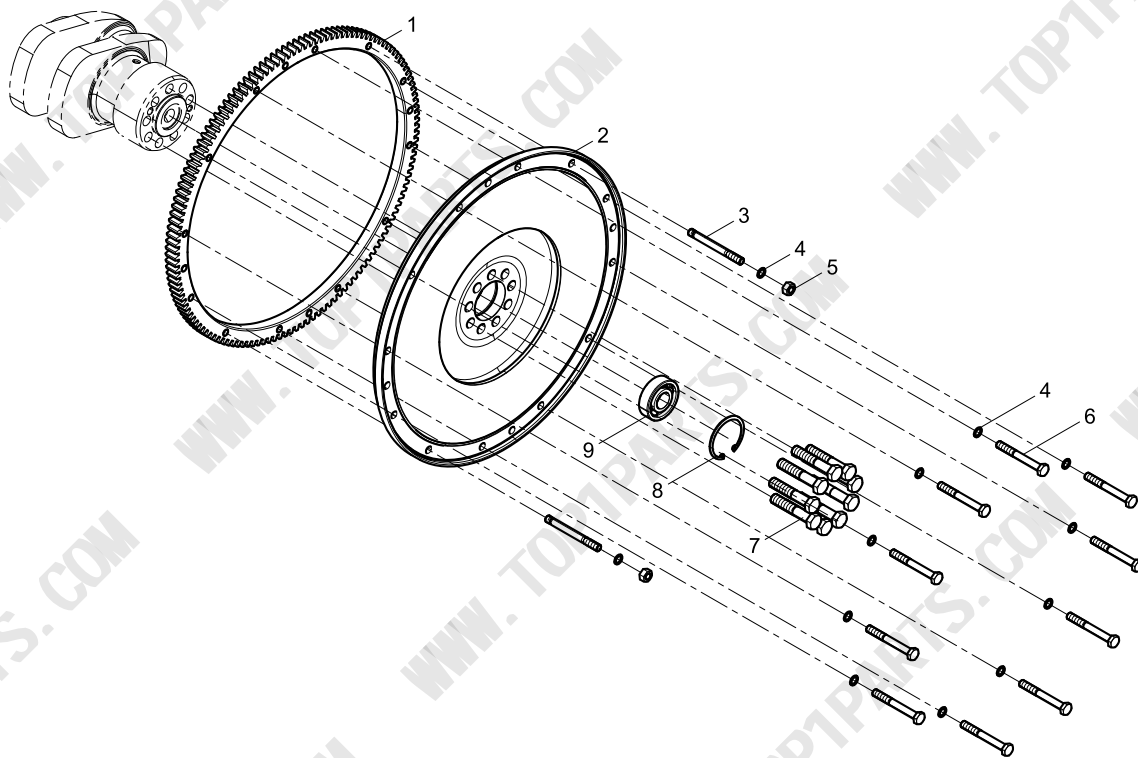
主轴瓦结合组(Main Bearing Group)



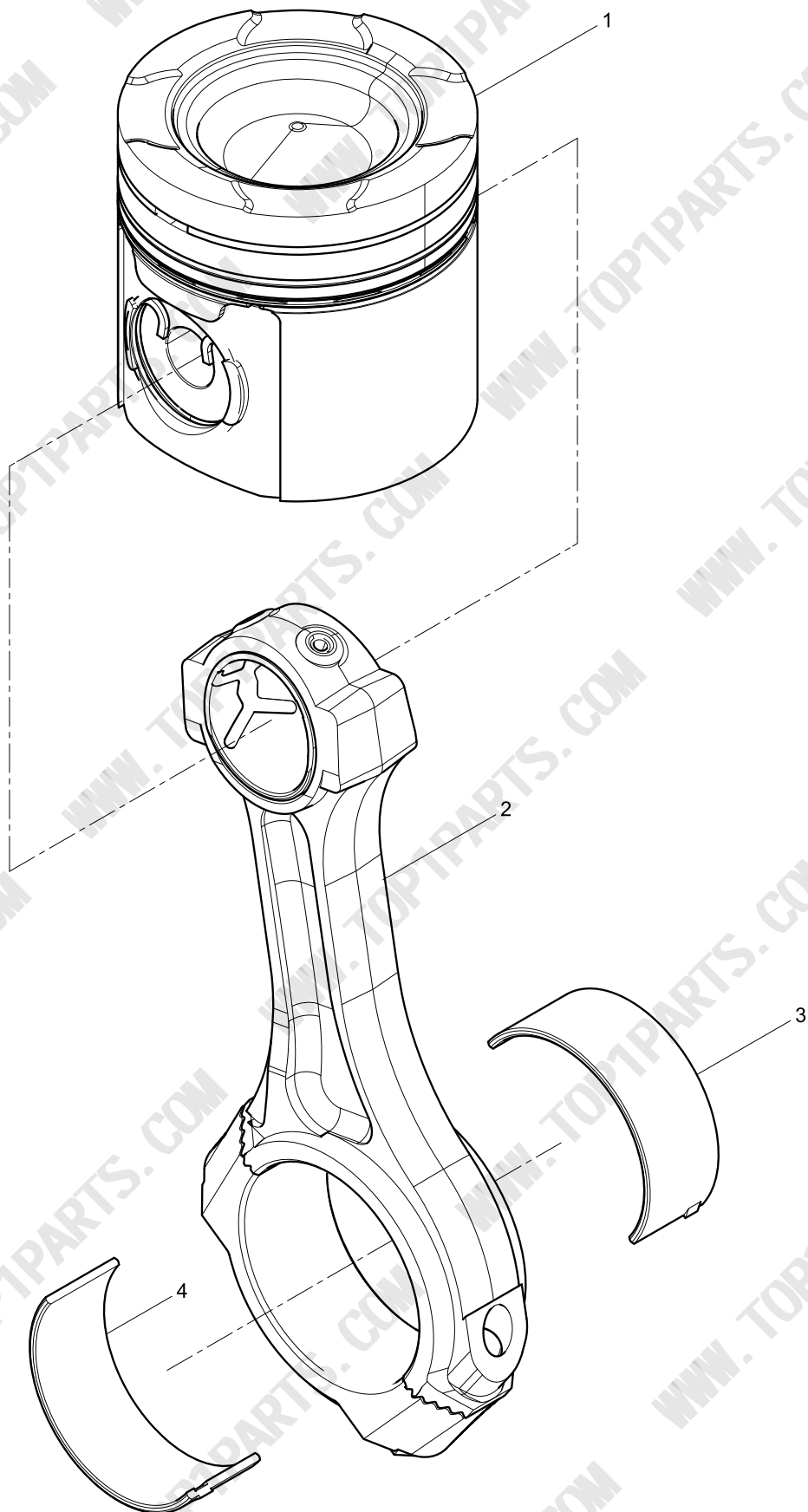
止推片结合组(Thrust Plate Group)



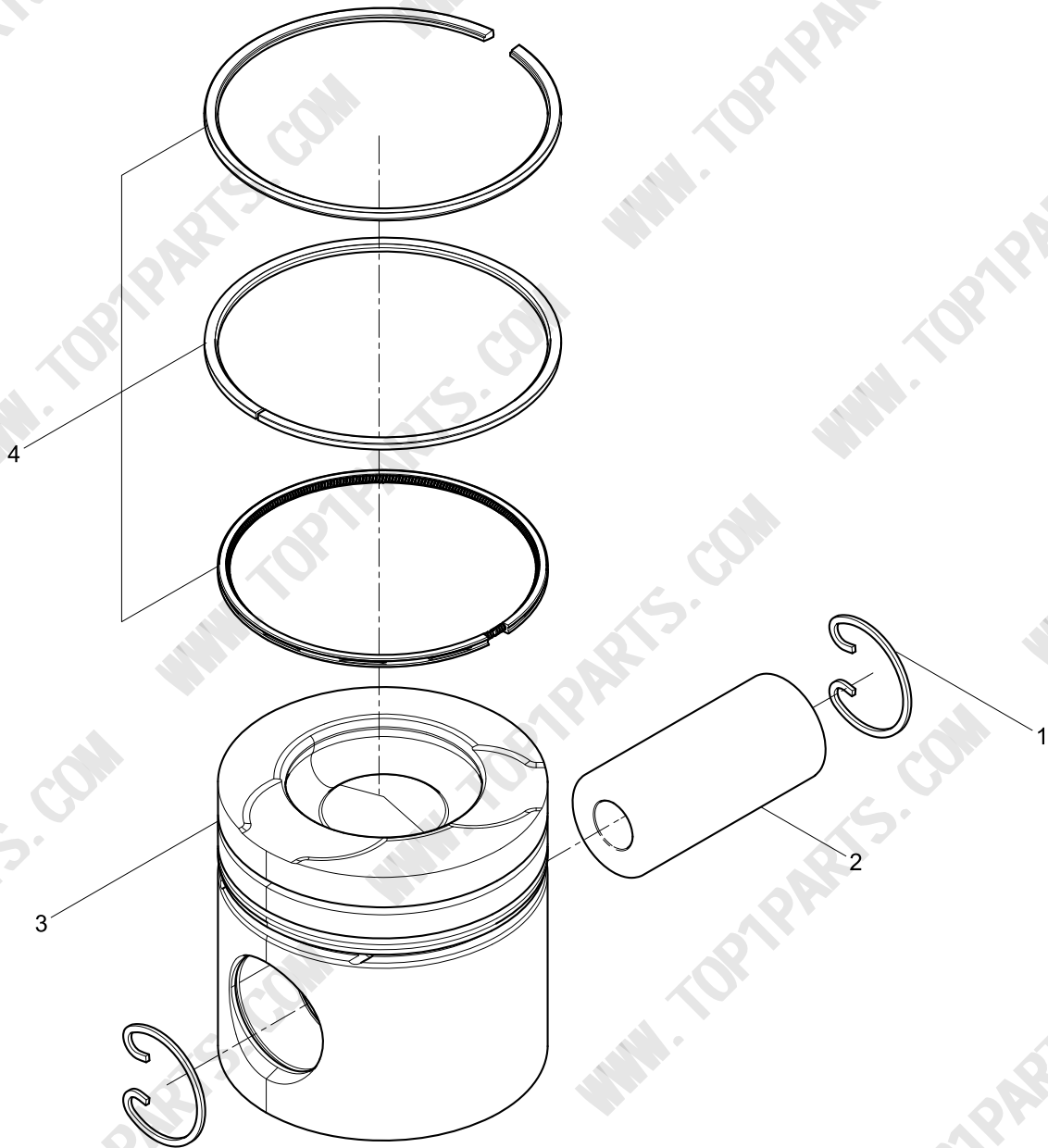
飞轮结合组(Flywheel Group)



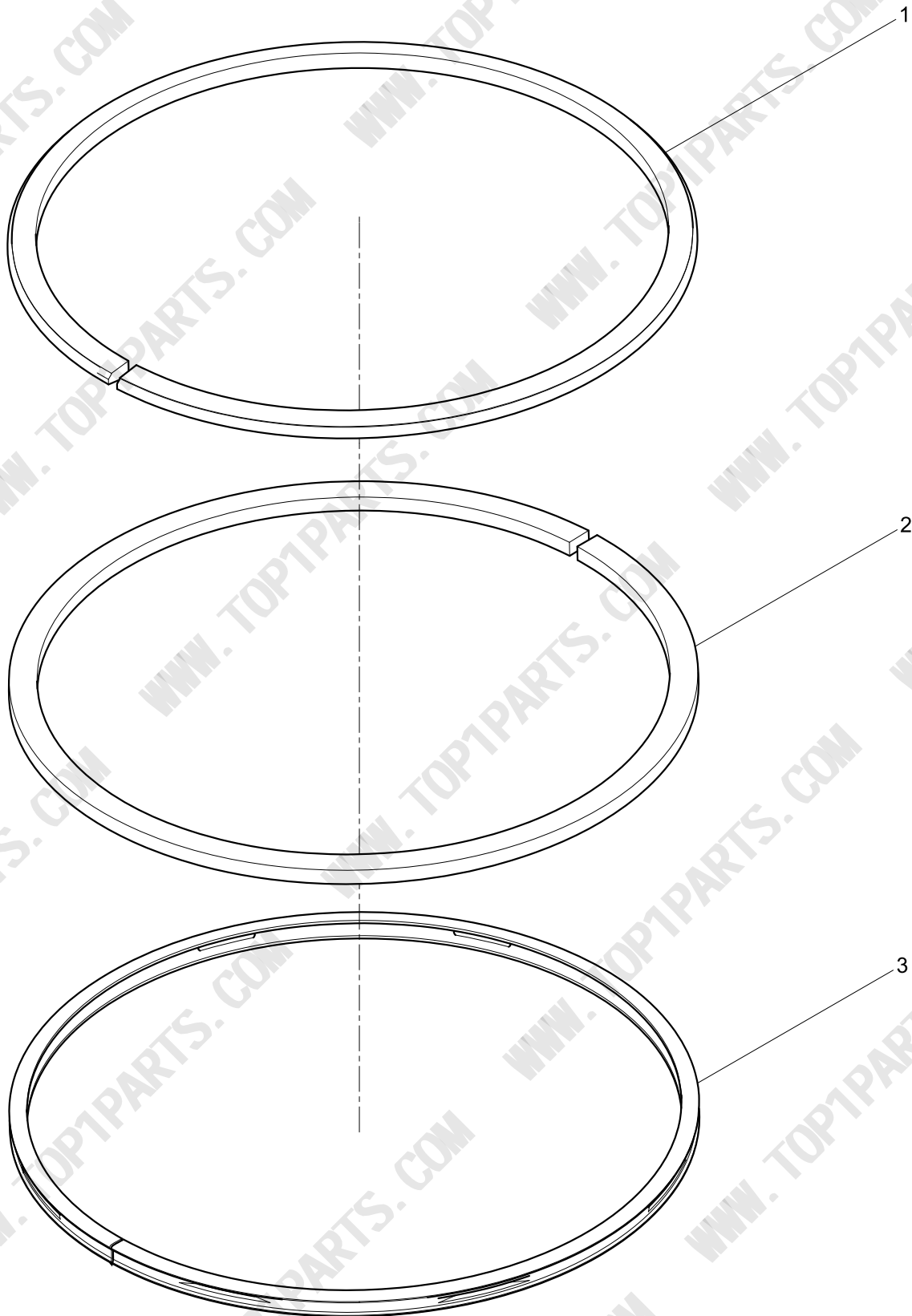
活塞连杆结合组(Piston and Connecting Rod Group)



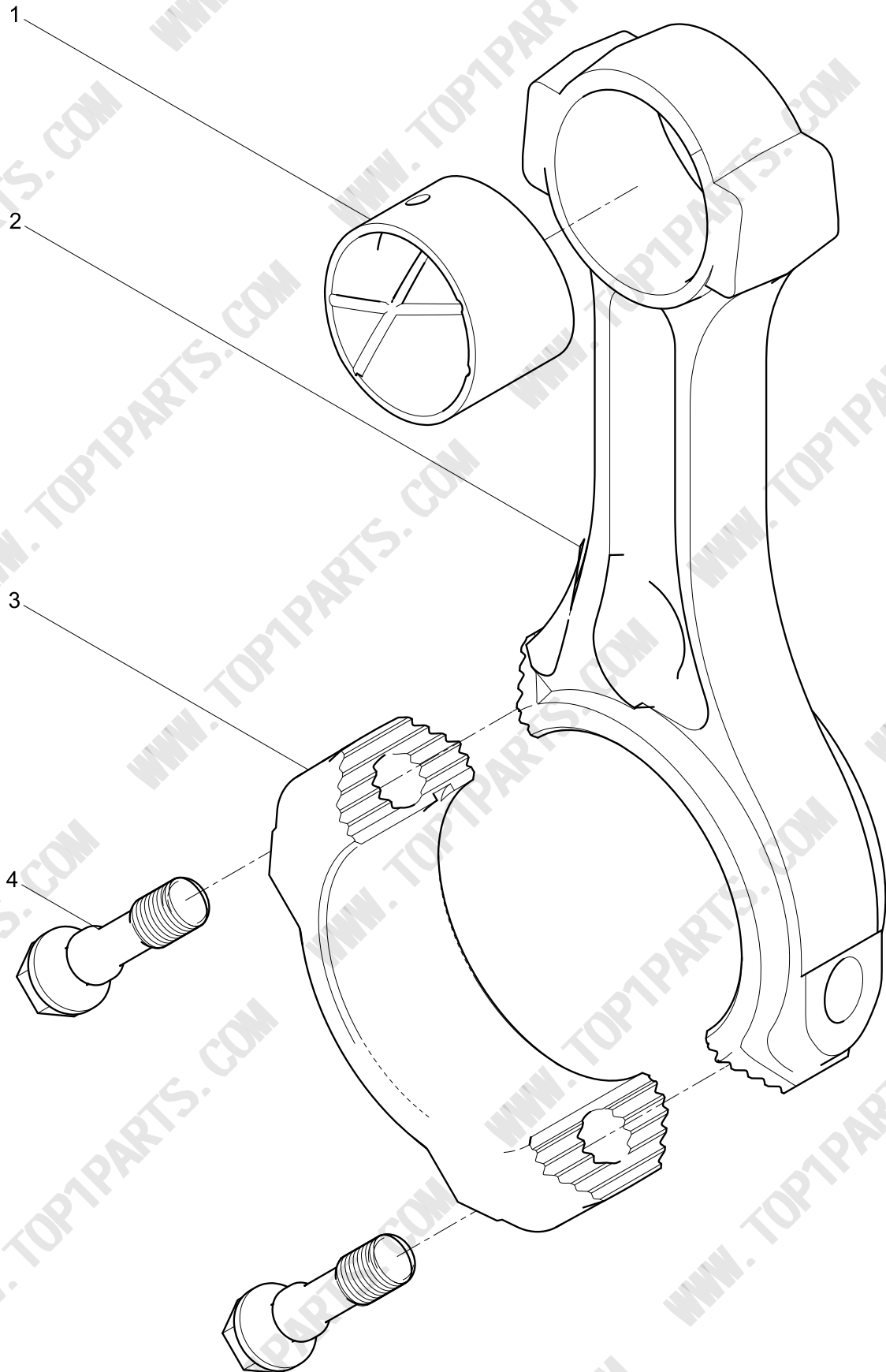
活塞总成(Piston Assembly)



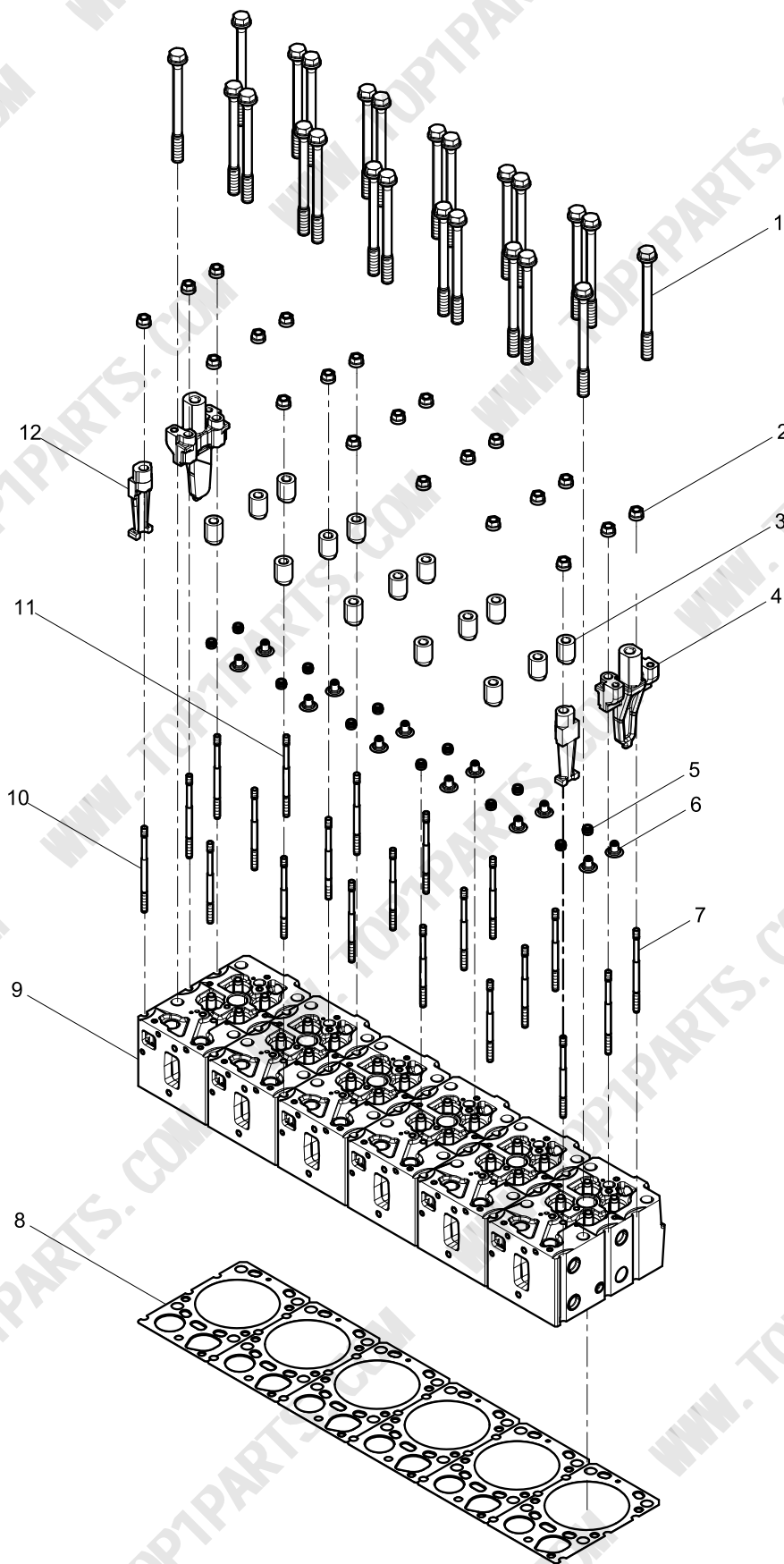
活塞环组件(Piston Ring Set)



连杆总成(Connecting Rod Assembly)



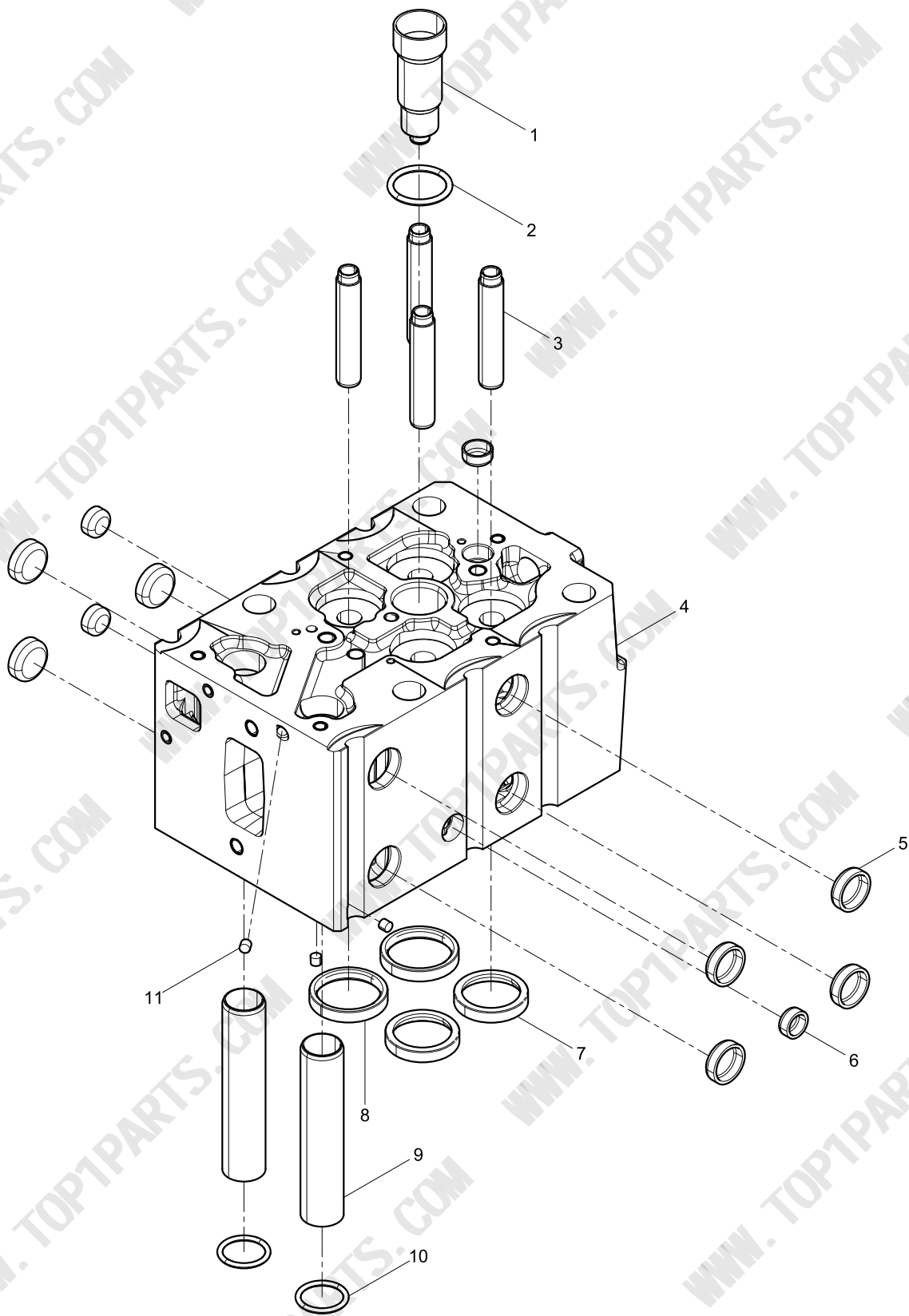
气缸盖结合组(Cylinder Head Group)



气缸盖结合组(Cylinder Head Group)

图序号 Pos.	件号 Part Number	数量 Qty.	中文名称	Part Name
1	612600040452	24	气缸盖主螺栓	Cylinder Head Main Bolt
2	61200040034	21	气缸盖螺母	Cylinder Head Nut
3	61200040023	15	夹紧块	Clamp
4	612650040025	2	吊环夹紧块	Lifting Clamp
5	61800050151	12	气门杆密封套	Valve Stem Seal
6	1000549569	12	气门杆密封套	Valve Stem Seal
7	612600010893S	4	气缸盖螺栓	Cylinder Head Bolt
8	612600040646	6	气缸盖垫片	Cylinder Head Gasket
9	1002315422	6	气缸盖分总成	Cylinder Head Subassembly
10	612600014504S	1	气缸盖螺栓	Cylinder Head Bolt
11	61500010185S	16	气缸盖螺栓	Cylinder Head Bolt
12	61200040027	2	夹紧块	Clamp

气缸盖分总成(Cylinder Head Subassembly)

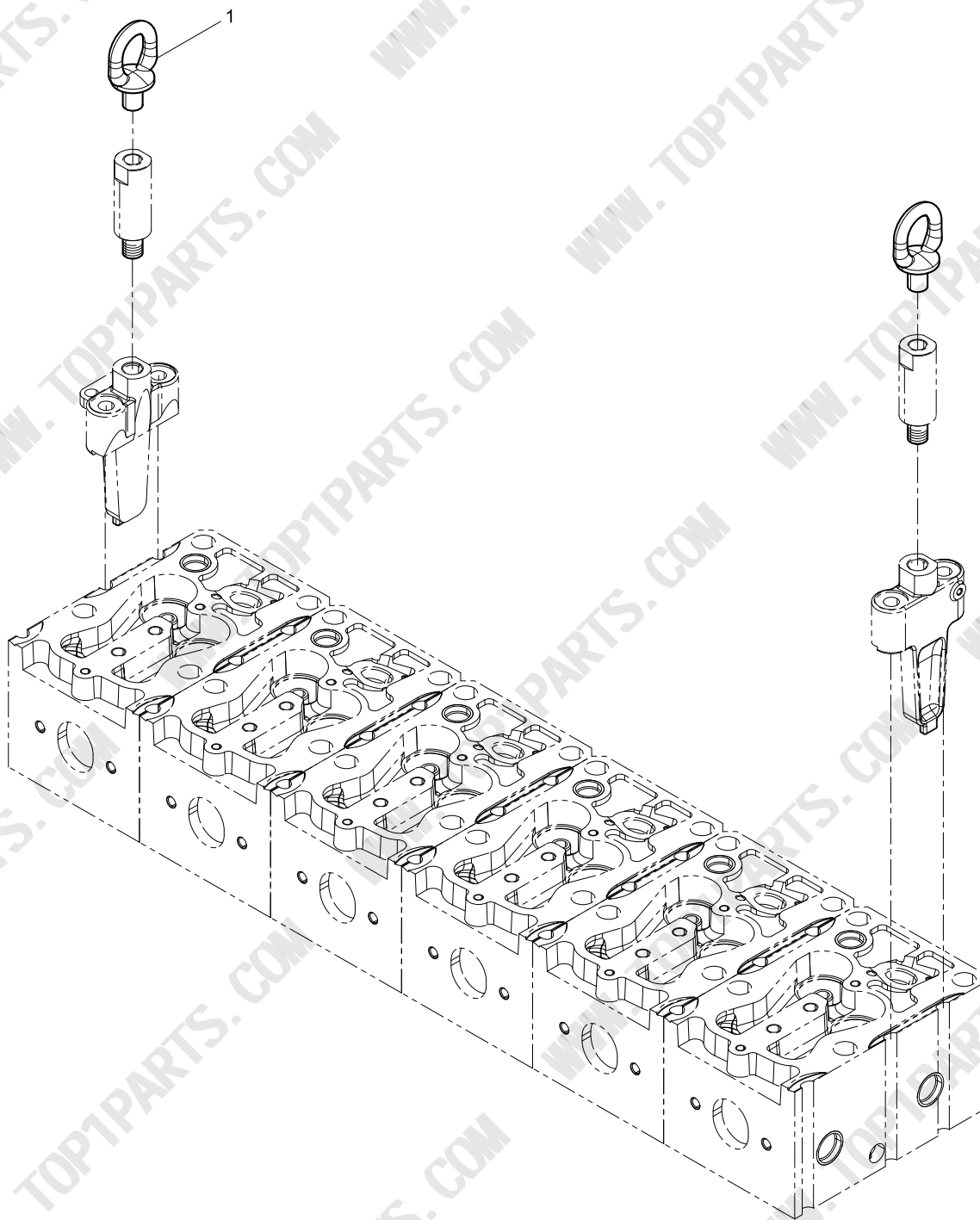




气缸盖分总成(Cylinder Head Subassembly)

图序号 Pos.	件号 Part Number	数量 Qty.	中文名称	Part Name
1	612630040026	1	喷油器衬套	Injector Bush
2	1004257065	1	喷油器衬套密封圈	Injector Bush Sealing Ring
3	612630040181	4	气门导管	Valve Guide
4	1002315443	1	气缸盖	Cylinder Head
5	612600040634	7	碗形塞	Bowl Plug
6	612600040639	4	碗形塞	Bowl Plug
7	612630040076	2	排气门座圈	Exhaust Valve Seat
8	612630040075	2	进气门座圈	Intake Valve Seat
9	1003405748	2	推杆衬套	Push Rod Bush
10	612630040028	2	密封圈	Seal Ring
11	612600040228	3	拉铆钉	Pulling Rivet

吊环结合组(Lift Lug Group)



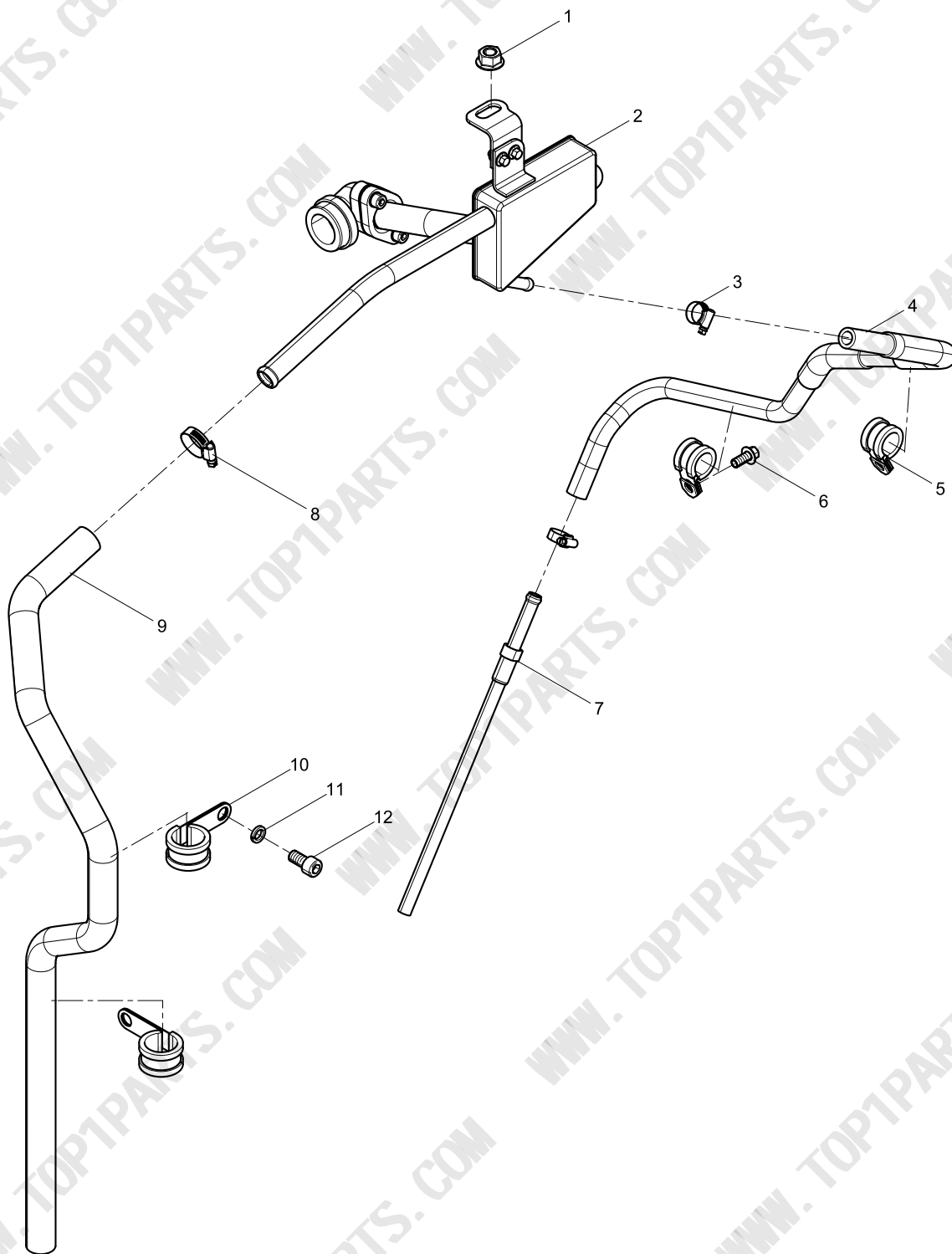
气缸盖罩结合组(Cylinder Head Cover Group)

can't find EPC image!

气缸盖罩结合组(Cylinder Head Cover Group)

图序号 Pos.	件号 Part Number	数量 Qty.	中文名称	Part Name
	612650040026	6	气缸盖罩	Cylinder Head Cover
	612650040011	6	气缸盖罩垫片	Cylinder Head Cover Gasket
	612630040144	22	六角法兰面螺栓	Hexagon Flange Bolt
	612600040734	3	支撑块	Back-up Block
	90003932023	7	波形弹性垫圈	Wave Spring Washer
	1000907689	5	支撑块	Back-up Block
	1012875881	1	气缸盖罩结合组支撑块安装示意图	气缸盖罩结合组支撑块安装示意图

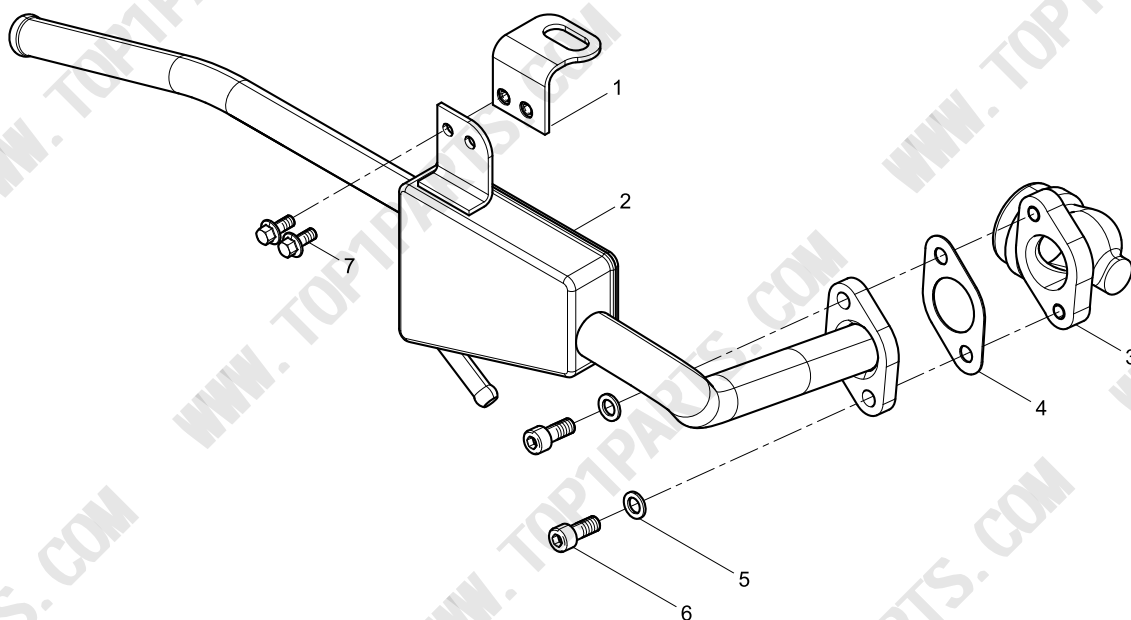
油气分离器结合组(Oil-gas Separator Group)



油气分离器结合组(Oil-gas Separator Group)

图序号 Pos.	件号 Part Number	数量 Qty.	中文名称	Part Name
1	90012290003	1	六角法兰面螺母	Hexagon Flange Nut
2	1000291144	1	油气分离器	Oil-gas Separator
3	90003989300	2	卡箍	Clamp
4	1000293525	1	油气分离器回油管	Oil-gas Separator Oil-return Pipe
5	612600111639	2	管夹总成	Pipe Clamp Assembly
6	9000000078	1	六角法兰面螺栓	Hexagon Flange Bolt
7	612600012595	1	管接头	Pipe Joint
8	90003989340	1	卡箍	Clamp
9	1001877674	1	油气分离器出气管	Oil-gas Separator Air-outlet Pipe
10	612600011361	1	管夹总成	Pipe Clamp Assembly
11	90003931122	1	弹簧垫圈	Spring Washer
12	90003862524	1	内六角圆柱头螺钉	Inner Hexagon Socket Head Cap Screw

油气分离器(Oil-gas Separator)

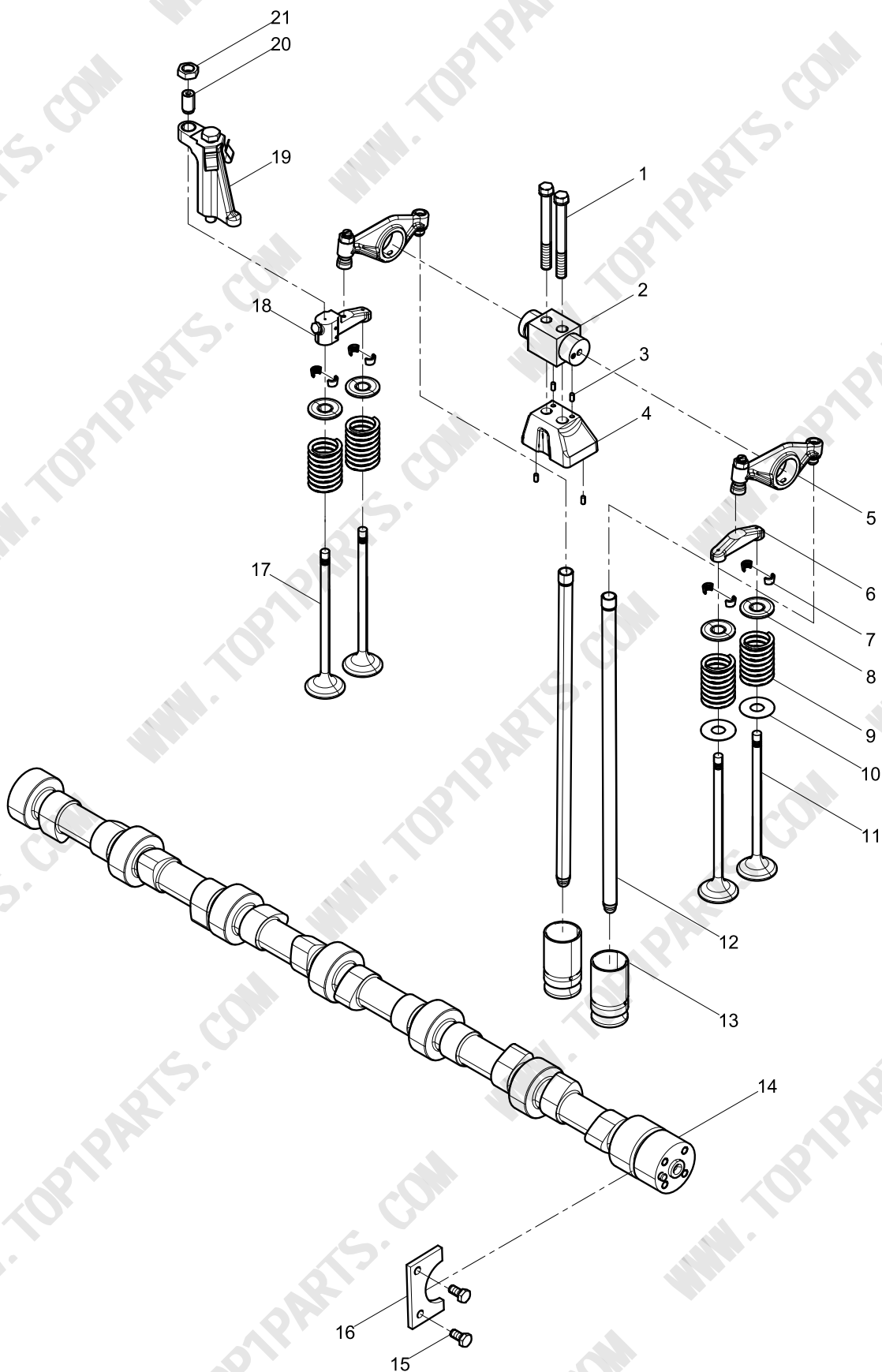




油气分离器(Oil-gas Separator)

图序号 Pos.	件号 Part Number	数量 Qty.	中文名称	Part Name
1	1001020130	1	油气分离器支架	Oil-gas Separator Bracket
2	1000291118	1	油气分离器	Oil-gas Separator
3	612600010150	1	管接头	Pipe Joint
4	612600114282	1	垫片	Gasket
5	90003932023	2	波形弹性垫圈	Wave Spring Washer
6	90003862427	2	内六角圆柱头螺钉	Inner Hexagon Socket Head Cap Screw
7	9000000112	2	六角法兰面螺栓	Hexagon Flange Bolt

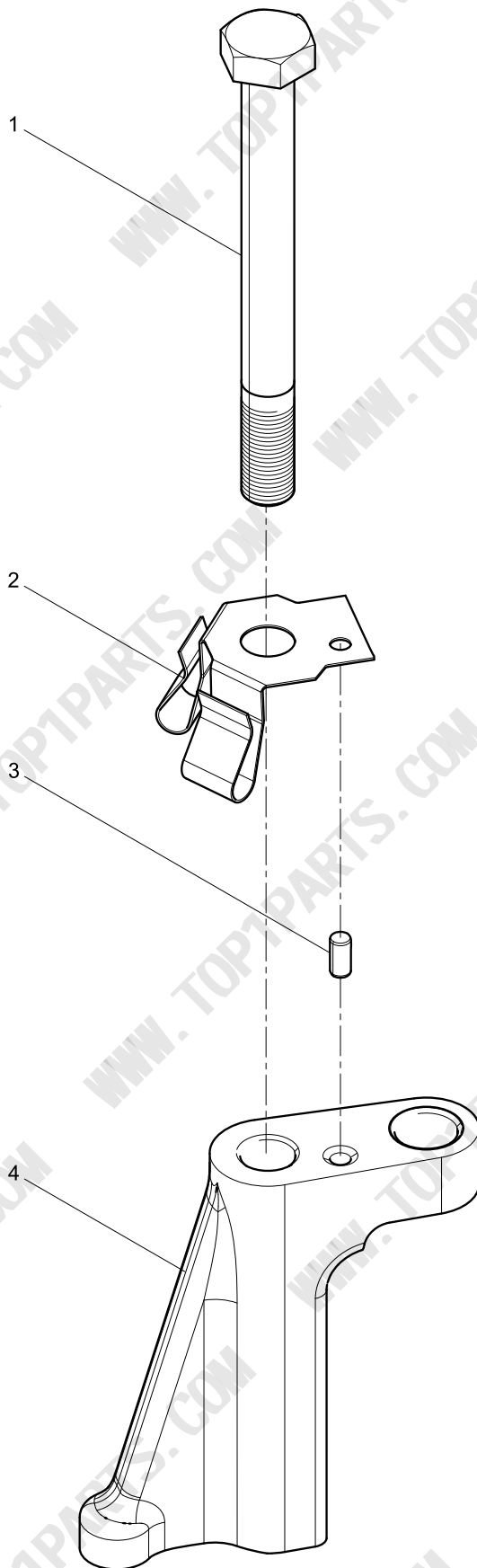
配气机构结合组(Valve Train Group)



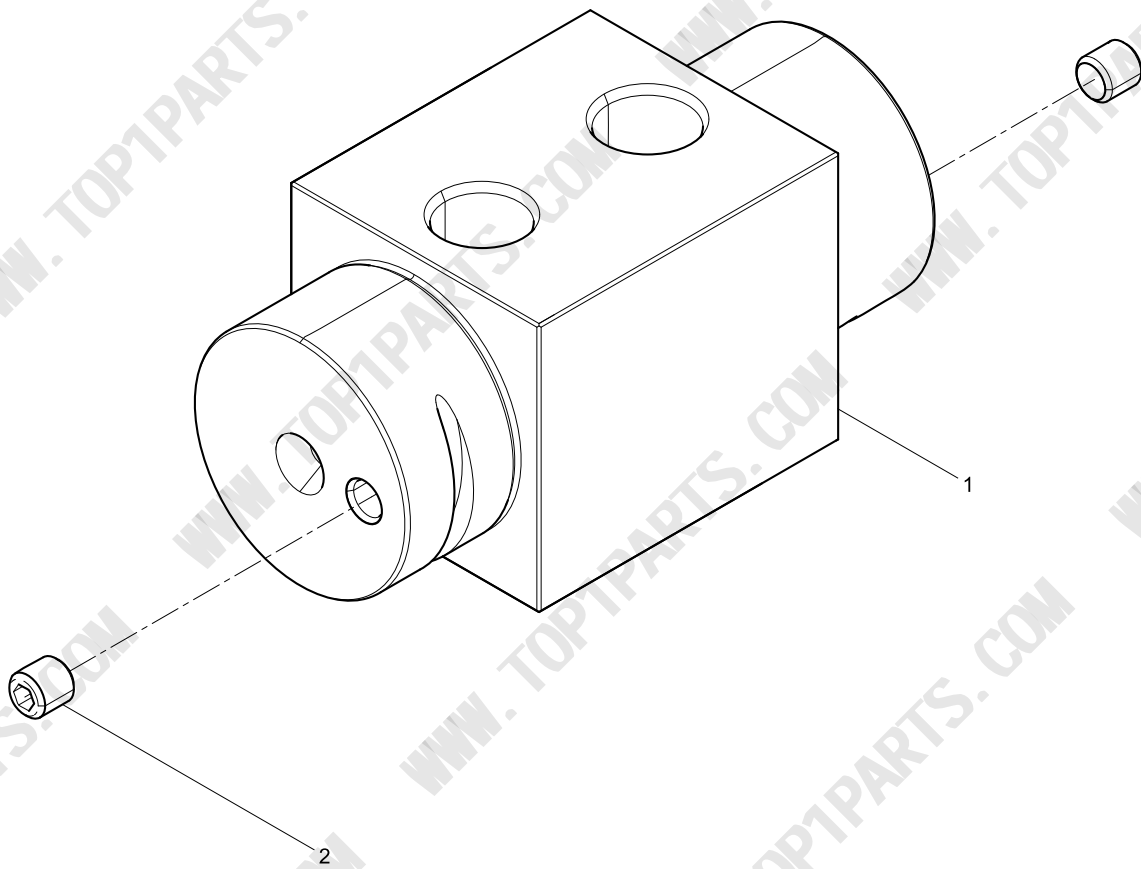
配气机构结合组(Valve Train Group)

图序号 Pos.	件号 Part Number	数量 Qty.	中文名称	Part Name
1	1000271249	12	六角头螺栓	Hexagon Head Bolt
2	612630050018	6	摇臂轴组件	Rocker Arm Shaft Set
3	612639000087	30	圆柱销	Parallel Pin
4	612630050013	6	摇臂座总成	Rocker Arm Bracket Assembly
5	1000881645	12	摇臂组件	Rocker Arm Set
6	612630050009	6	气门桥	Valve Bridge
7	612630050015	48	气门锁夹	Valve Collet
8	612630050014	24	气门弹簧上座	Valve Spring Top Retainer
9	612630050005	24	气门弹簧	Valve Spring
10	612630050019	12	气门弹簧下座	Valve Spring Bottom Retainer
11	612630050146	12	进气门	Intake Valve
12	1000495052	12	推杆	Push Rod
13	61500050032	12	挺柱	Tappet
14	612650050004	1	凸轮轴总成	Camshaft Assembly
15	90003802399S	2	六角头螺栓	Hexagon Head Bolt
16	614050133	1	凸轮轴止推片	Camshaft Thrust Plate
17	612630050002	12	排气门	Exhaust Valve
18	1000495068	6	EVV气门桥总成	EVV Valve Bridge Assembly
19	612630050147	6	EVV支架总成	EVV Bracket Assembly
20	612630050011	6	调整螺钉	Adjusting Screw
21	612630050012	6	调整螺母	Adjusting Nut

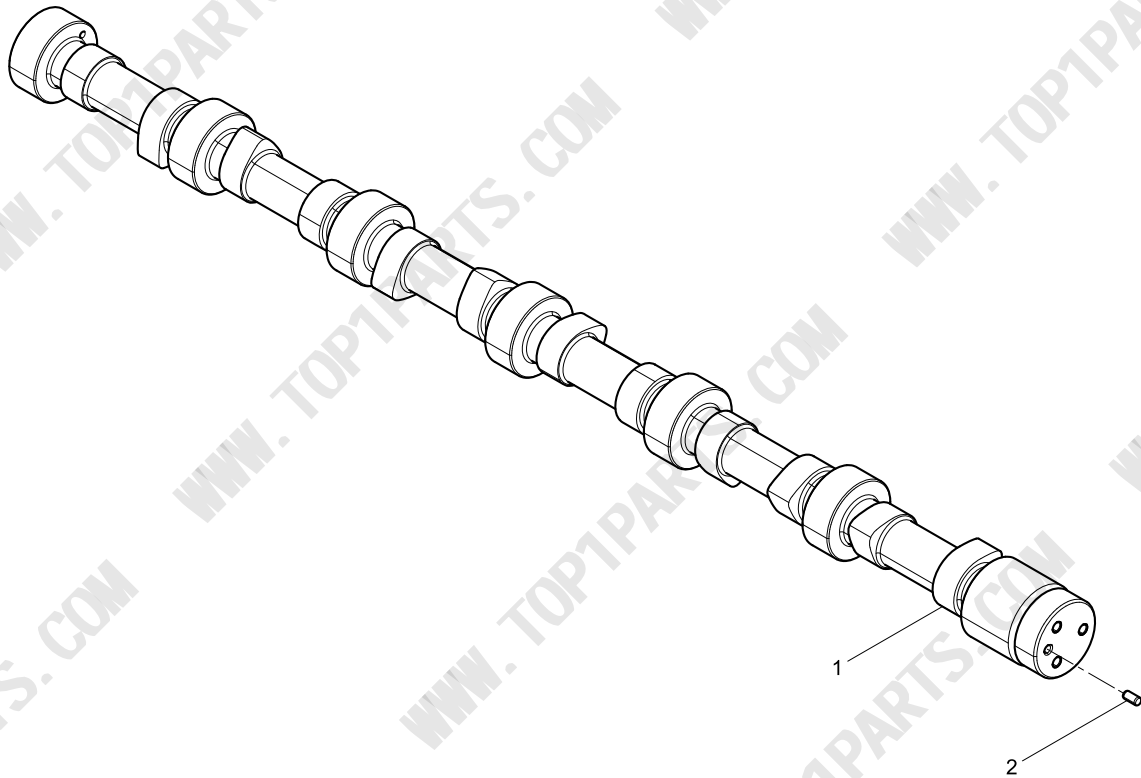
EVB支架总成(EVB Bracket Assembly)



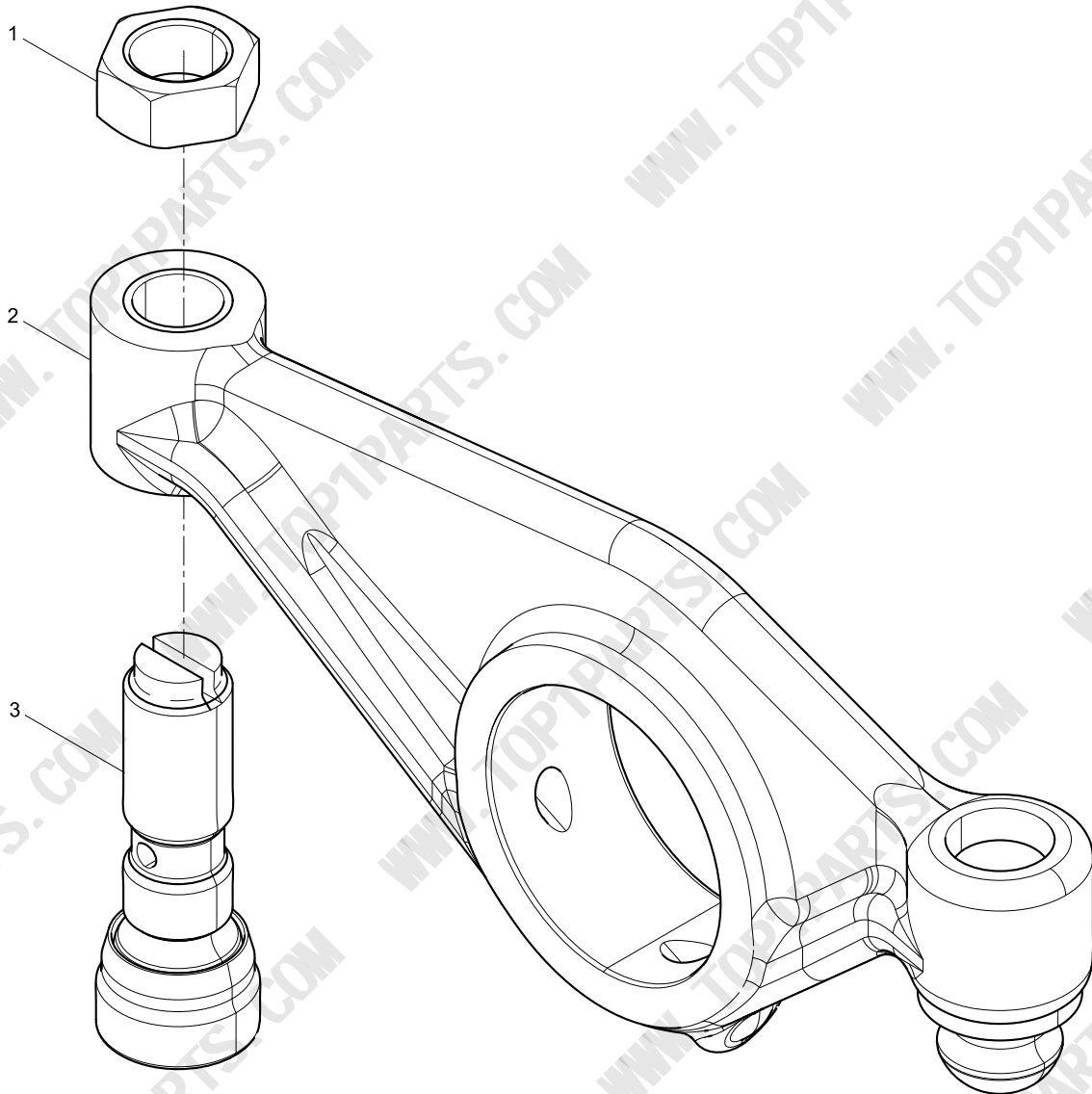
摇臂轴组件(Rocker Arm Shaft Set)



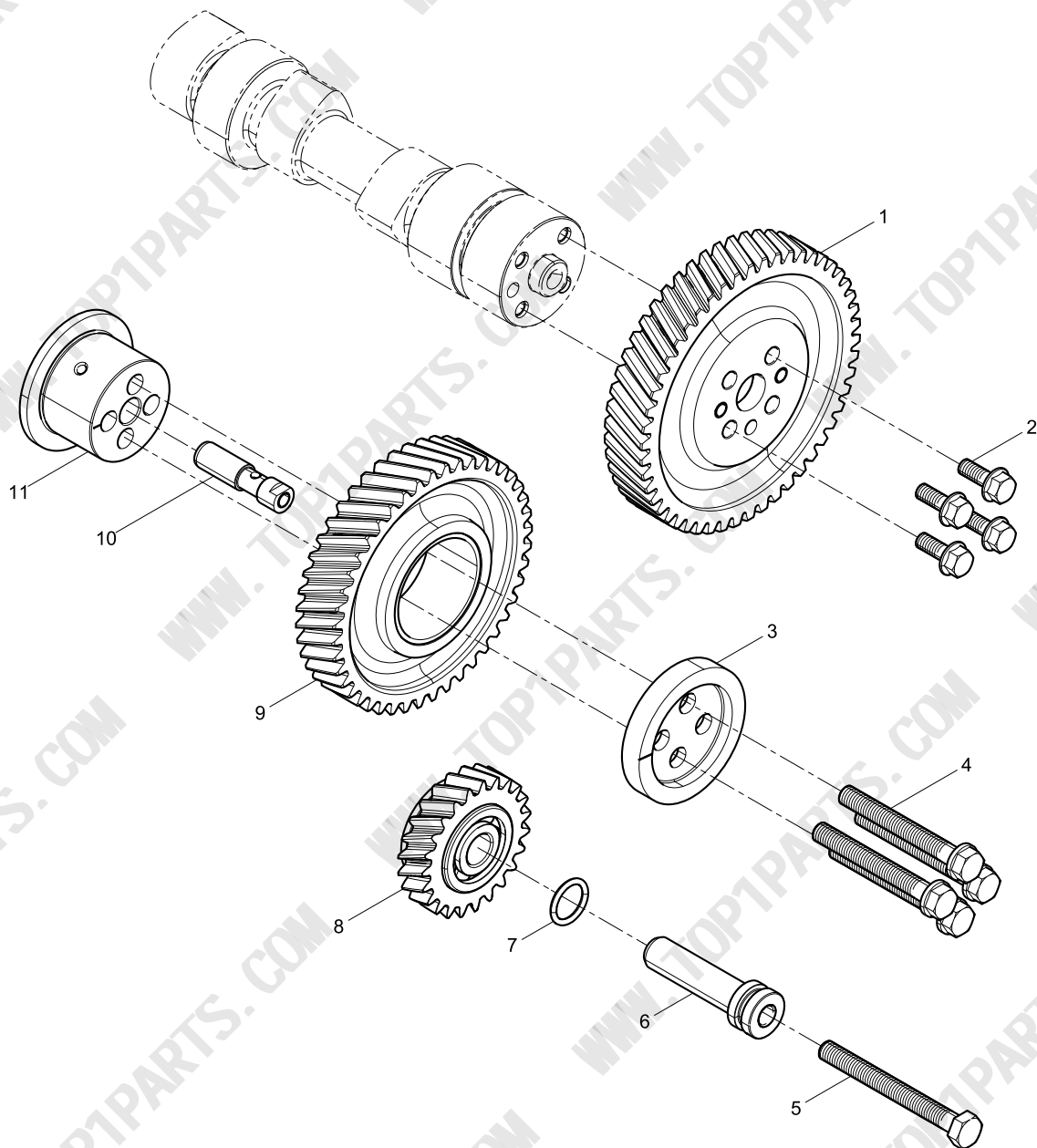
凸轮轴总成(Camshaft Assembly)



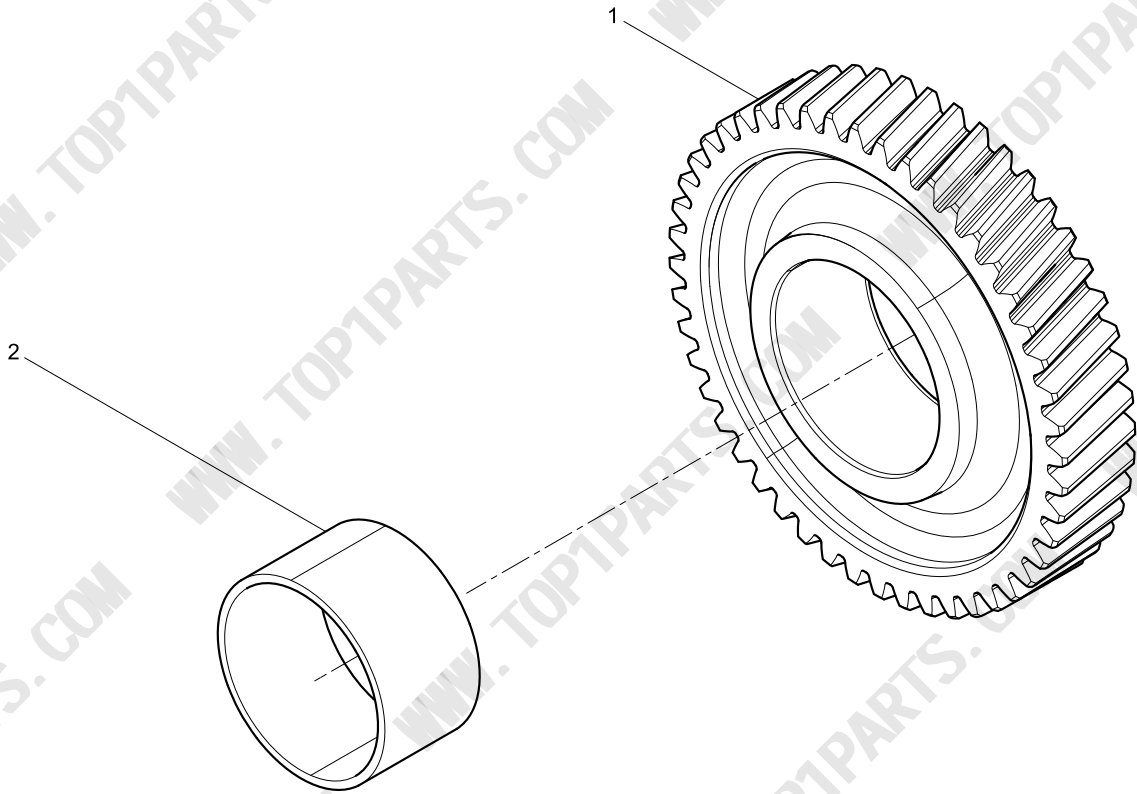
摇臂组件(Rocker Arm Set)



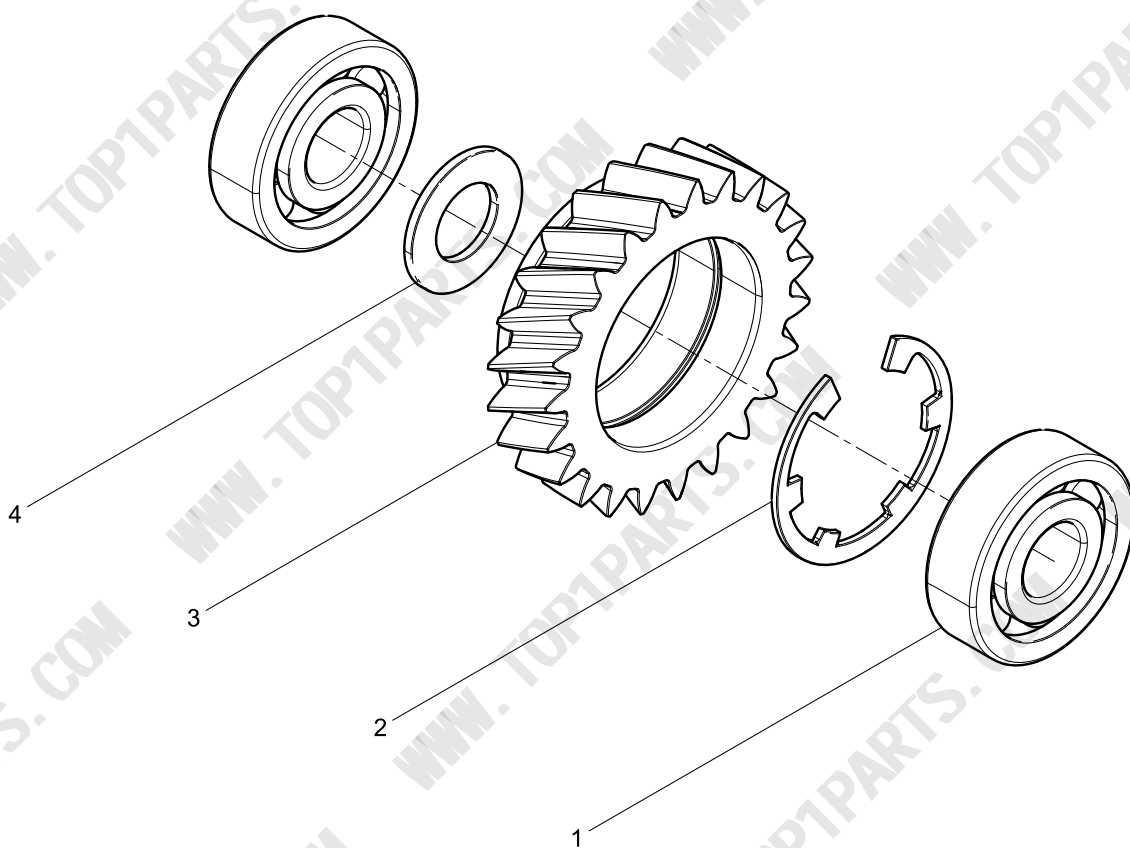
齿轮传动结合组(Gear Drive Group)



中间齿轮总成(Idler Gear Assembly)



机油泵中间齿轮组件(Oil Pump Idle Gear Set)



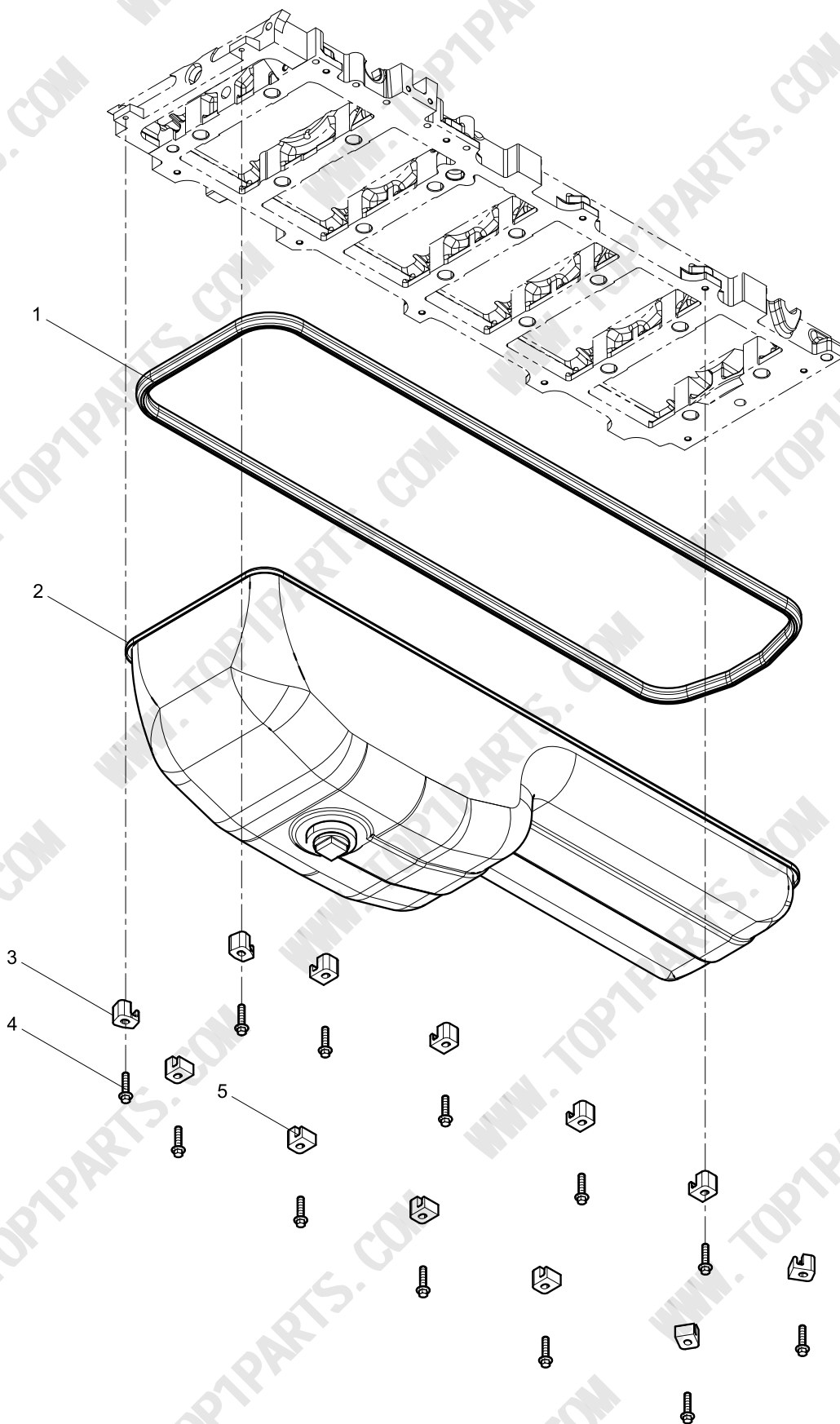
曲轴皮带轮结合组(Crankshaft Pulley Group)

can't find EPC image!

曲轴皮带轮结合组(Crankshaft Pulley Group)

图序号 Pos.	件号 Part Number	数量 Qty.	中文名称	Part Name
	1008656052	1	曲轴皮带轮	Crankshaft Pulley
	612600020940	1	扭振减振器	Torsional Vibration Dampers
	1000059388	8	六角法兰面螺栓	Hexagon Flange Bolt

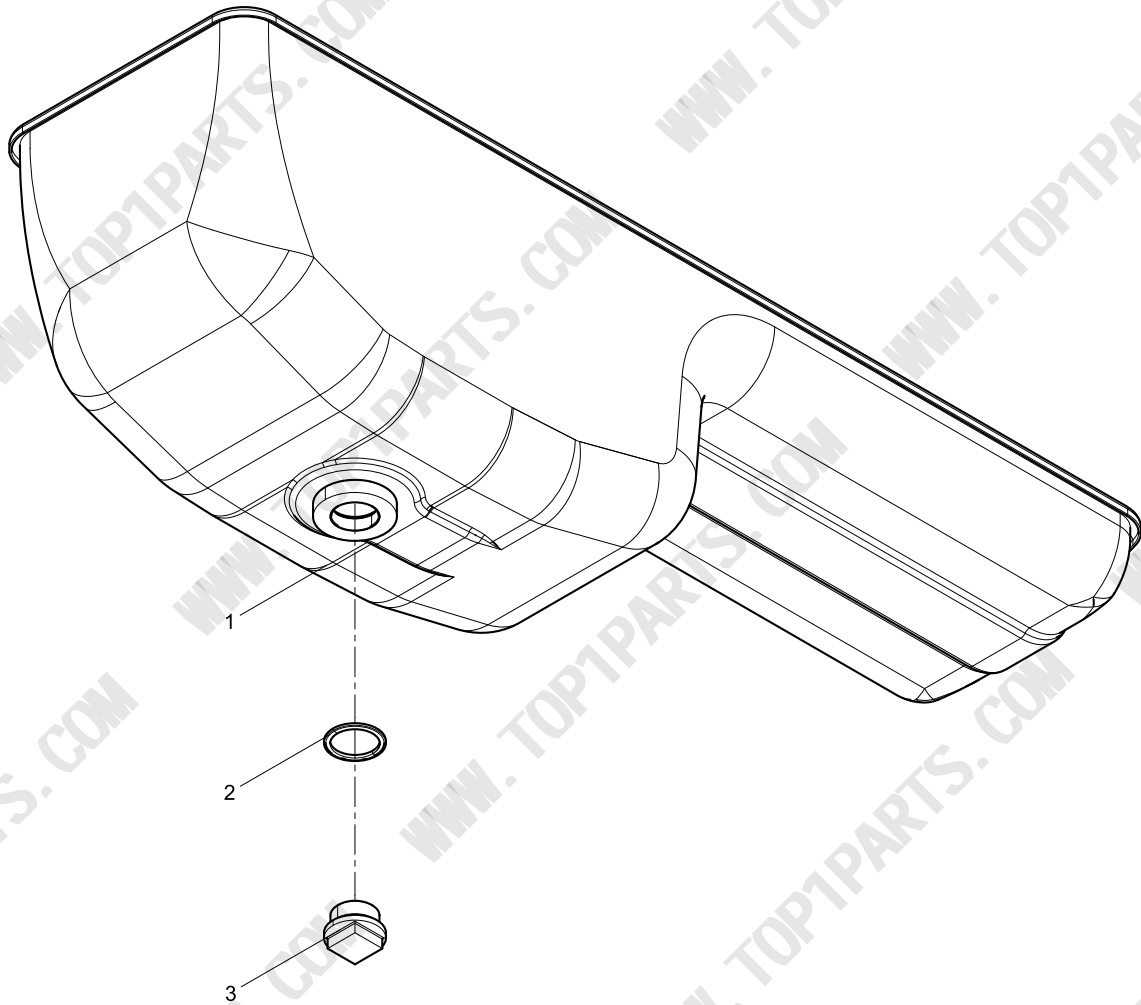
油底壳结合组(Oil Pan Group)



油底壳结合组(Oil Pan Group)

图序号 Pos.	件号 Part Number	数量 Qty.	中文名称	Part Name
1	1000409094	1	油底壳密封垫	Oil Pan Sealing Gasket
2	612600150382	1	油底壳组件	Oil Pan Set
3	612600150390	2	油底壳托块	Retainer of Oil Pan
4	90011400021	12	六角法兰面螺栓	Hexagon Flange Bolt
5	614150046	10	油底壳托块	Retainer of Oil Pan

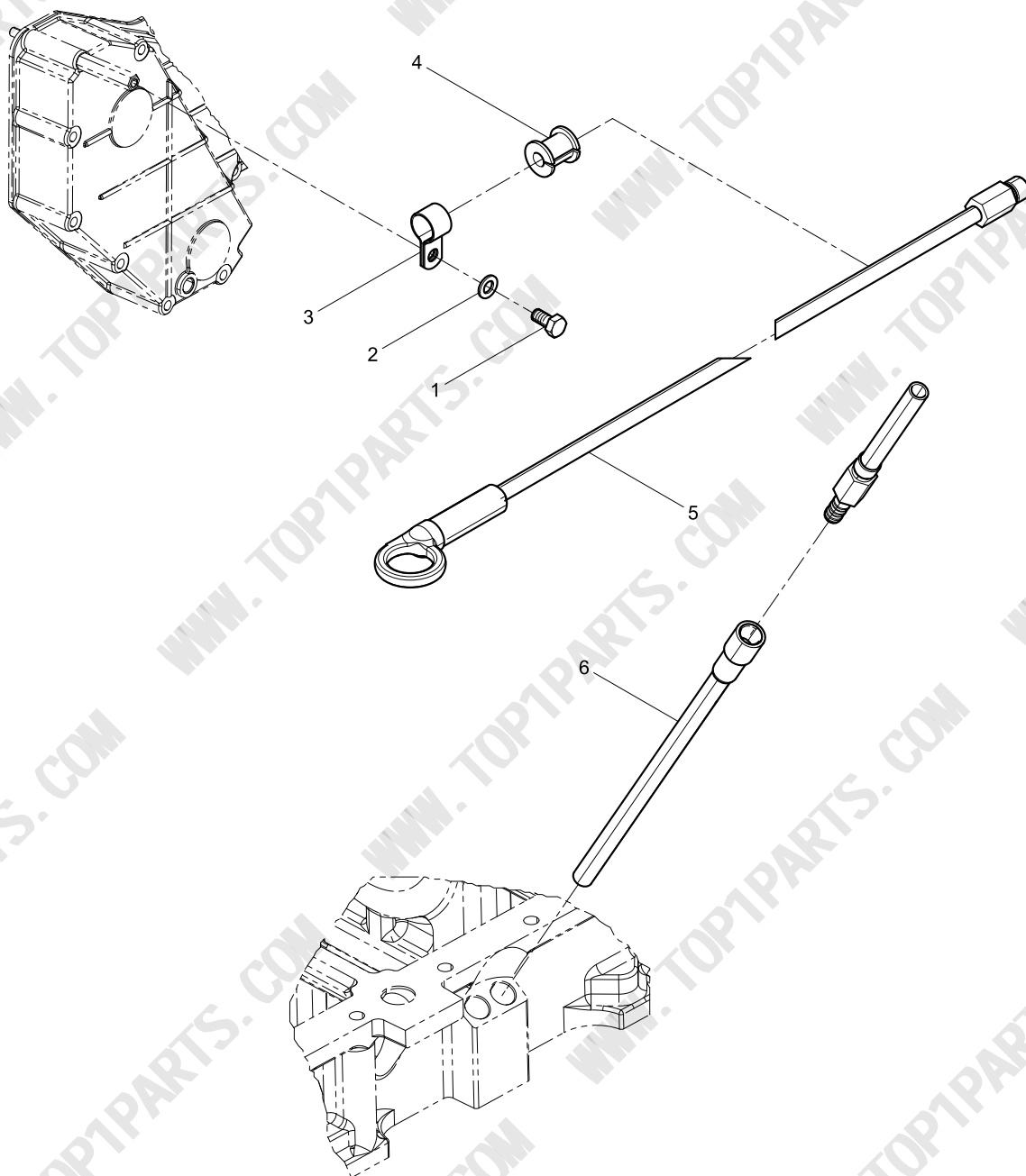
油底壳组件(Oil Pan Set)



油底壳组件(Oil Pan Set)

图序号 Pos.	件号 Part Number	数量 Qty.	中文名称	Part Name
1	612600150309	1	油底壳总成	Oil Pan Assembly
2	1001063409	1	组合密封垫圈	Assembled Sealing Washer
3	1000665161	1	放油螺塞	Oil Drain Plug

油标尺结合组(Oil Dipstick Group)

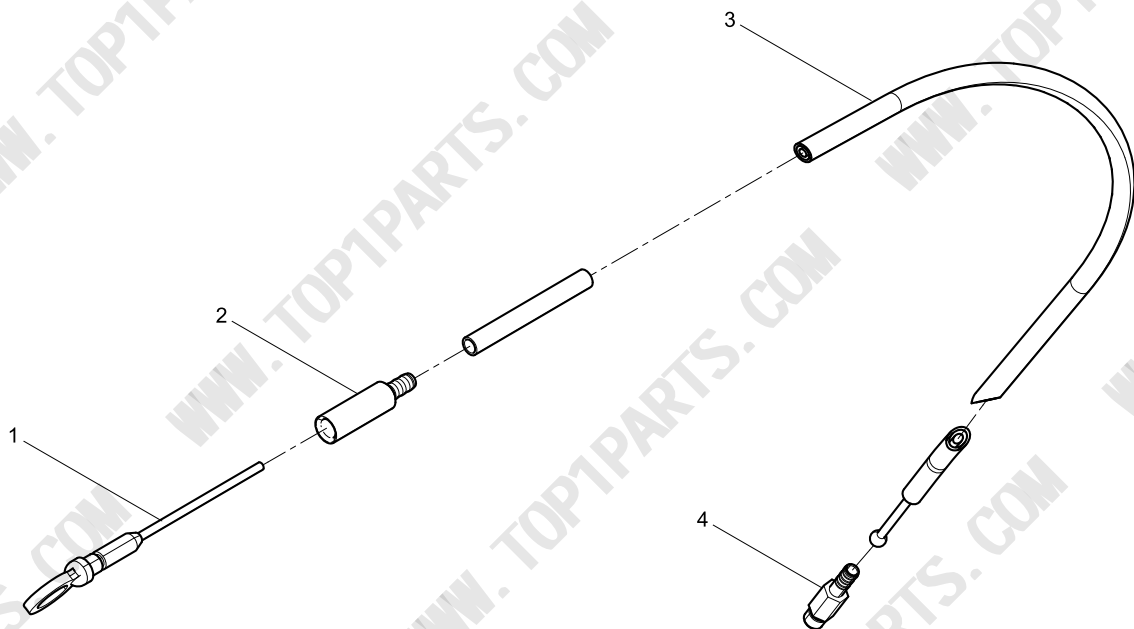




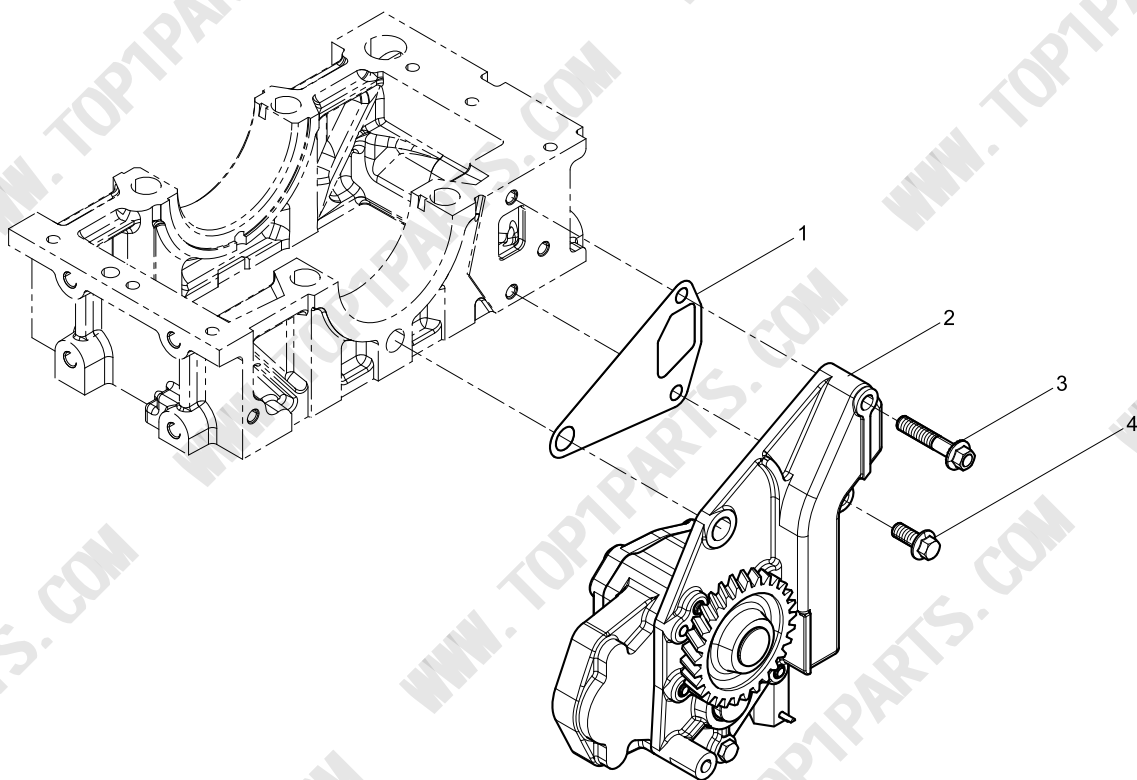
油标尺结合组(Oil Dipstick Group)

图序号 Pos.	件号 Part Number	数量 Qty.	中文名称	Part Name
1	90003802411	1	六角头螺栓	Hexagon Head Bolt
2	90003932023	1	波形弹性垫圈	Wave Spring Washer
3	612600010647	2	单管夹片	Single Pipe Clamp
4	612600010638	2	橡胶管箍	Rubber Hoop
5	612600012685	1	油标尺总成	Dipstick Assembly
6	612600012639	1	油尺管下组件	Dipstick Pipe Below Set

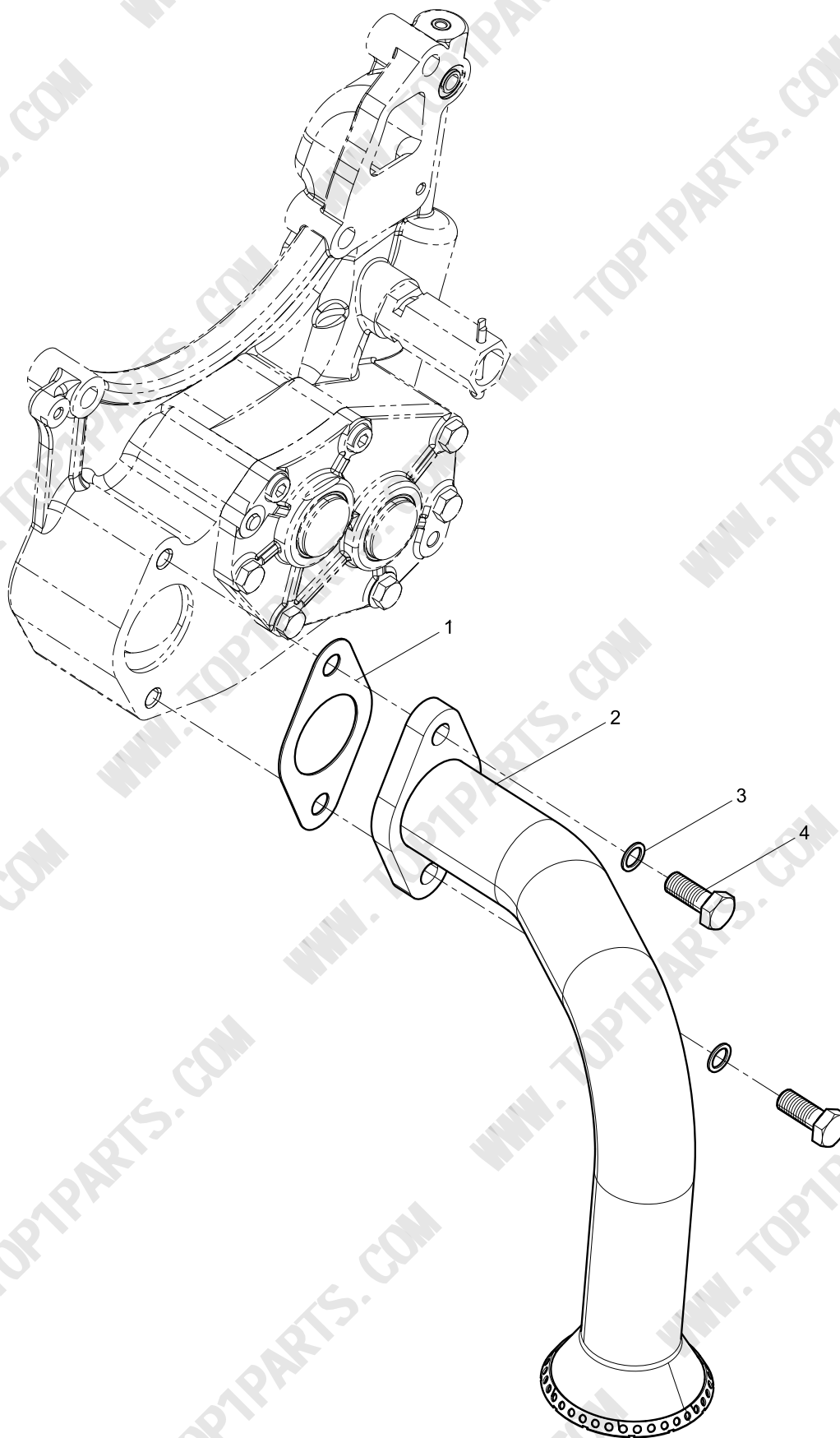
油标尺总成(Dipstick Assembly)



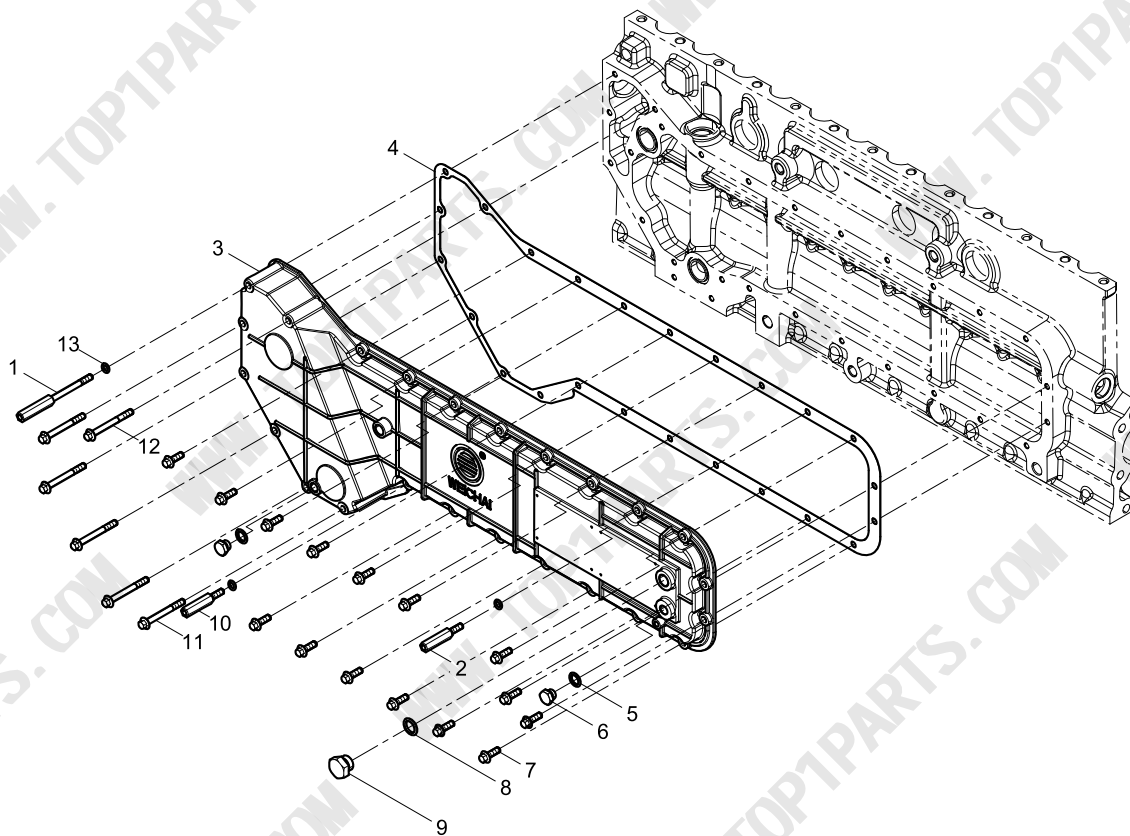
机油泵结合组(Oil Pump Group)



机油集滤器结合组(Oil Strainer Group)



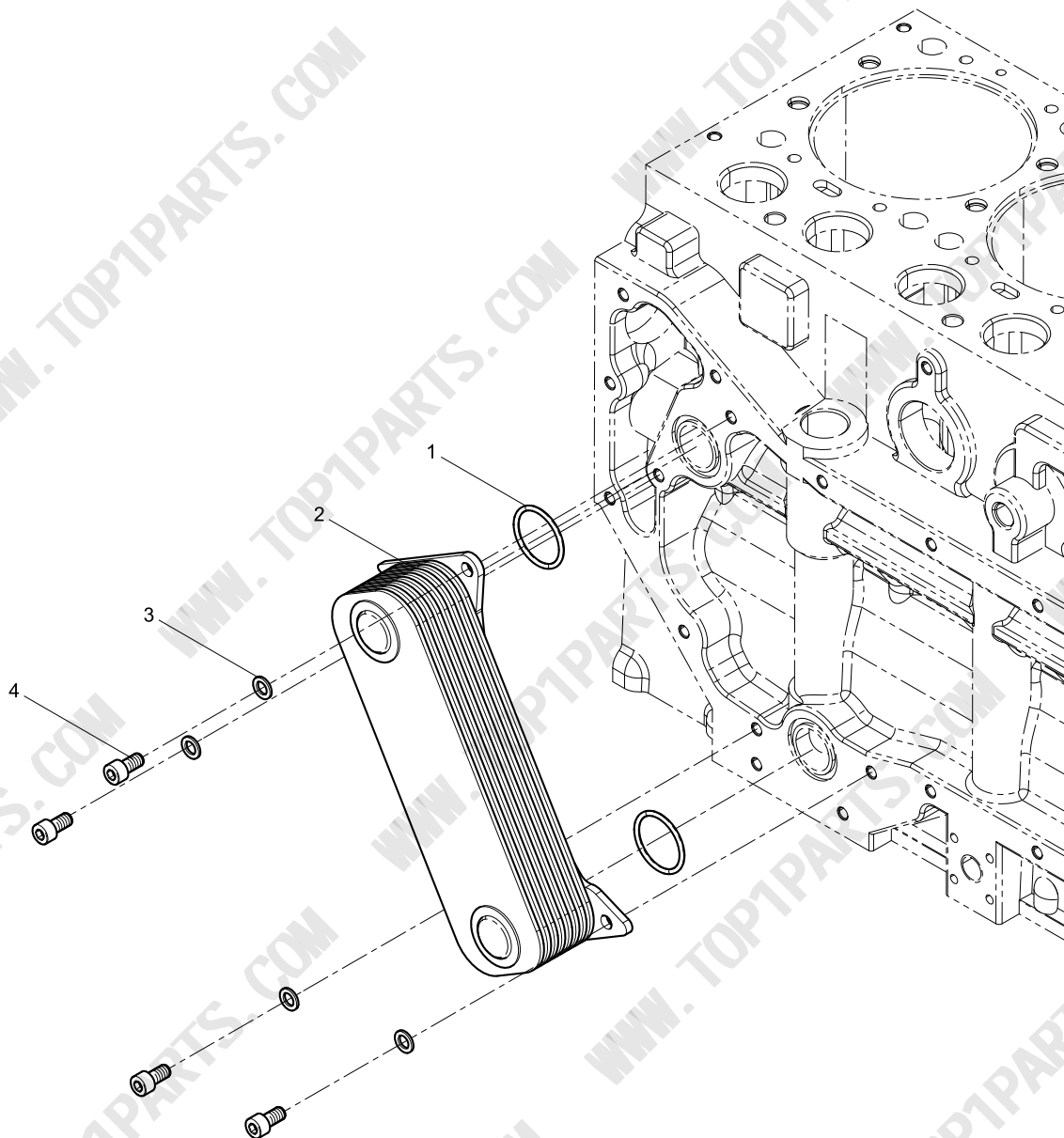
机油冷却器盖结合组(Oil cooler cap Group)



机油冷却器盖结合组(Oil cooler cap Group)

图序号 Pos.	件号 Part Number	数量 Qty.	中文名称	Part Name
1	612600014249	1	支撑块	Back-up Block
2	612600010616	1	支撑块	Back-up Block
3	612600012307	1	机油冷却器盖	Oil Cooler Cap
4	612600040566	1	机油冷却器盖垫片	Oil Cooler Cap Gasket
5	612600080200	2	垫圈	Washer
6	90003962020	2	六角头螺塞	Hexagon Screw Plug
7	90011410003	15	六角法兰面螺栓	Hexagon Flange Bolt
8	612600080275	1	密封垫圈	Sealing Washer
9	90003962030	1	六角头螺塞	Hexagon Screw Plug
10	612600112056	1	支撑块	Back-up Block
11	90011410009	5	六角法兰面螺栓	Hexagon Flange Bolt
12	90011410010	1	六角法兰面螺栓	Hexagon Flange Bolt
13	90003932023	3	波形弹性垫圈	Wave Spring Washer

机油冷却器结合组(Oil Cooler Group)

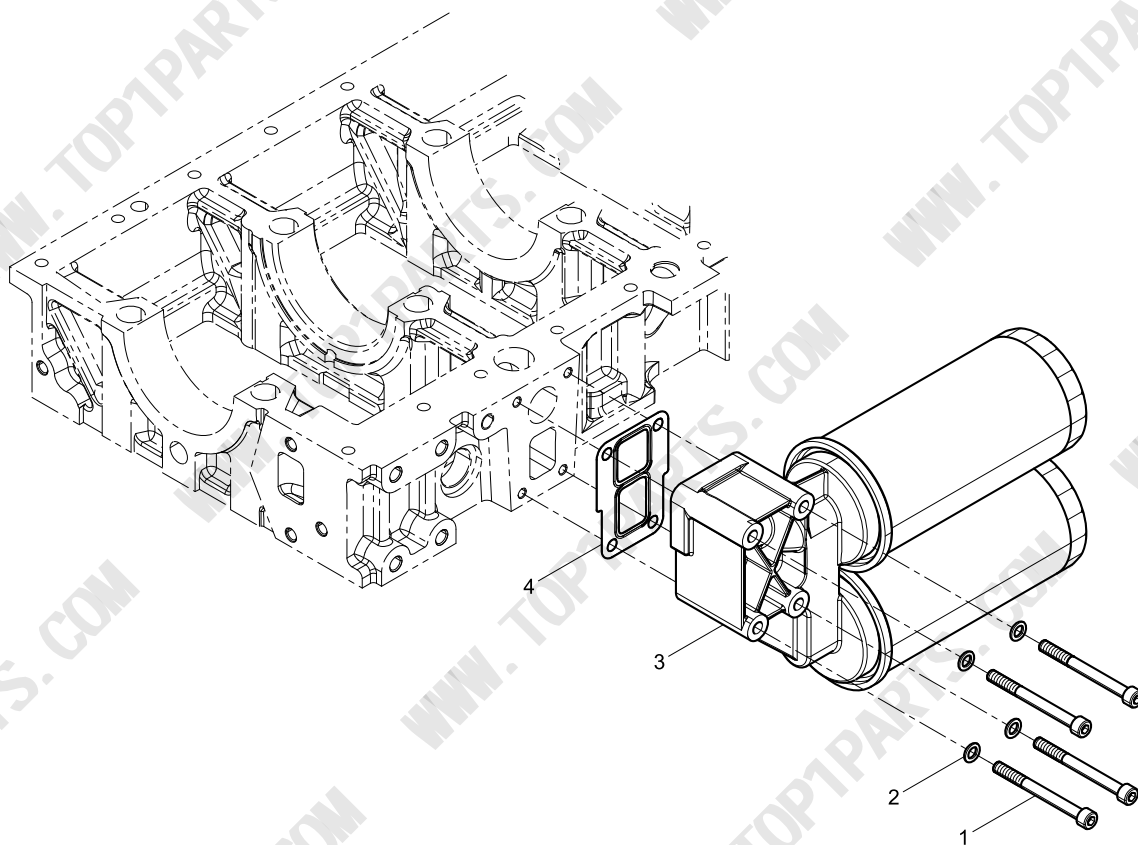




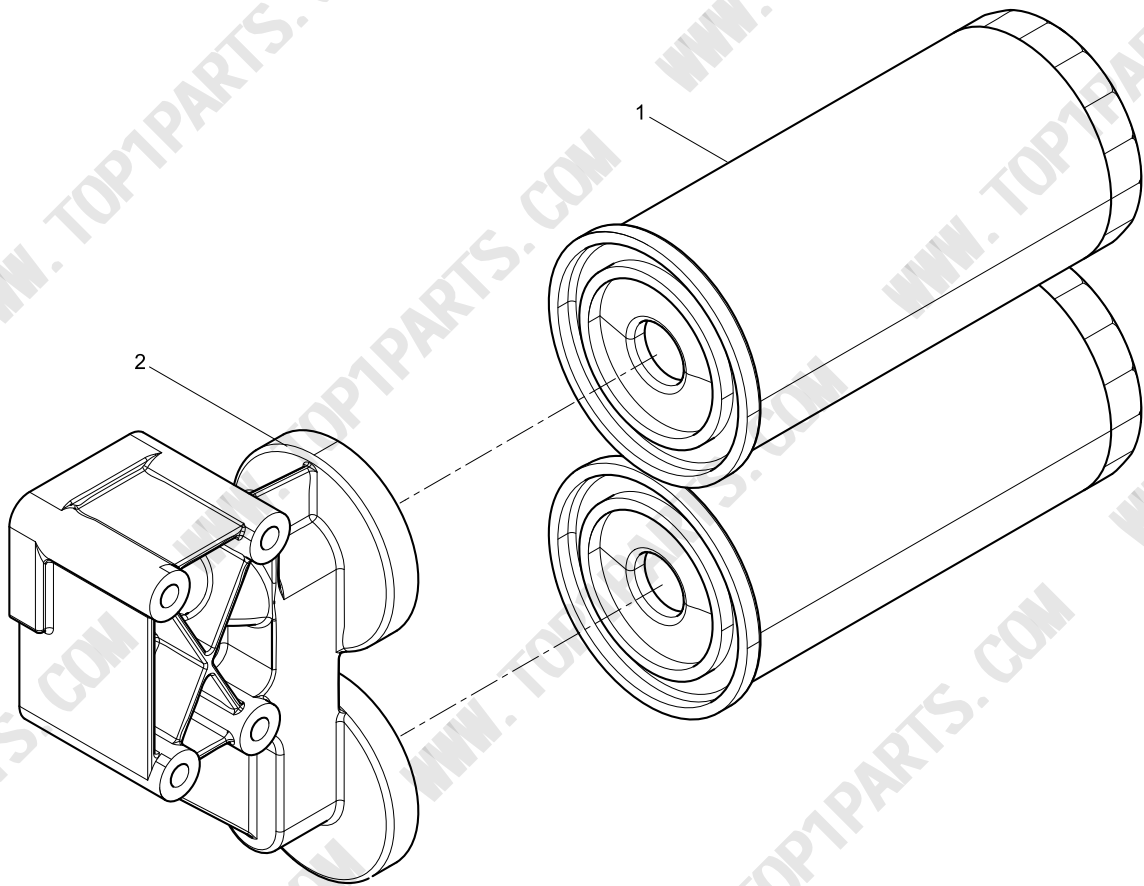
机油冷却器结合组(Oil Cooler Group)

图序号 Pos.	件号 Part Number	数量 Qty.	中文名称	Part Name
1	81400010032	2	密封圈	Seal Ring
2	61500010334	1	机油冷却器	Oil Cooler
3	90003932023	4	波形弹性垫圈	Wave Spring Washer
4	90003862419S	4	内六角圆柱头螺钉	Inner Hexagon Socket Head Cap Screw

机油滤清器结合组(Oil Filter Group)



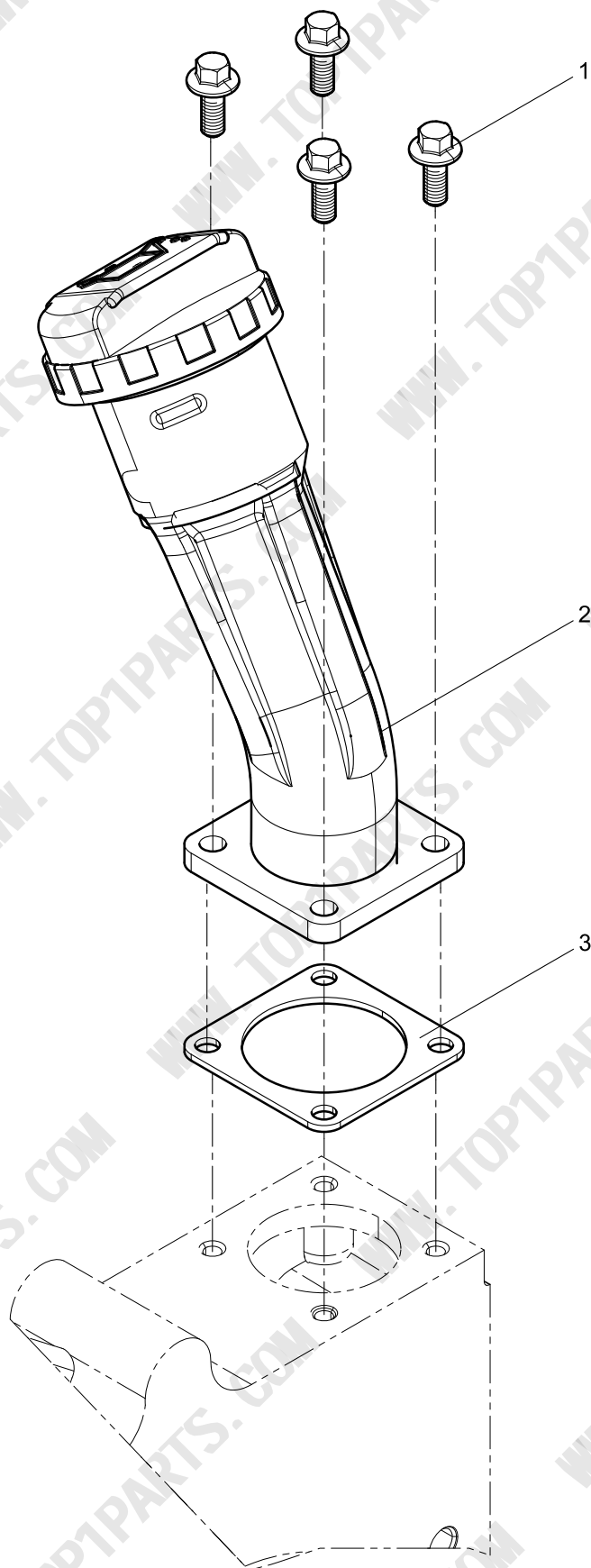
机油滤清器(Oil Filter)



机油滤清器(Oil Filter)

图序号 Pos.	件号 Part Number	数量 Qty.	中文名称	Part Name
1	1000424655	2	机油滤清器滤芯	Oil Filter Element
2	612600070343	1	机油滤清器座	Oil Filter Seat

加机油管结合组(Oil Filling Tube Group)

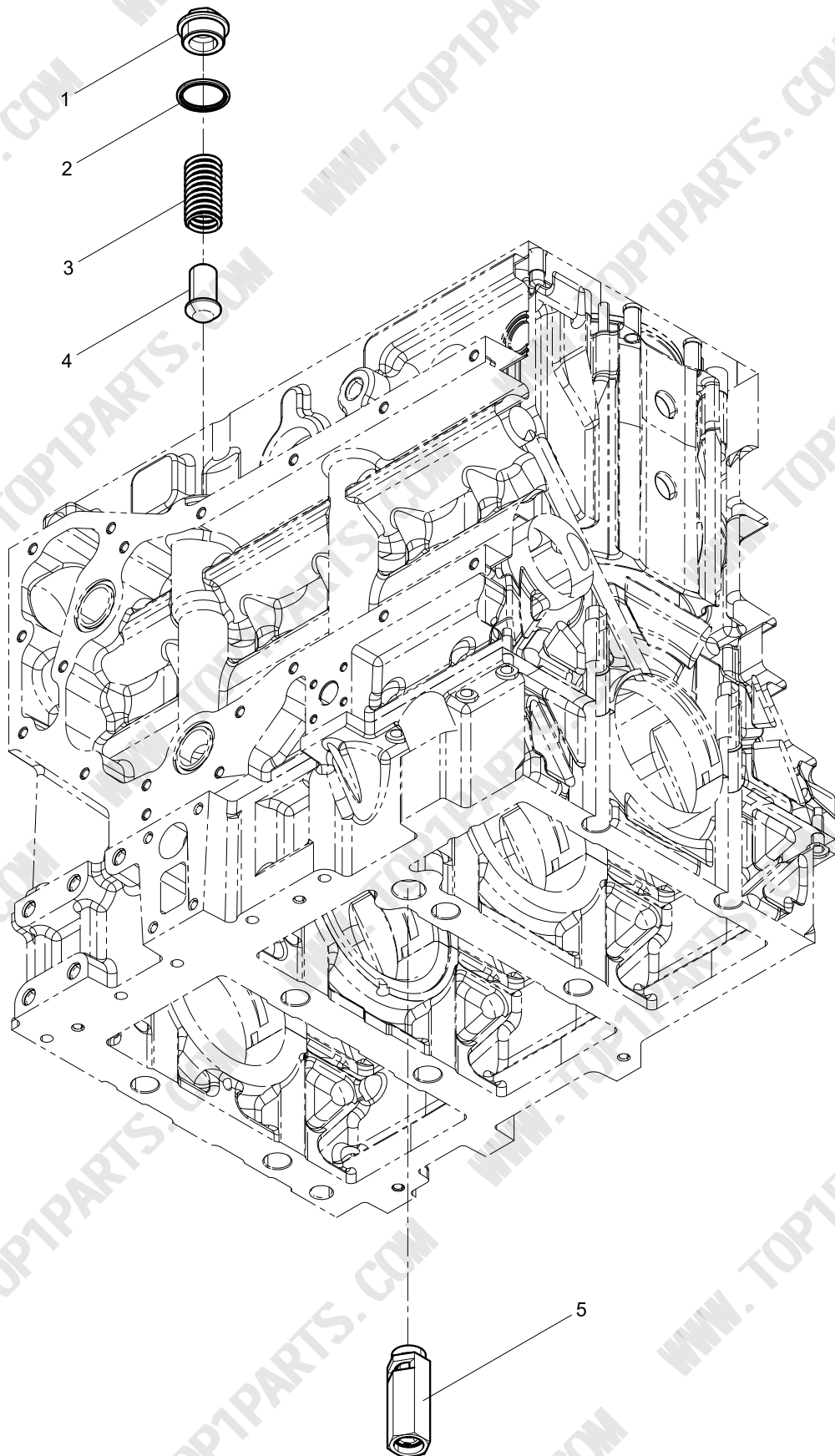




加机油管结合组(Oil Filling Tube Group)

图序号 Pos.	件号 Part Number	数量 Qty.	中文名称	Part Name
1	900000719	4	六角法兰面螺栓	Hexagon Flange Bolt
2	612600015335	1	加机油管总成	Oil Filling Tube Assembly
3	612600013956	1	垫片	Gasket

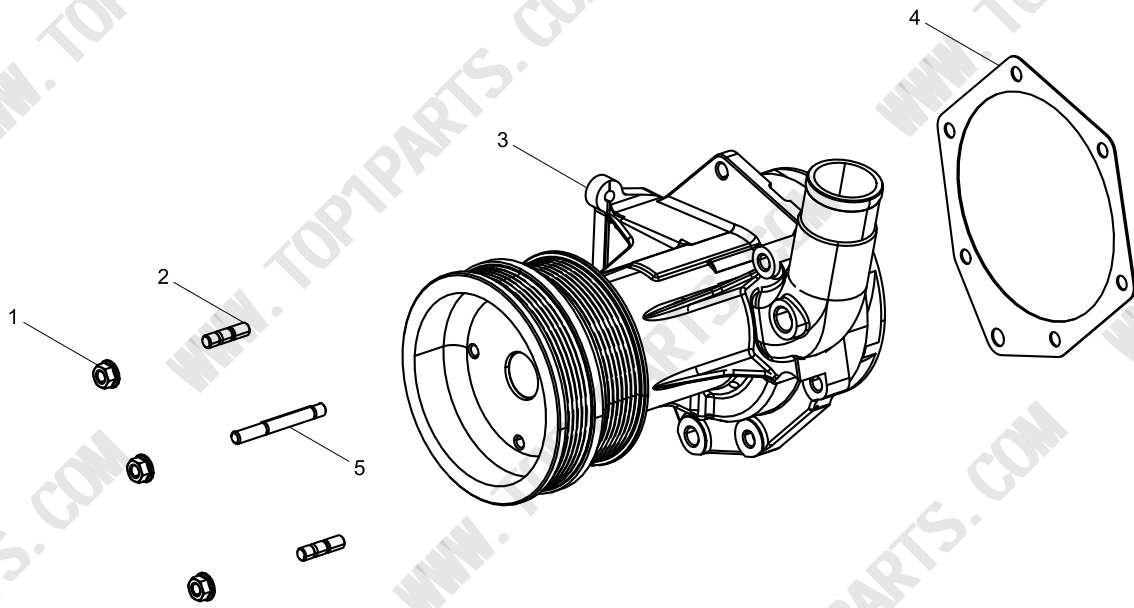
限压阀结合组(Pressure-limiting Valve Group)



限压阀结合组(Pressure-limiting Valve Group)

图序号 Pos.	件号 Part Number	数量 Qty.	中文名称	Part Name
1	612600070160S	1	六角头螺塞	Hexagon Screw Plug
2	612600010735	1	垫圈	Washer
3	614070068	1	机油泵安全阀弹簧	Oil Pump Safety Valve Spring
4	614070069	1	机油安全阀	Oil Pressure Relief Valve
5	AZ1500070097	1	主油道限压阀	Pressure-limiting valve of the main oil passage

水泵结合组(Water Pump Group)



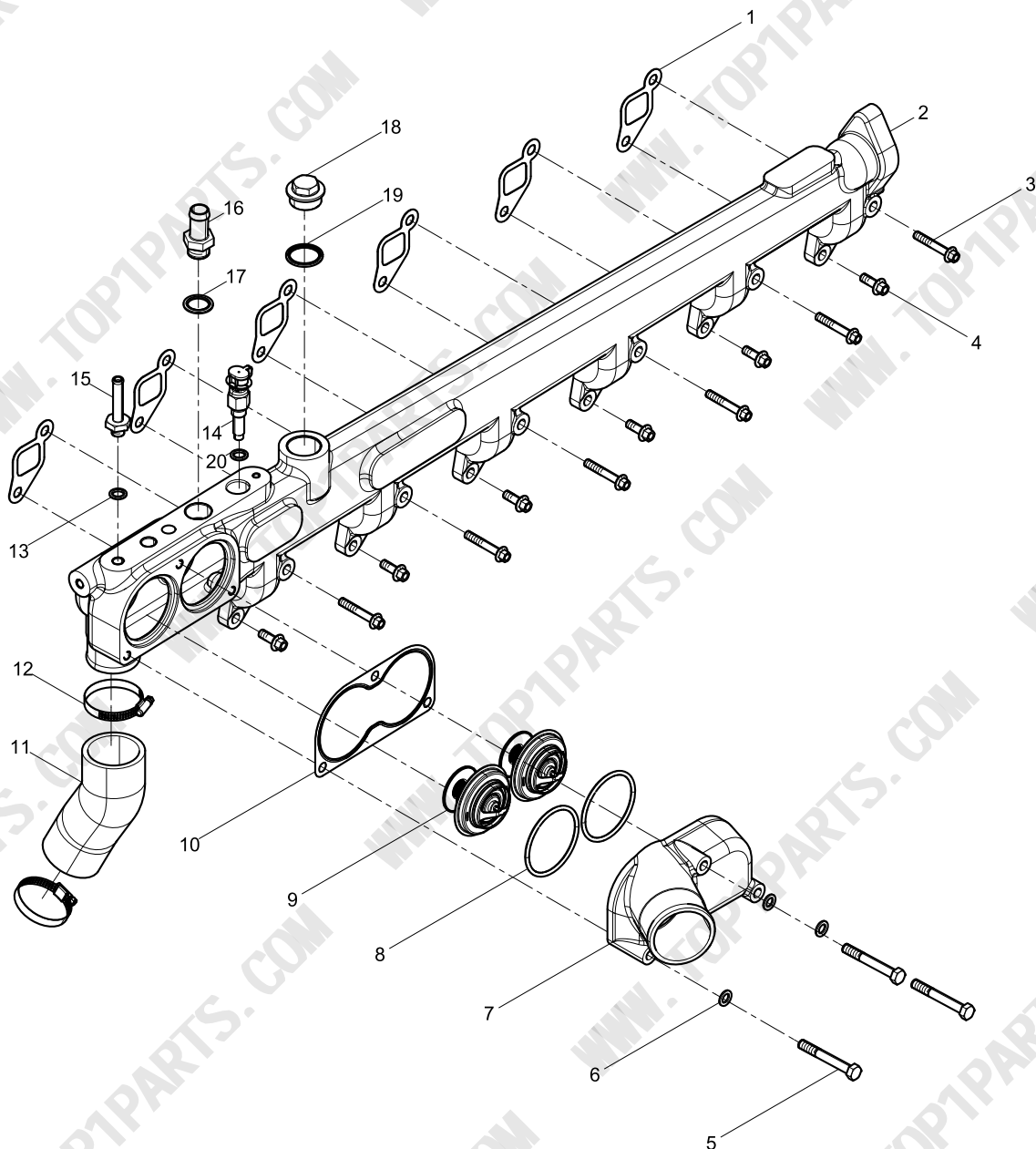
水泵进水管结合组(Water Pump Inlet Pipe Group)

can't find EPC image!

水泵进水管结合组(Water Pump Inlet Pipe Group)

图序号 Pos.	件号 Part Number	数量 Qty.	中文名称	Part Name
	612640060150	1	垫片	Gasket
	1009641873	1	水泵水管	Water Pump Water Pipe
	612640060151	1	六角法兰面螺栓	Hexagon Flange Bolt
	9000000156	1	六角法兰面螺栓	Hexagon Flange Bolt
	9000000155	1	六角法兰面螺栓	Hexagon Flange Bolt
	61000040030	1	水管接头	Water Pipe Connector
	612600060499	1	堵盖	Plug Cover
	1001675558	1	六角头螺塞	Hexagon Screw Plug
	1002151541	1	组合密封垫圈	Assembled Sealing Washer

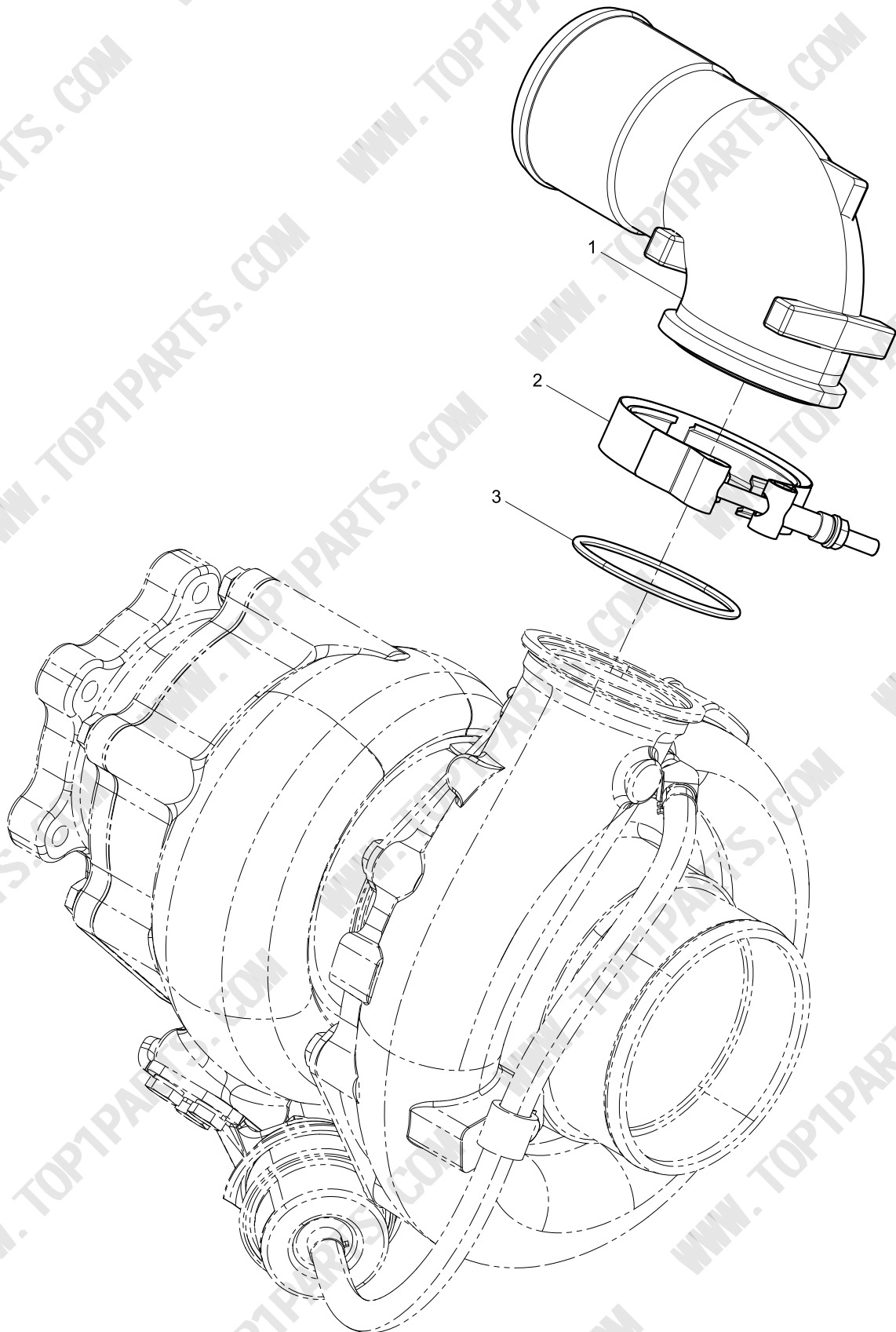
出水管结合组(Water Outlet Pipe Group)



出水管结合组(Water Outlet Pipe Group)

图序号 Pos.	件号 Part Number	数量 Qty.	中文名称	Part Name
1	1000544065	6	出水管垫片	Water-outlet pipe gasket
2	1002476334	1	出水管	Water-outlet Pipe
3	9000000119	6	六角法兰面螺栓	Hexagon Flange Bolt
4	9000000602	6	六角法兰面螺栓	Hexagon Flange Bolt
5	90003800466	3	六角头螺栓	Hexagon Head Bolt
6	90003932023	3	波形弹性垫圈	Wave Spring Washer
7	612600040704	1	节温器盖	Thermostat Cover
8	680340065	2	密封圈	Seal Ring
9	612630060894	2	节温器总成	Thermostat Assembly
10	612600160099	1	出水管垫片	Water-outlet pipe gasket
11	612600062156	1	冷却液连接胶管	Coolant Connecting Rubber Pipe
12	612600061883	2	卡箍	Clamp
13	1001063336	1	组合密封垫圈	Assembled Sealing Washer
14	1003081464	1	温度传感器	Temperature Sensor
15	612600062401	1	接头	Conversion Adapter
16	610800060195	1	接头	Conversion Adapter
17	1001251572	1	组合密封垫圈	Assembled Sealing Washer
18	90003962051	1	六角头螺塞	Hexagon Screw Plug
19	612600010735	1	垫圈	Washer

中冷器结合组(Intercooler Group)



中冷器结合组(Intercooler Group)

图序号 Pos.	件号 Part Number	数量 Qty.	中文名称	Part Name
1	61560110165	1	过渡连接管	Transition Connecting Tube
2	61560110226	1	卡箍	Clamp
3	190320035	1	密封圈	Seal Ring

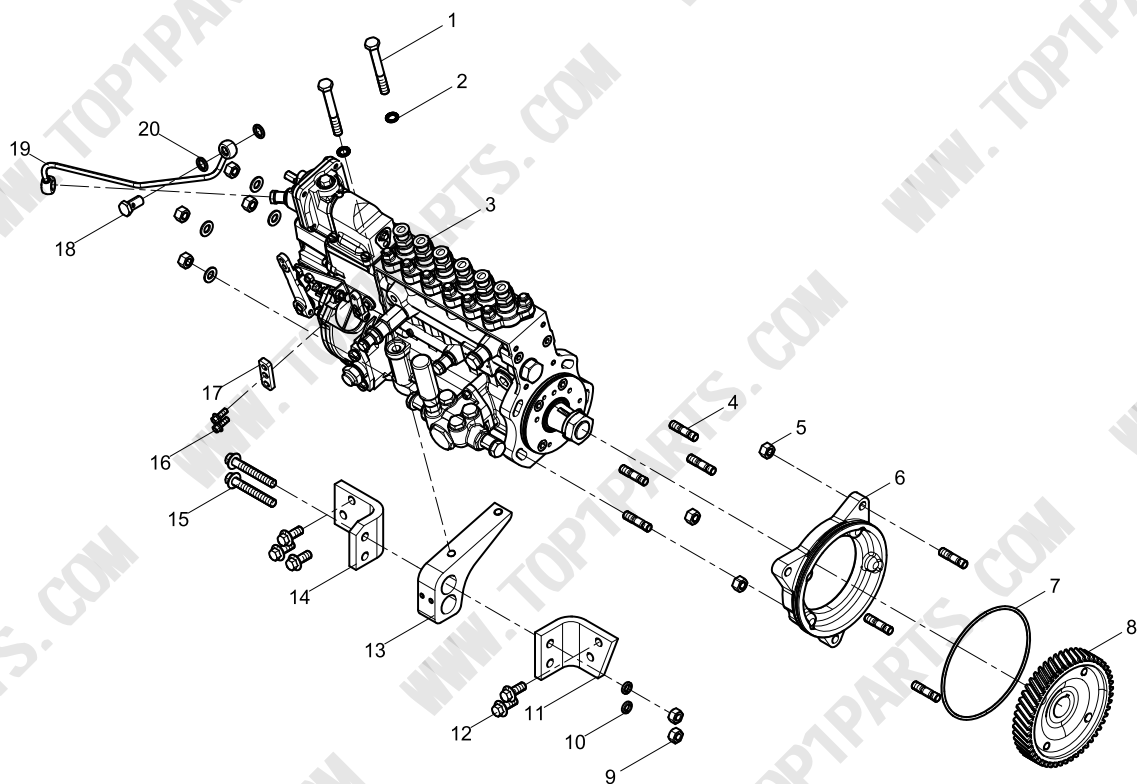
风扇及轮毂结合组(Fan and Hub Group)

can't find EPC image!

风扇及轮毂结合组(Fan and Hub Group)

图序号 Pos.	件号 Part Number	数量 Qty.	中文名称	Part Name
	90011400058	6	六角法兰面螺栓	Hexagon Flange Bolt
	1005514328	1	风扇	Fan
	90012290001	6	六角法兰面螺母	Hexagon Flange Nut
	9000000075	6	六角法兰面螺栓	Hexagon Flange Bolt
	1012866116	1	风扇连接盘	Fan Flange

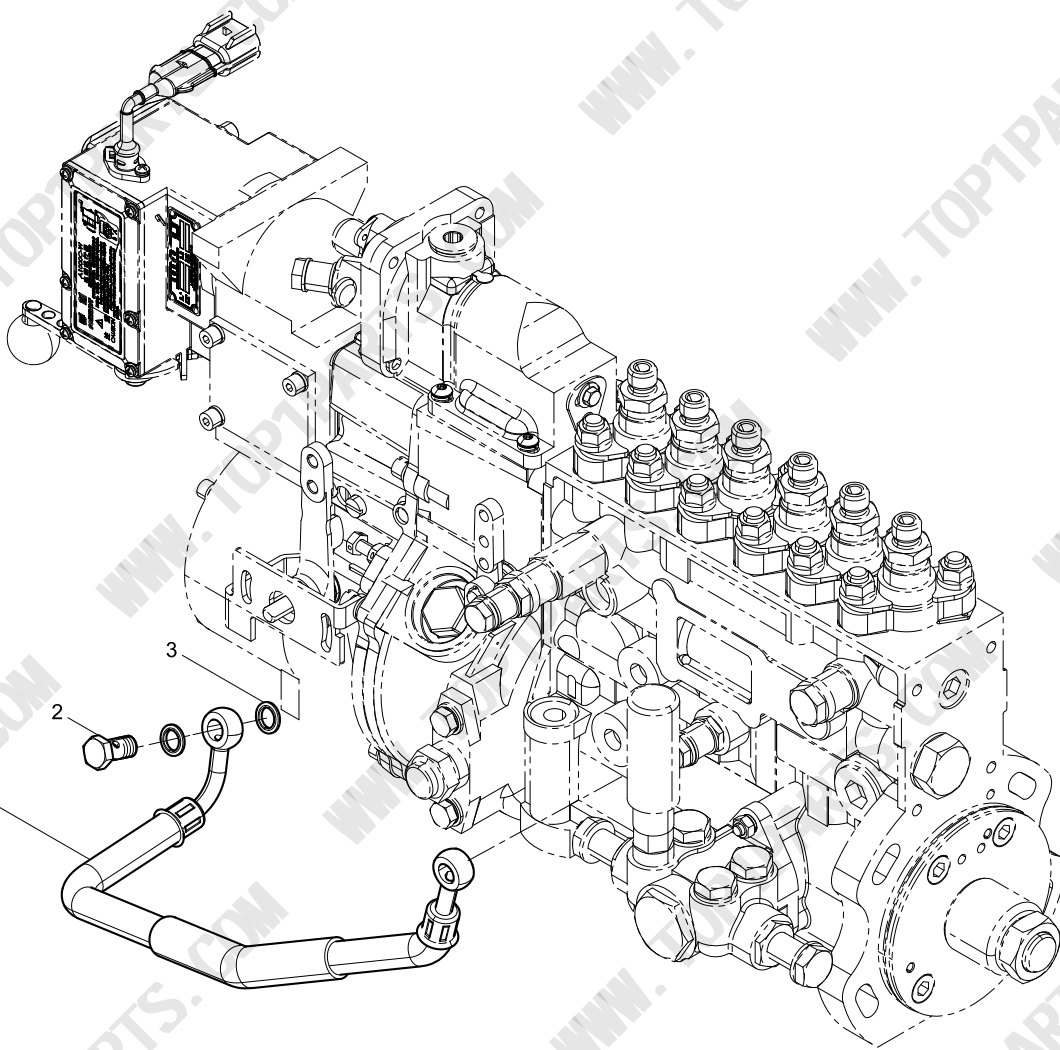
喷油泵结合组(Fuel Injection Pump Group)



喷油泵结合组(Fuel Injection Pump Group)

图序号 Pos.	件号 Part Number	数量 Qty.	中文名称	Part Name
1	90003800579	2	六角头螺栓	Hexagon Head Bolt
2	18872339	2	垫圈	Washer
3	1001830368	1	喷油泵总成	Fuel Injection Pump Assembly
4	90011620032S	7	双头螺柱	Double End Stud
5	90012290007	7	六角法兰面螺母	Hexagon Flange Nut
6	612600083244	1	喷油泵法兰	Fuel Injection Pump Flange
7	612600083245	1	密封圈	Seal Ring
8	612600083315	1	喷油泵齿轮	Fuel Injection Pump Gear
9	90003871305	2	六角螺母	Hexagon Nut
10	90003931122	2	弹簧垫圈	Spring Washer
11	612600083233	1	喷油泵支架	Fuel Injection Pump Support
12	90011430008	5	六角法兰面承面带齿螺栓	Hexagon Flange with Tooth Bolt
13	612600082665	1	喷油泵托架	Fuel Injection Pump Bracket
14	612600080364	1	喷油泵支架	Fuel Injection Pump Support
15	90011430013	2	六角法兰面承面带齿螺栓	Hexagon Flange with Tooth Bolt
16	9000000642	2	六角法兰面螺栓	Hexagon Flange Bolt
17	1002028611	1	转换手柄	Switch Hand
18	90003962612	1	空心螺栓	Hollow screw
19	612640080162	1	冒烟限制器空气管总成	Smoking Limiator Air Pipe Assembly
20	612600050042	2	密封垫圈	Sealing Washer

喷油泵润滑油管结合组(Fuel Injection Pump Oil Pipe Group)

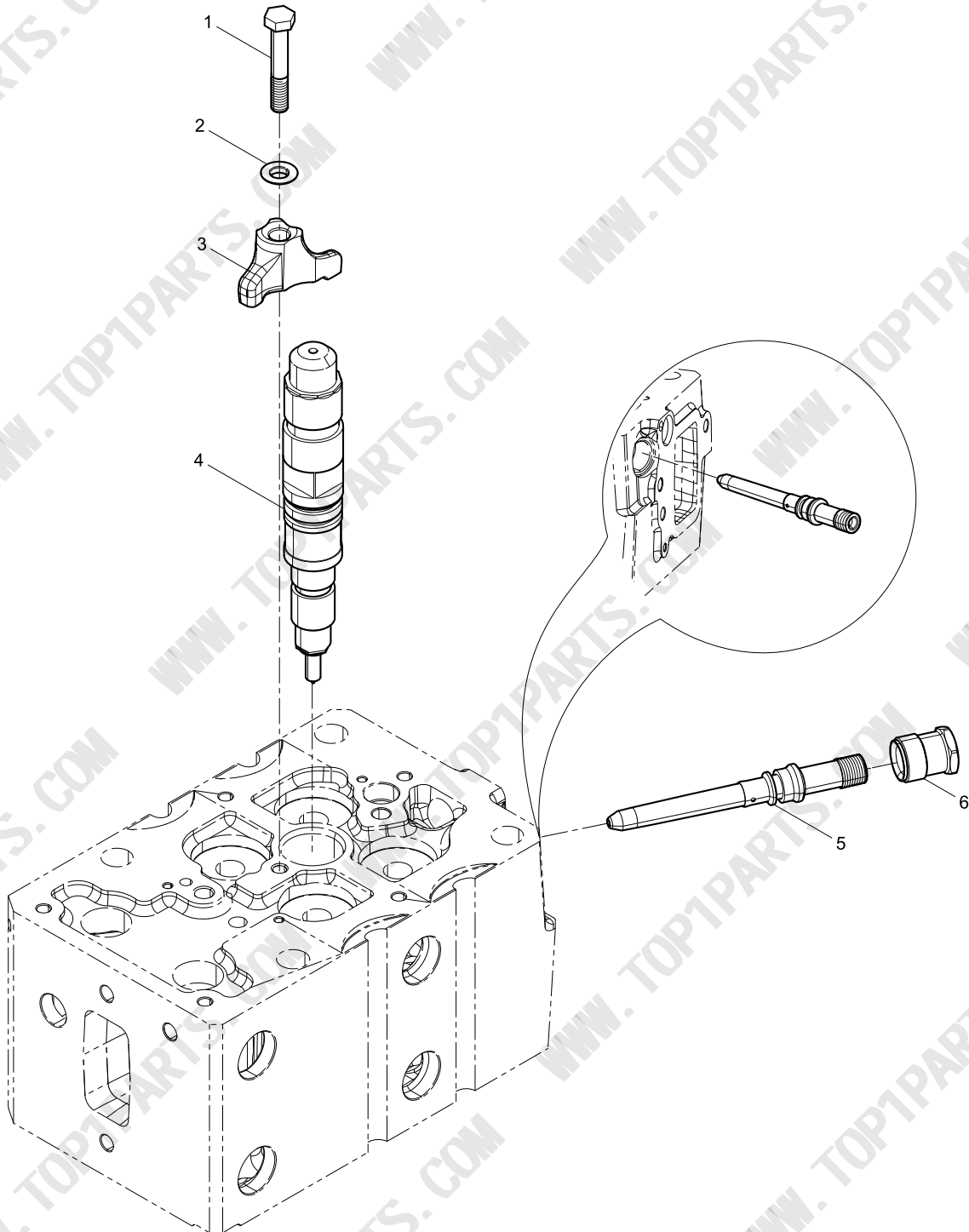




喷油泵润滑油管结合组(Fuel Injection Pump Oil Pipe Group)

图序号 Pos.	件号 Part Number	数量 Qty.	中文名称	Part Name
1	612600081470	1	喷油泵润滑油管总成	Fuel Injection Pump Oil Pipe Assembly
2	90003962607	1	铰接螺栓	Gemel Bolt
3	612600080246	2	垫圈	Washer

喷油器结合组(Fuel Injector Group)

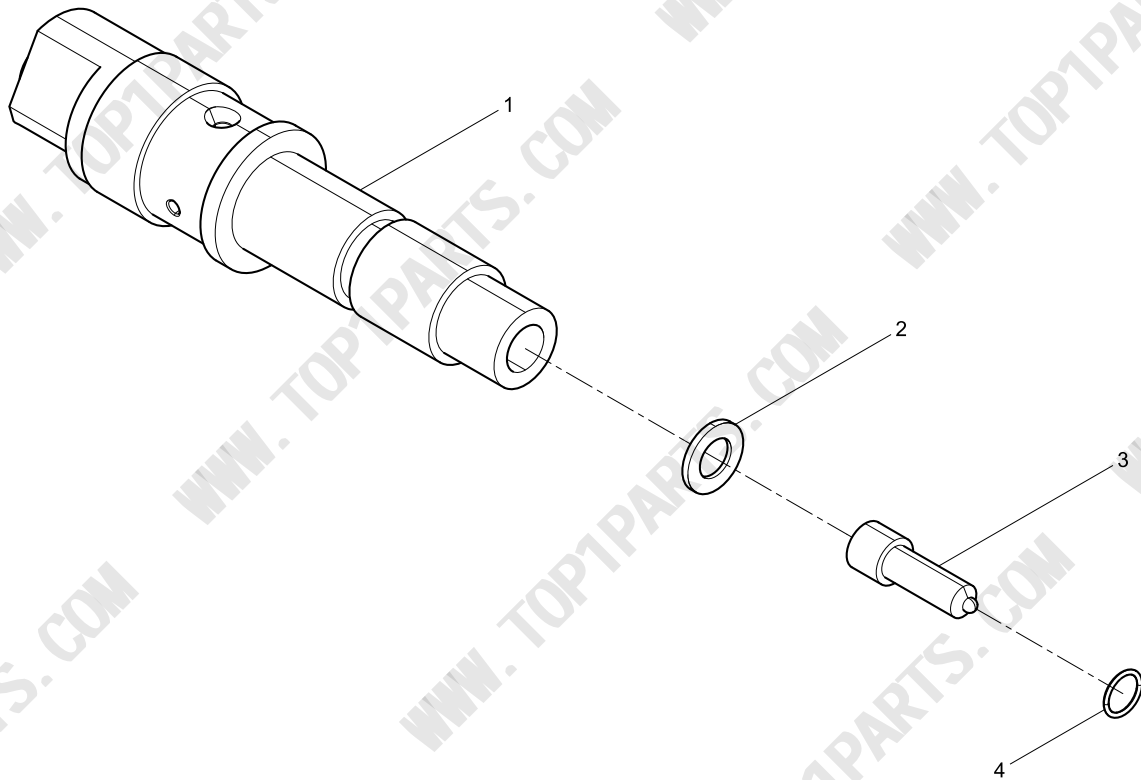




喷油器结合组(Fuel Injector Group)

图序号 Pos.	件号 Part Number	数量 Qty.	中文名称	Part Name
1	90011350017	6	六角头螺栓	Hexagon Head Bolt
2	612639000016	6	球面垫圈	Washer with Ball Face
3	612630090002	6	喷油器压板	Fuel Injector Clamp
4	612630090022	6	喷油器	Fuel Injector
5	612630090004	6	高压接头	High-pressure Connector
6	612630090006	6	螺母	Nut

喷油器(Fuel Injector)

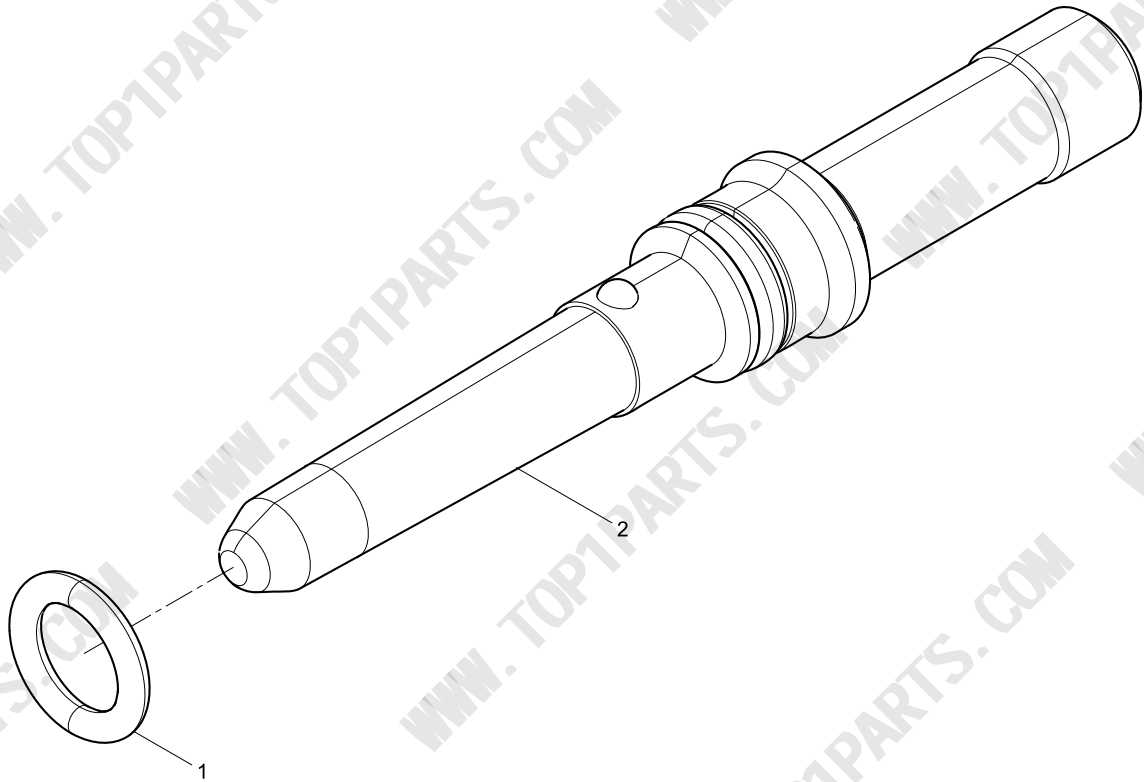




喷油器(Fuel Injector)

图序号 Pos.	件号 Part Number	数量 Qty.	中文名称	Part Name
1	612630090023	1	喷油器	Fuel Injector
2	612630090056	1	喷油器垫片	Fuel Injector Gasket
3	612630090053	1	喷油嘴	Nozzle
4	612630090007	1	O形橡胶密封圈	O-ring

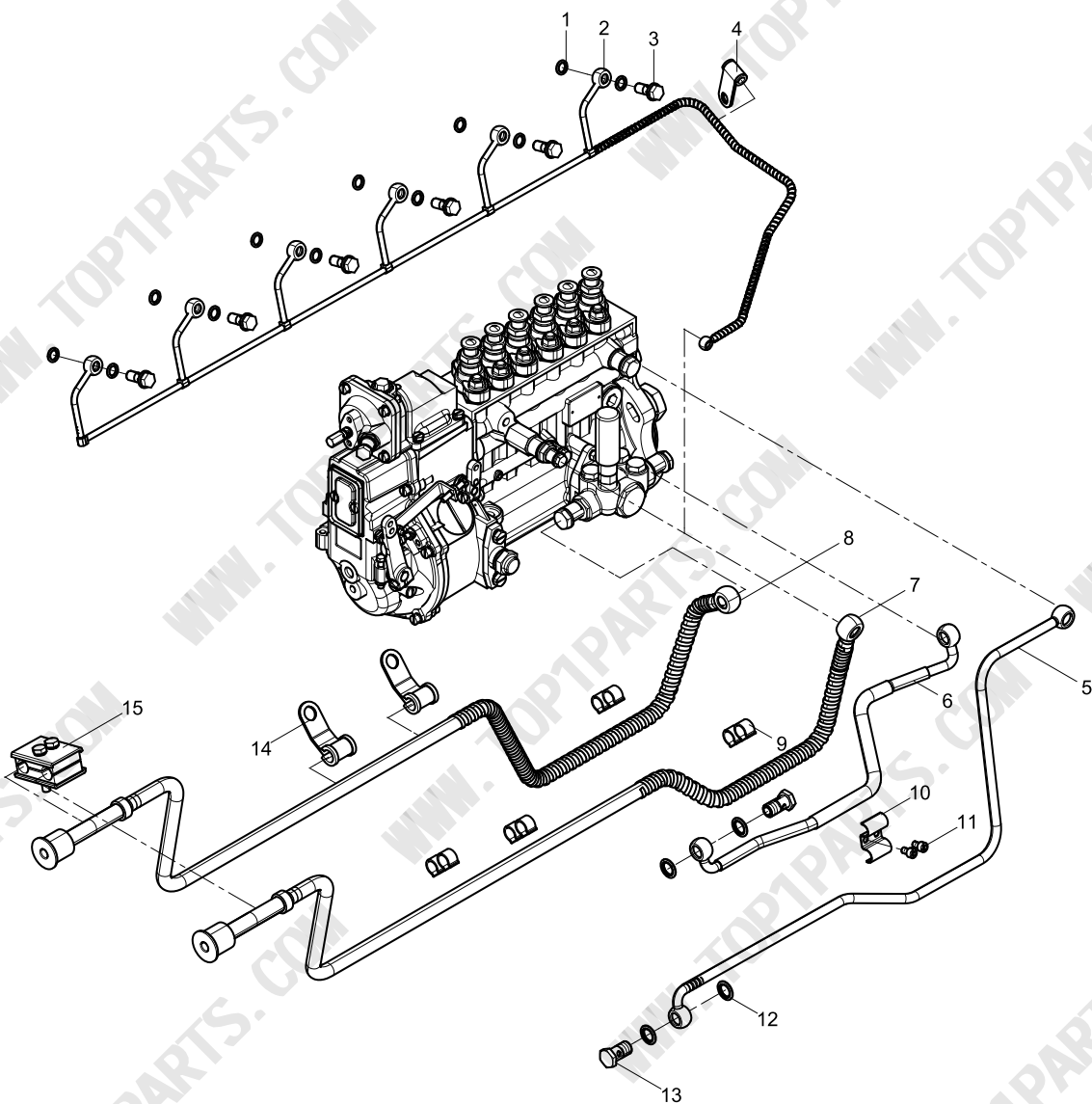
高压接头(High-pressure Connector)



高压接头(High-pressure Connector)

图序号 Pos.	件号 Part Number	数量 Qty.	中文名称	Part Name
1	612630090014	1	O形橡胶密封圈	O-ring
2	612630090013	1	高压接头	High-pressure Connector

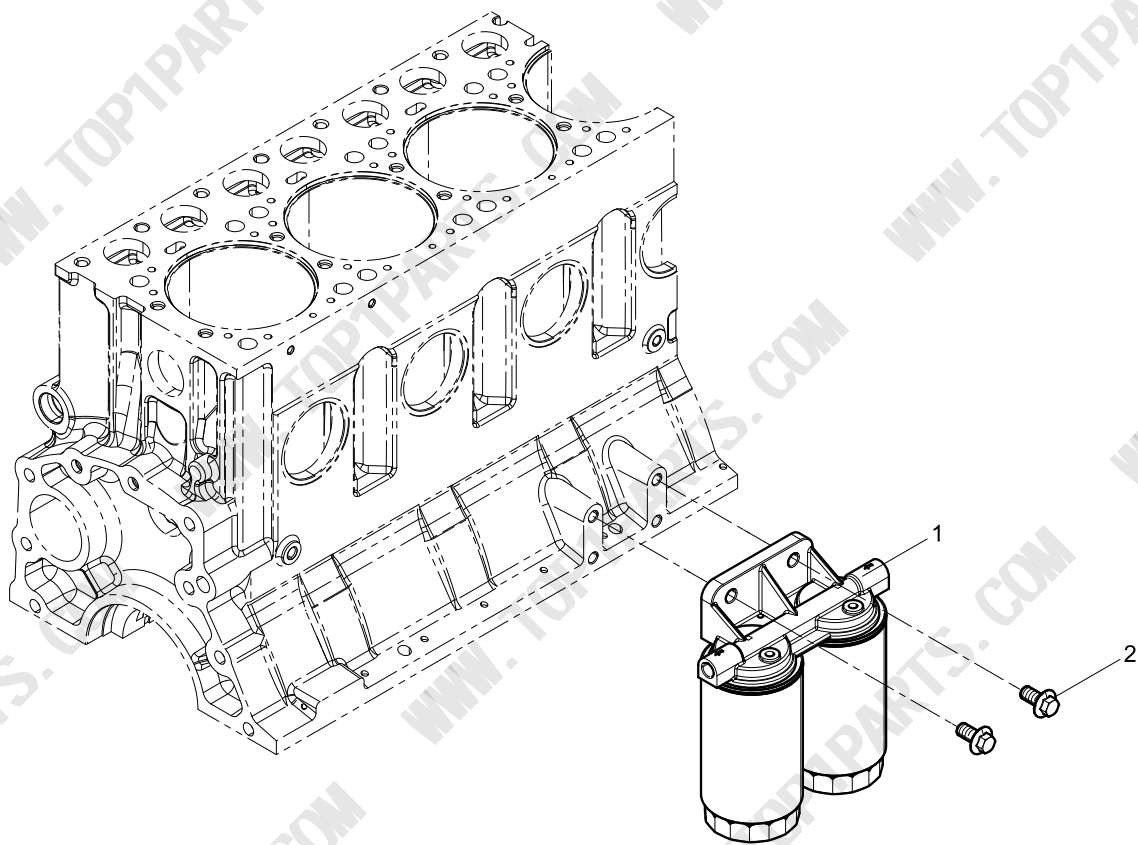
低压油管结合组(Low Pressure Fuel Pipe Group)



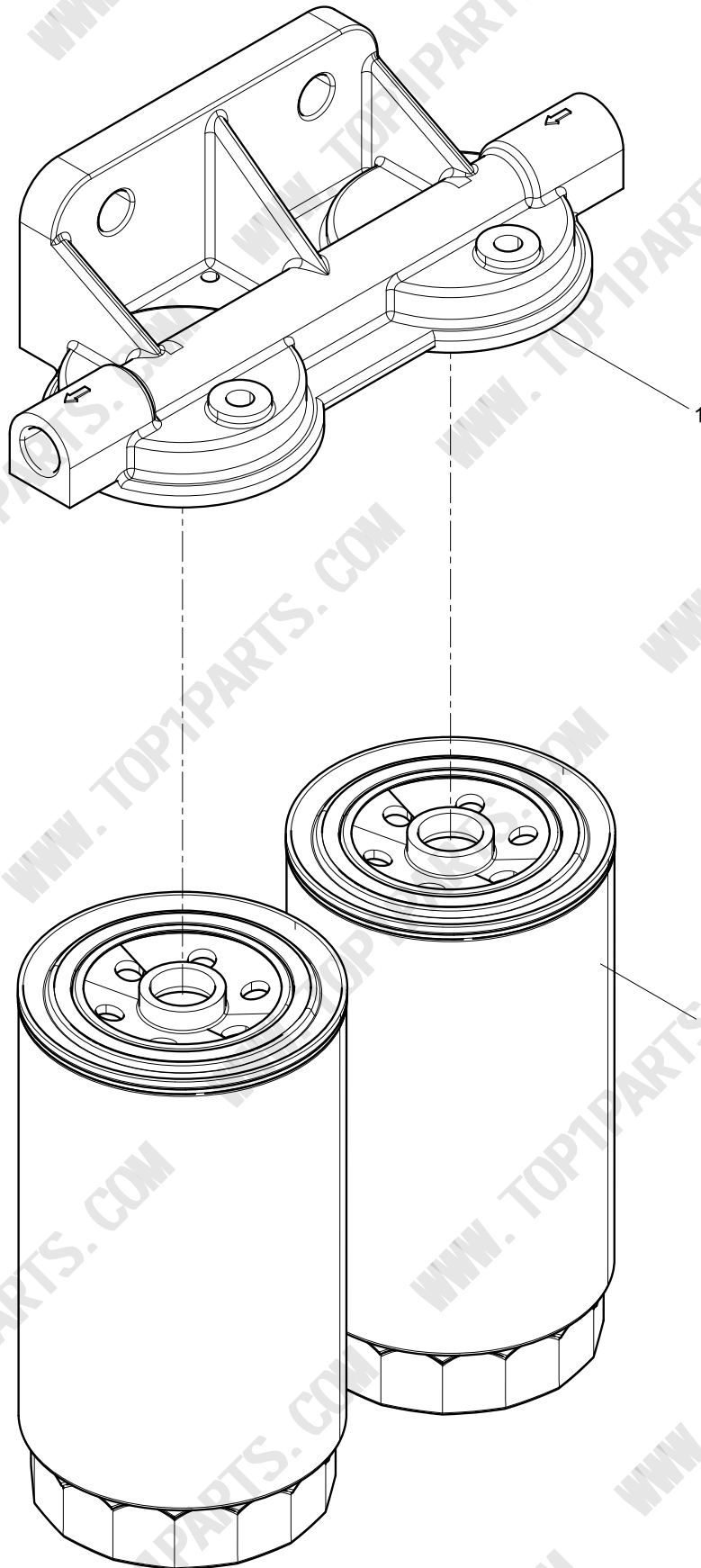
低压油管结合组(Low Pressure Fuel Pipe Group)

图序号 Pos.	件号 Part Number	数量 Qty.	中文名称	Part Name
1	13057039	12	组合密封垫圈	Assembled Sealing Washer
2	1001977494	1	燃油回油管总成	Fuel Return Pipe Assembly
3	612639000047	6	螺栓	Bolt
4	612600082376	1	管夹总成	Pipe Clamp Assembly
5	612600082651	1	燃油进油管总成	Fuel-inlet Pipe Assembly
6	612600083034	1	燃油管总成	Fuel Pipe Assembly
7	1011008511	1	燃油回油管总成	Fuel Return Pipe Assembly
8	1011008508	1	燃油进油管总成	Fuel-inlet Pipe Assembly
9	612600080948	2	管夹总成	Pipe Clamp Assembly
10	612600082653	1	燃油管支架	Fuel Pipe Bracket
11	90013050050	2	内六角圆柱头螺钉	Inner Hexagon Socket Head Cap Screw
12	612600080200	4	垫圈	Washer
13	90003962621	2	铰接螺栓	Gemel Bolt
14	13070370	1	管夹总成	Pipe Clamp Assembly
15	1004436031	1	管夹总成	Pipe Clamp Assembly

燃油滤清器结合组(Fuel Filter Group)



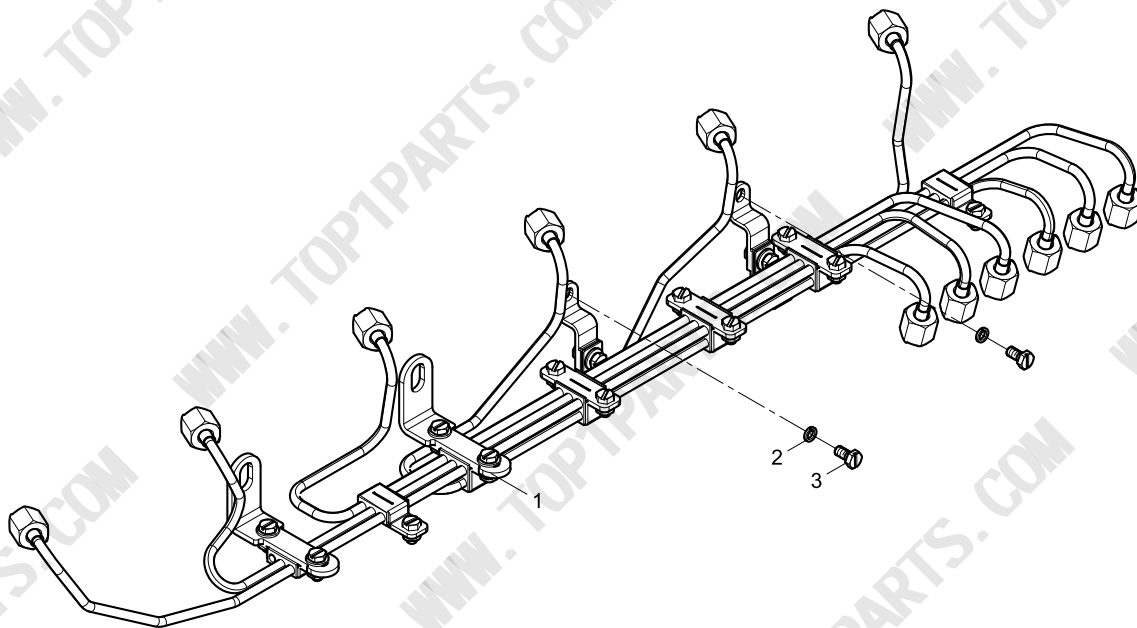
燃油滤清器(Fuel Filter)



燃油滤清器(Fuel Filter)

图序号 Pos.	件号 Part Number	数量 Qty.	中文名称	Part Name
1	612600082813	1	燃油滤清器座	Fuel Filter Seat
2	1000442956	2	燃油精滤芯	Fuel Fine Filter Element

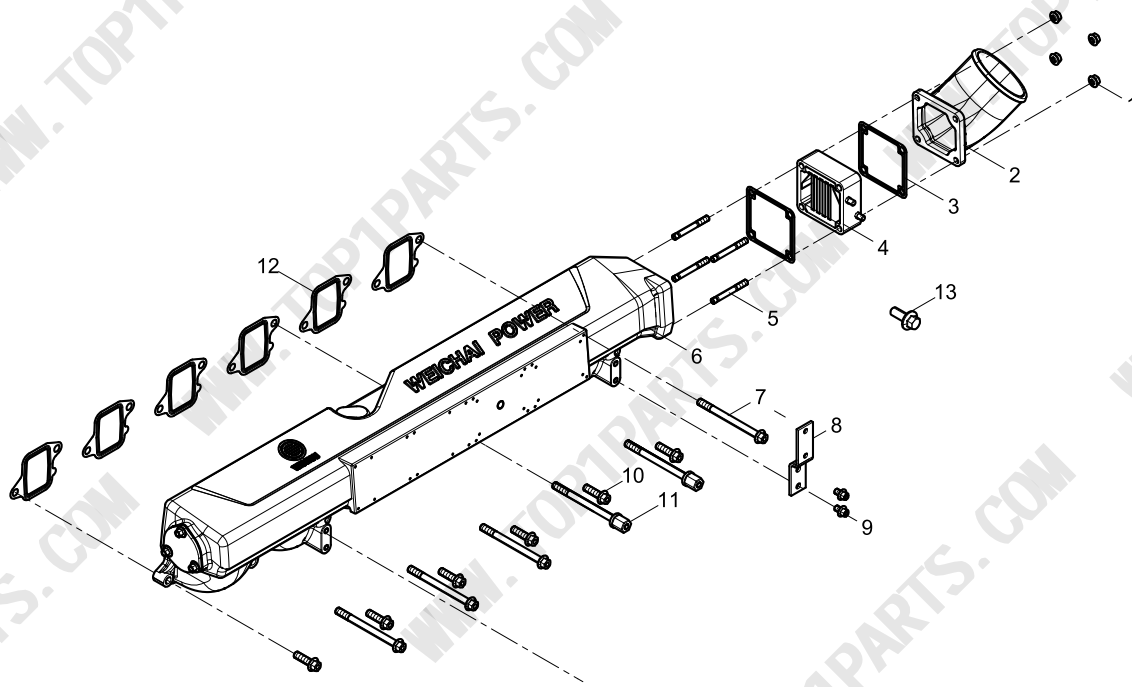
高压油管结合组(High Pressure Fuel Pipe Group)



高压油管结合组(High Pressure Fuel Pipe Group)

图序号 Pos.	件号 Part Number	数量 Qty.	中文名称	Part Name
1	1003175777	1	高压油管总成	High-pressure Fuel Pipe Assembly
2	90014350003	2	弹簧垫圈	Spring Washer
3	90011090002	2	六角头开槽螺栓	Hexagon head bolt

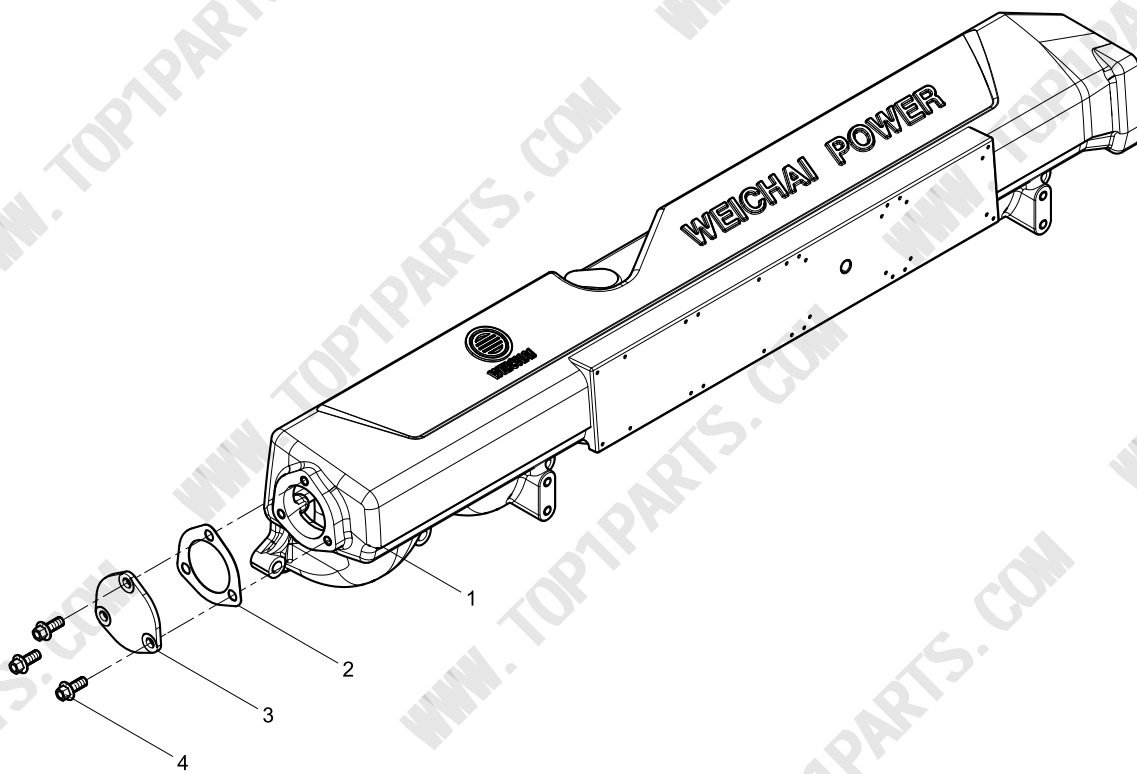
进气管结合组(Intake Manifold Group)



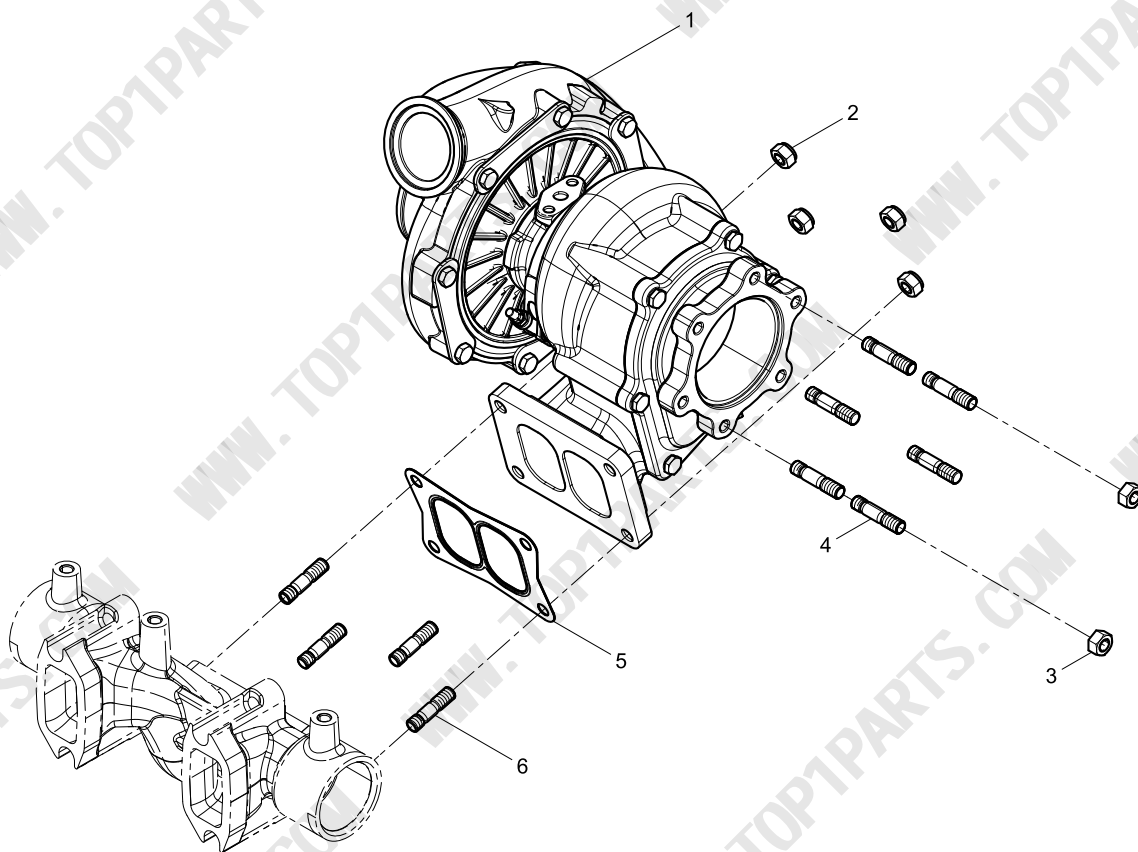
进气管结合组(Intake Manifold Group)

图序号 Pos.	件号 Part Number	数量 Qty.	中文名称	Part Name
1	90012290001	4	六角法兰面螺母	Hexagon Flange Nut
2	612640120001	1	进气接管	Intake Connecting Pipe
3	1001155173	2	垫片	Gasket
4	1003586832	1	加热器	Heater
5	90003813470	4	双头螺柱	Double End Stud
6	1003838021	1	进气管总成	Intake Manifold Assembly
7	9000000672	3	六角法兰面螺栓	Hexagon Flange Bolt
8	612630120205	1	支架	Bracket
9	9000000599	2	六角法兰面螺栓	Hexagon Flange Bolt
10	90011420020	6	六角法兰面螺栓	Hexagon Flange Bolt
11	612630120232	3	螺栓	Bolt
12	612630120005	6	垫片	Gasket
13	90011430015	1	六角法兰面承面带齿螺栓	Hexagon Flange with Tooth Bolt

进气管总成(Intake Manifold Assembly)



增压器结合组(Turbocharger Group)



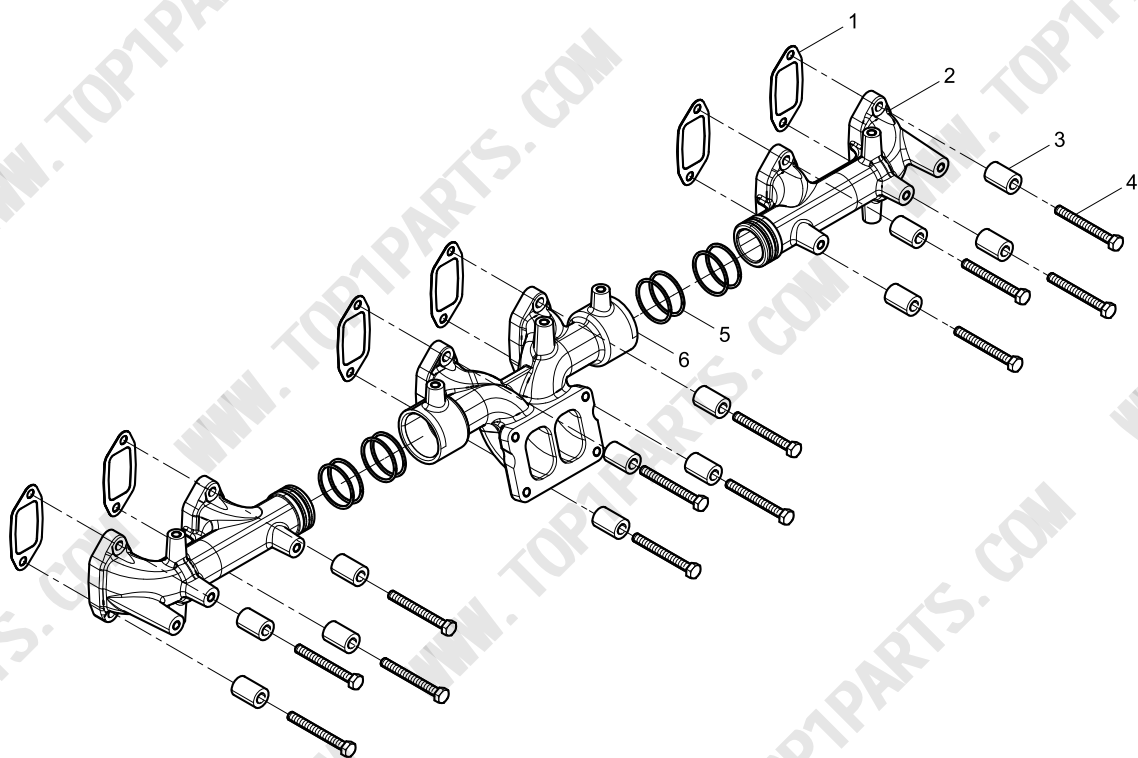
增压器润滑油管结合组(Turbocharger Oil Pipe Group)

can't find EPC image!

增压器润滑油管结合组(Turbocharger Oil Pipe Group)

图序号 Pos.	件号 Part Number	数量 Qty.	中文名称	Part Name
	612600115573	1	增压器油管垫片	Turbocharger Oil Pipe Gasket
	612640110138	1	增压器油管总成	Turbocharger Oil Pipe Assembly
	90003862428	2	内六角圆柱头螺钉	Inner Hexagon Socket Head Cap Screw
	188250083	4	垫圈	Washer
	612600115514	1	垫片	Gasket
	1012929714	1	增压器润滑油管总成	Oil pipe assembly of turbocharger
	1002367771	1	接头	Conversion Adapter
	1012928669	1	管	Pipe
	1012930219	1	管	Pipe
	1012930317	1	管	Pipe
	1013123469	2	波纹管	Sylphon Bellows
	612600112321	2	密封圈	Seal Ring
	612600115035	1	增压器油管法兰	Turbocharger Oil Pipe Flange
	61460070014	2	螺栓	Bolt
	612600080275	2	密封垫圈	Sealing Washer
	612600111639	2	管夹总成	Pipe Clamp Assembly
	90011420025	1	六角法兰面螺栓	Hexagon Flange Bolt
	90003802411	1	六角头螺栓	Hexagon Head Bolt
	612600090391	1	机油压力传感器接头	Oil Pressure Sensor Connector

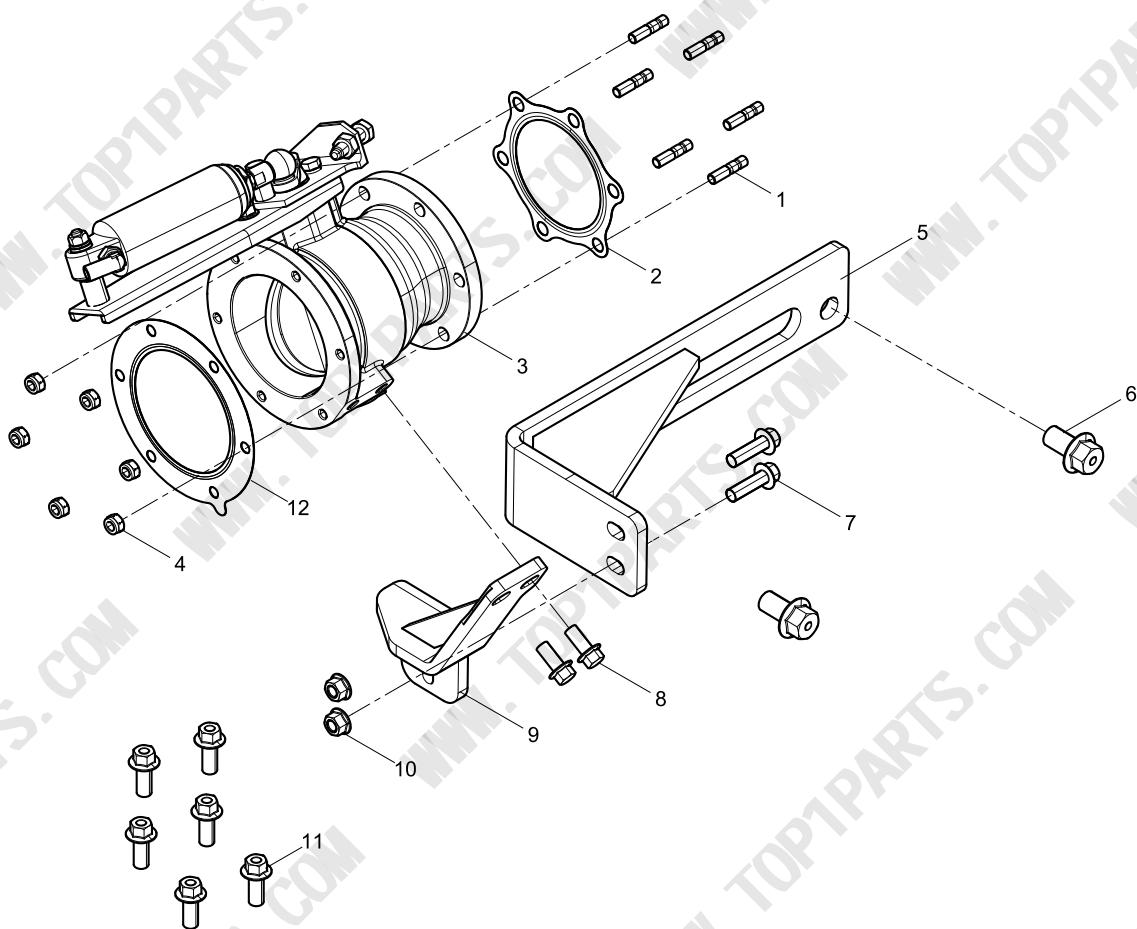
排气管结合组(Exhaust Manifold Group)



排气管结合组(Exhaust Manifold Group)

图序号 Pos.	件号 Part Number	数量 Qty.	中文名称	Part Name
1	612650110003	6	排气管衬垫	Exhasut Manifold Gasket
2	612640110379	2	排气管	Exhaust Manifold
3	1000549050	12	套筒	Sleeve
4	612630110958	12	排气管螺栓	Exhaust Manifold Bolt
5	61260110162	8	排气管密封环	Exhaust Pipe Sealing Ring
6	1001207355	1	排气歧管	Exhaust Manifold

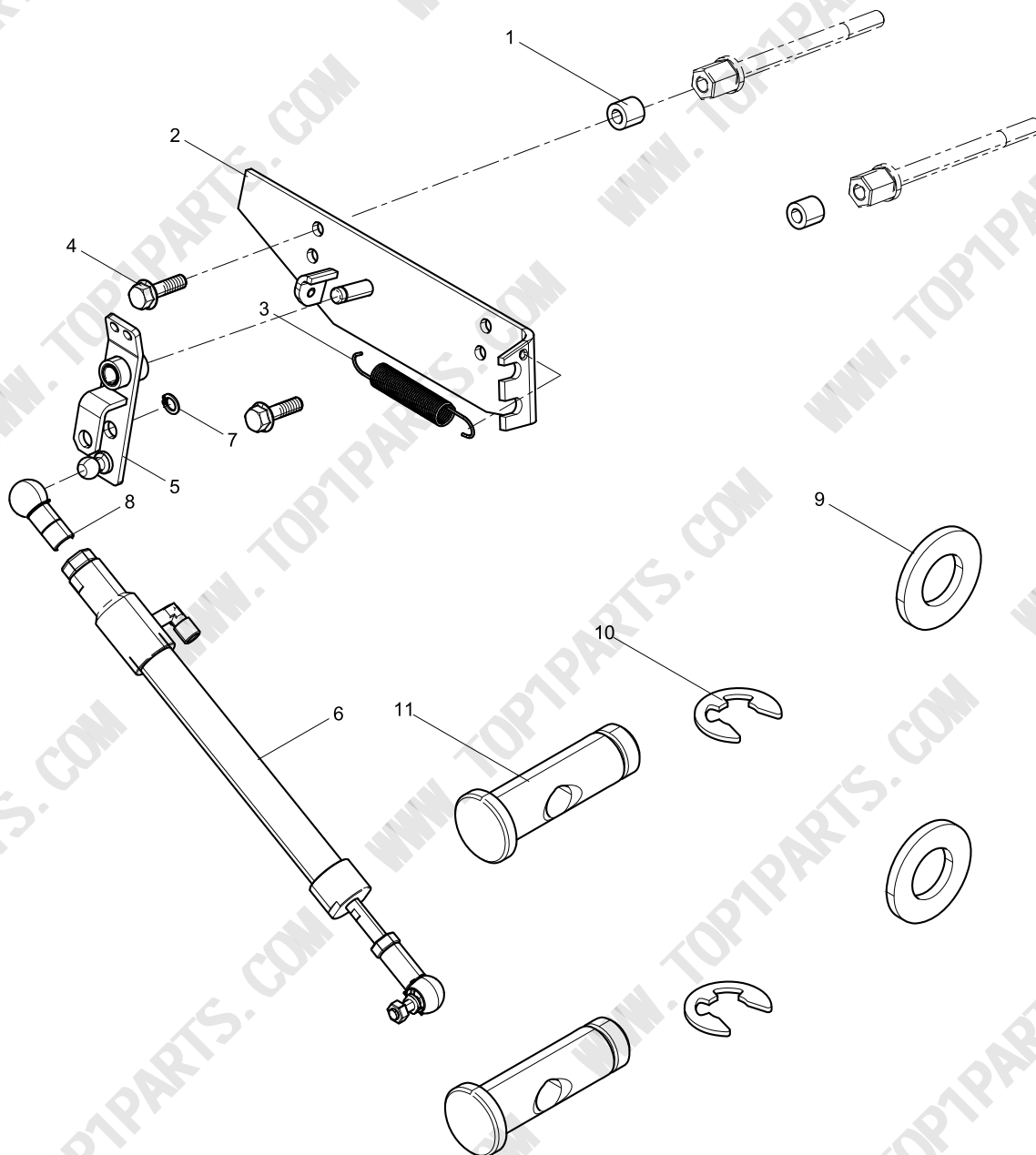
后排气歧管结合组(Rear Exhaust Manifold Group)



后排气歧管结合组(Rear Exhaust Manifold Group)

图序号 Pos.	件号 Part Number	数量 Qty.	中文名称	Part Name
1	1003912040	6	双头螺柱	Double End Stud
2	612630110983	1	排气尾管垫片	Tail pipe gasket
3	1001531834	1	排气制动蝶阀	Exhaust Braking Butterfly Valve
4	612630110037	6	六角螺母	Hexagon Nut
5	1012841399	1	支架	Bracket
6	9000000063	2	六角法兰面螺栓	Hexagon Flange Bolt
7	90011420014	2	六角法兰面螺栓	Hexagon Flange Bolt
8	1005484861	2	排气管螺栓	Exhaust Manifold Bolt
9	1008252815	1	排气接管支架	Exhaust Connecting Pipe Bracket
10	90012290007	2	六角法兰面螺母	Hexagon Flange Nut
11	612600115662	6	全金属六角法兰面锁紧螺母	Prevailing Torque Type All-metal Hexagon Nut with Flange
12	1001553229	1	垫片	Gasket

停车装置结合组(Shut-down Device Group)



停车装置结合组(Shut-down Device Group)

图序号 Pos.	件号 Part Number	数量 Qty.	中文名称	Part Name
1	1000083152	2	垫块	Pad
2	1012830964	1	悬臂总成	Cantalever Assembly
3	99100570065	1	复位弹簧	Return Spring
4	90011420024	2	六角法兰面螺栓	Hexagon Flange Bolt
5	1003047093	1	杠杆总成	Lever Assembly
6	612600081311	1	废气制动停油缸	Exhaust Gas Brake Oil Cylinder
7	90003936415	3	开口挡圈	'E' Ring
8	1011297290	1	管接头	Pipe Joint
9	90014040008	2	平垫圈	Plain Washer
11	99012570084	2	销轴	Pin Shaft

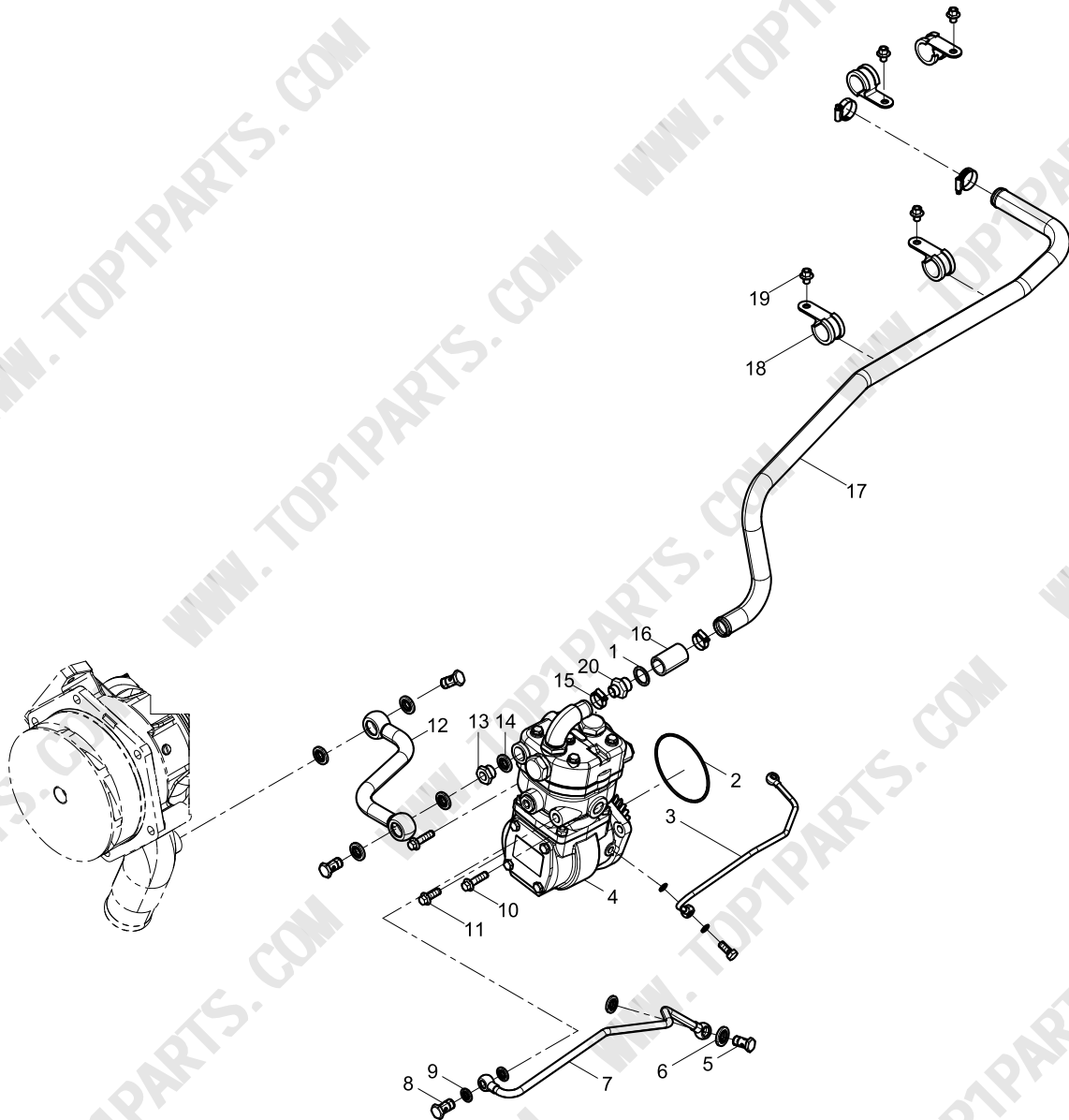


空调压缩机结合组(Air Conditioning Compressor Group)

空调压缩机结合组(Air Conditioning Compressor Group)

图序号 Pos.	件号 Part Number	数量 Qty.	中文名称	Part Name
	1008625105	1	空调压缩机支架	Air Condition Compressor Bracket
	9000000385	3	六角法兰面螺栓	Hexagon Flange Bolt
	9000000169	1	六角法兰面螺栓	Hexagon Flange Bolt

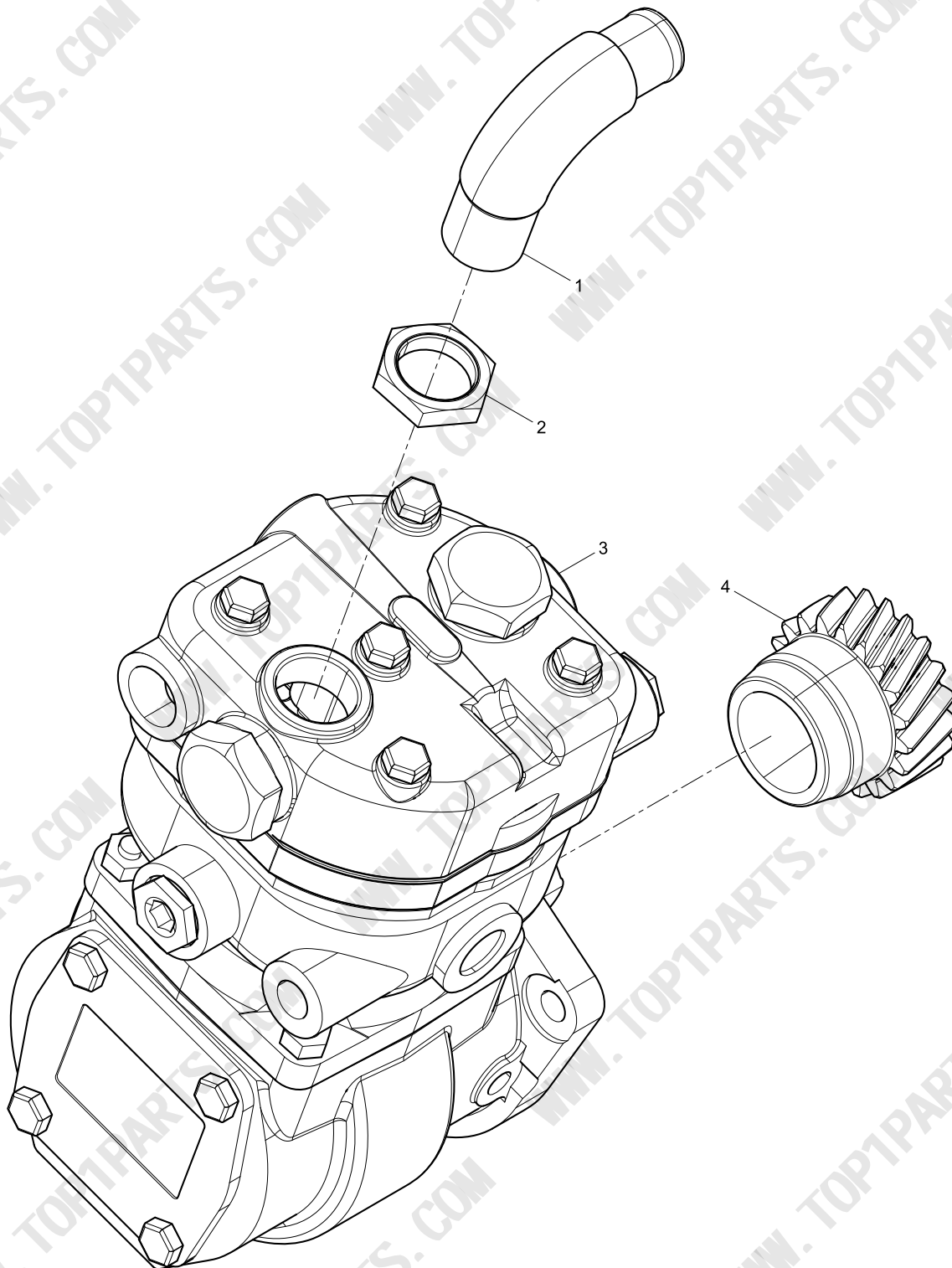
空压机结合组(Air Compressor Group)



空压机结合组(Air Compressor Group)

图序号 Pos.	件号 Part Number	数量 Qty.	中文名称	Part Name
1	612600130037	1	垫圈	Washer
2	30800010003	1	密封圈	Seal Ring
3	1009889473	1	空压机润滑油管总成	Air Compressor Oil Pipe Assembly
4	612600130777	1	空压机总成	Air Compressor Assembly
5	90003962627	3	空心螺栓	Hollow screw
6	13023361	6	组合密封垫圈	Assembled Sealing Washer
7	612600130759	1	空压机水管总成	Air Compressor Water Pipe Assembly
8	90003962621	1	铰接螺栓	Gemel Bolt
9	612600080200	2	垫圈	Washer
10	90011430032	2	六角法兰面承面带齿螺栓	Hexagon Flange with Tooth Bolt
11	90011430017S	1	六角法兰面承面带齿螺栓	Hexagon Flange with Tooth Bolt
12	612600130788	1	空压机水管总成	Air Compressor Water Pipe Assembly
13	1004572649	1	接头体	Joint Body
14	13023364	1	组合密封垫圈	Assembled Sealing Washer
15	90003989301	4	卡箍	Clamp
16	612630060017	1	油路连接胶管	Oil Connecting Rubber Pipe
17	1008831140	1	空压机进气管	Air compressor Air-inlet Pipe
18	612600116432	2	管夹总成	Pipe Clamp Assembly
19	9000000594	2	六角法兰面螺栓	Hexagon Flange Bolt
20	612600130275	1	管接头	Pipe Joint

空压机总成(Air Compressor Assembly)

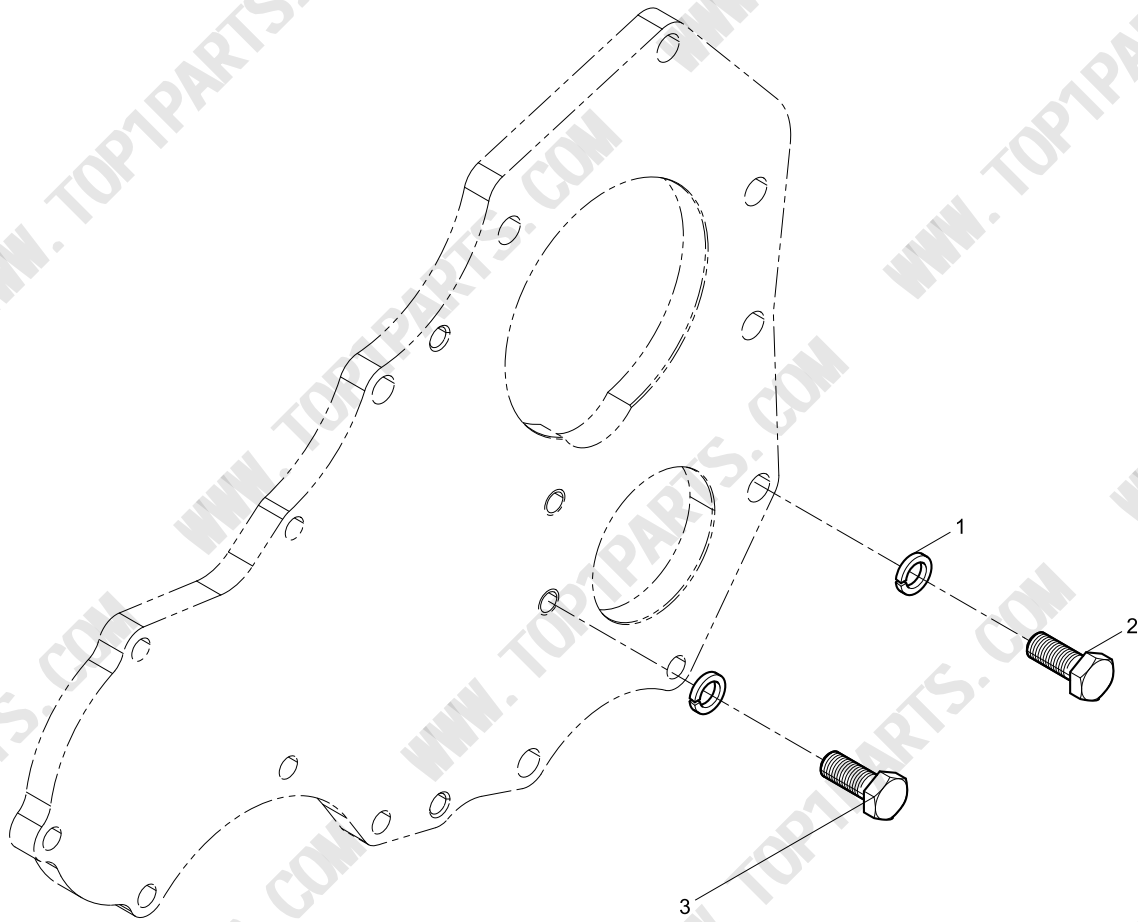




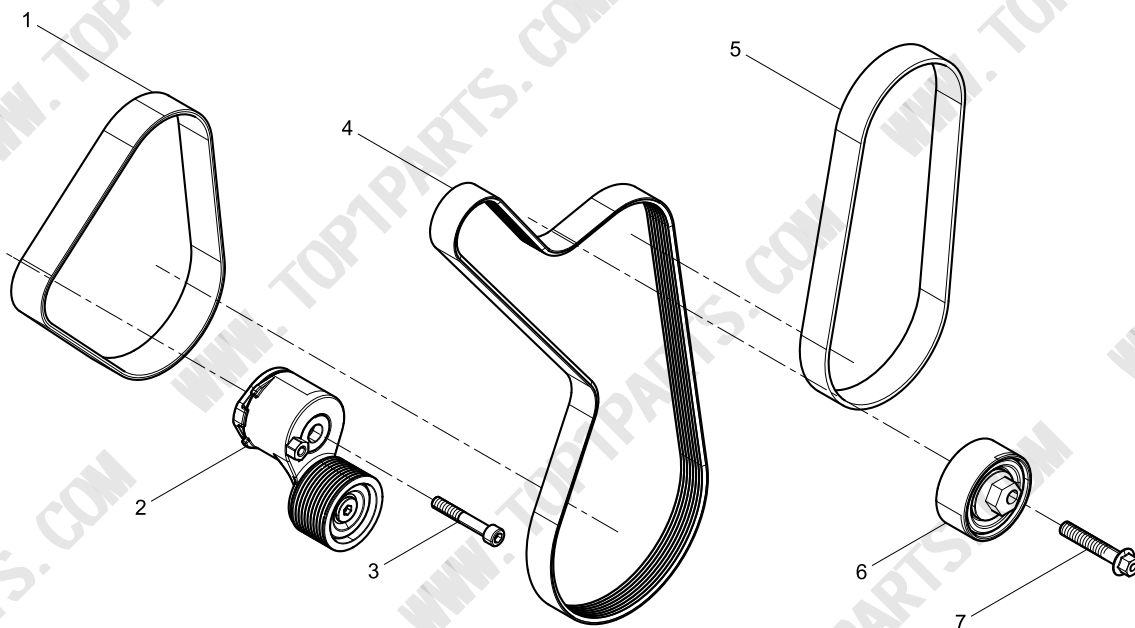
空压机总成(Air Compressor Assembly)

图序号 Pos.	件号 Part Number	数量 Qty.	中文名称	Part Name
1	612600130794	1	管接头	Pipe Joint
2	612600130793	1	六角薄螺母	Hexagon Thin Nut
3	612600130776	1	空压机	Air Compressor
4	612600130309	1	空压机齿轮	Air Compressor Gear

液压泵结合组(Hydraulic Pump Group)



张紧轮及皮带结合组(Tensioner And Belt Group)

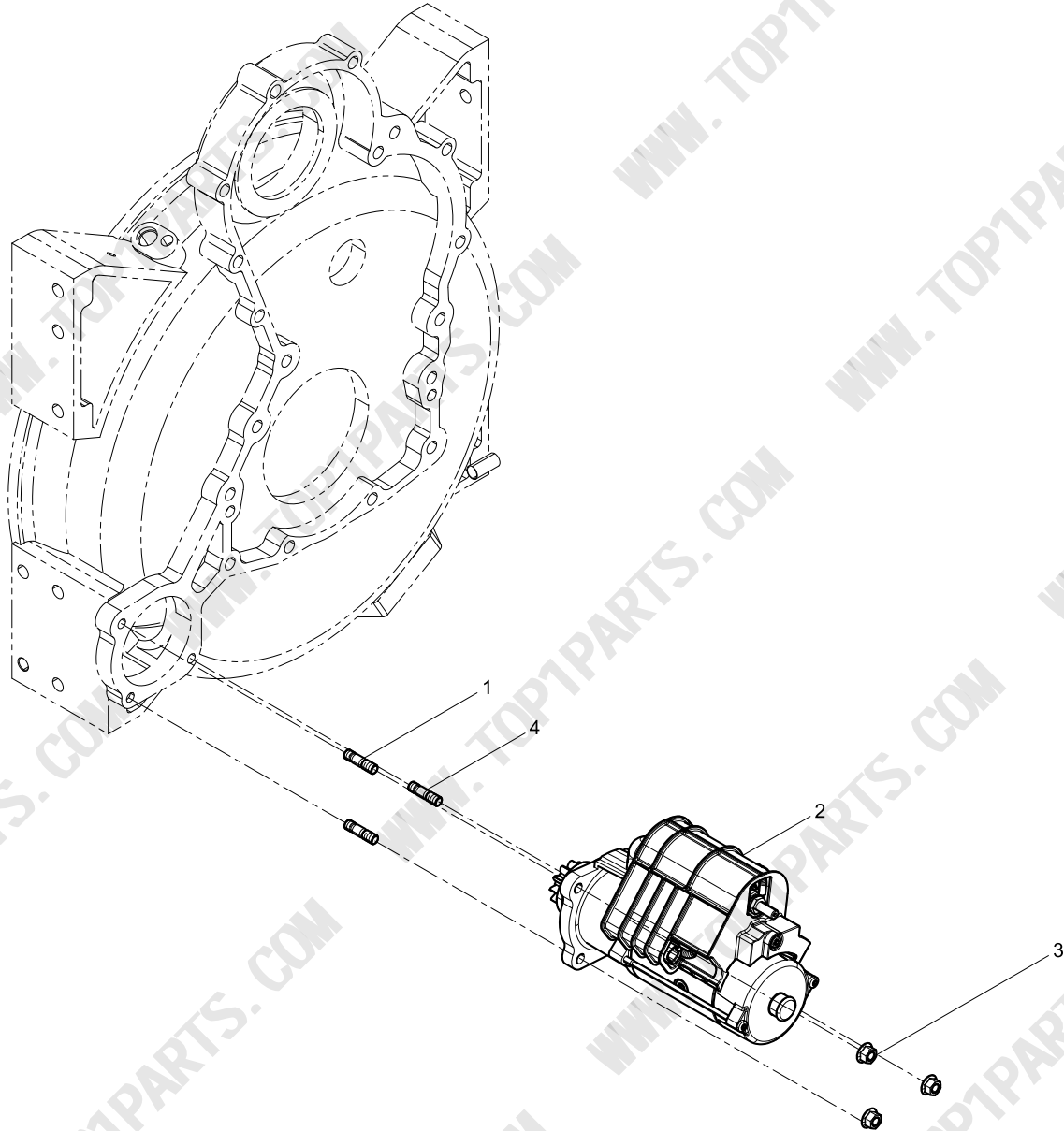




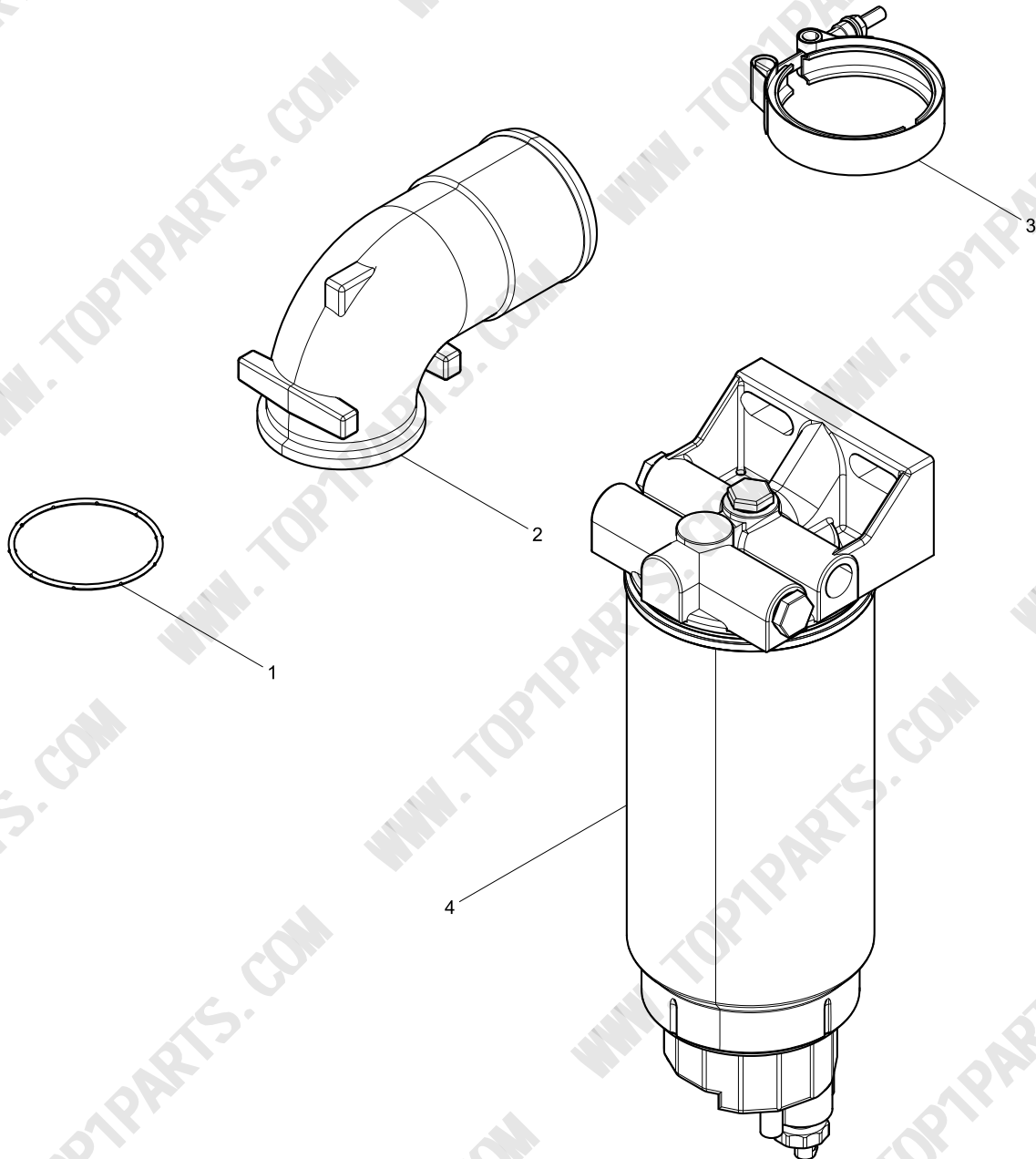
张紧轮及皮带结合组(Tensioner And Belt Group)

图序号 Pos.	件号 Part Number	数量 Qty.	中文名称	Part Name
1	1008594061	1	多楔带	Poly V Belt
2	1008594056	1	自动张紧轮	Automatic Tensioner
3	9000000739S	1	内六角圆柱头螺钉	Inner Hexagon Socket Head Cap Screw
4	1000684186	1	多楔带	Poly V Belt
5	1008594062	1	弹性多楔带	Elastic Poly V Belt
6	1011427242	1	张紧轮总成	Tensioner Assembly
7	9000000814	1	六角法兰面螺栓	Hexagon Flange Bolt

起动机结合组(Starter Motor Group)



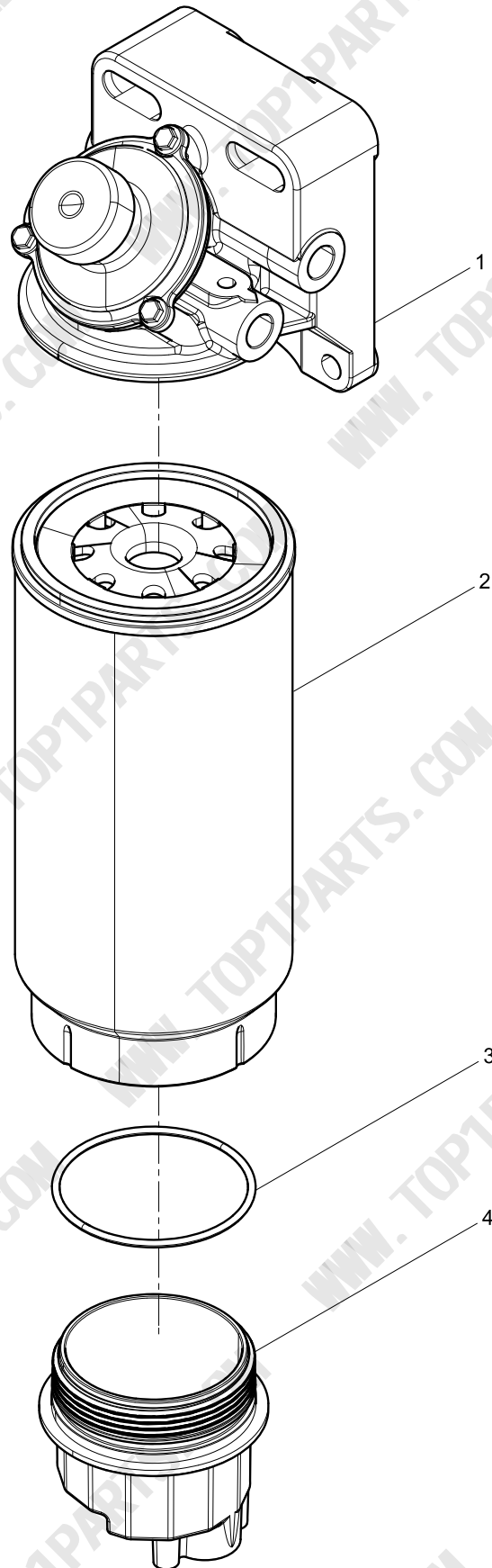
零件箱结合组(Parts Kit Group)



零件箱结合组(Parts Kit Group)

图序号 Pos.	件号 Part Number	数量 Qty.	中文名称	Part Name
1	1006960826	1	异形橡胶密封圈	Shaped Rubber Seal Ring
2	61560110165	1	过渡连接管	Transition Connecting Tube
3	61560110226	1	卡箍	Clamp
4	1000424922	1	燃油粗滤器	Fuel Coarse Filter

燃油粗滤器(Fuel Coarse Filter)

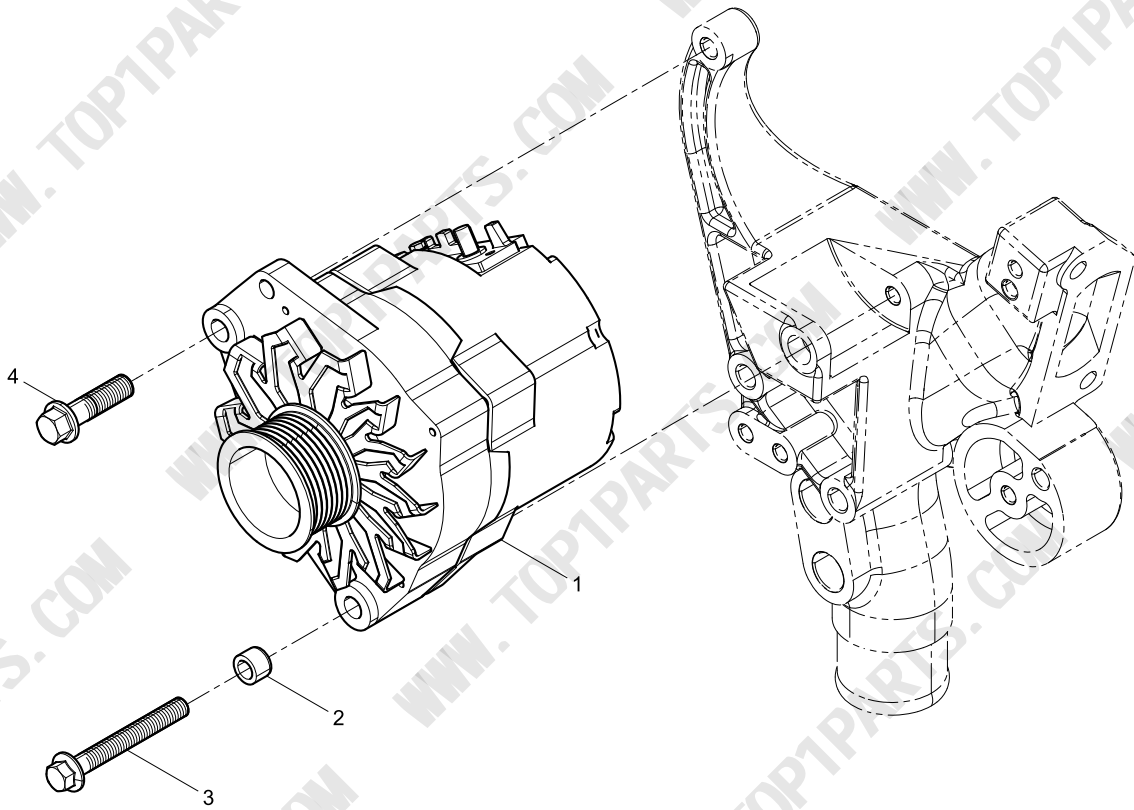




燃油粗滤器(Fuel Coarse Filter)

图序号 Pos.	件号 Part Number	数量 Qty.	中文名称	Part Name
1	612630080371	1	燃油滤清器座	Fuel Filter Seat
2	1000424916	1	燃油粗滤芯	Fuel Coarse Filter Element
3	612600081327	1	密封圈	Seal Ring
4	612600082030	1	水杯总成	Water Cup Assembly

发电机结合组(Alternator Group)





发电机结合组(Alternator Group)

图序号 Pos.	件号 Part Number	数量 Qty.	中文名称	Part Name
1	612600091115	1	发电机	Alternator
2	612600090994	1	压紧块	Clamping Block
3	90011430014	1	六角法兰面承面带齿螺栓	Hexagon Flange with Tooth Bolt
4	90011420012	1	六角法兰面螺栓	Hexagon Flange Bolt

风扇托架结合组(Fan Bracket Group)

can't find EPC image!

发电机支架结合组(Alternator Bracket Group)

