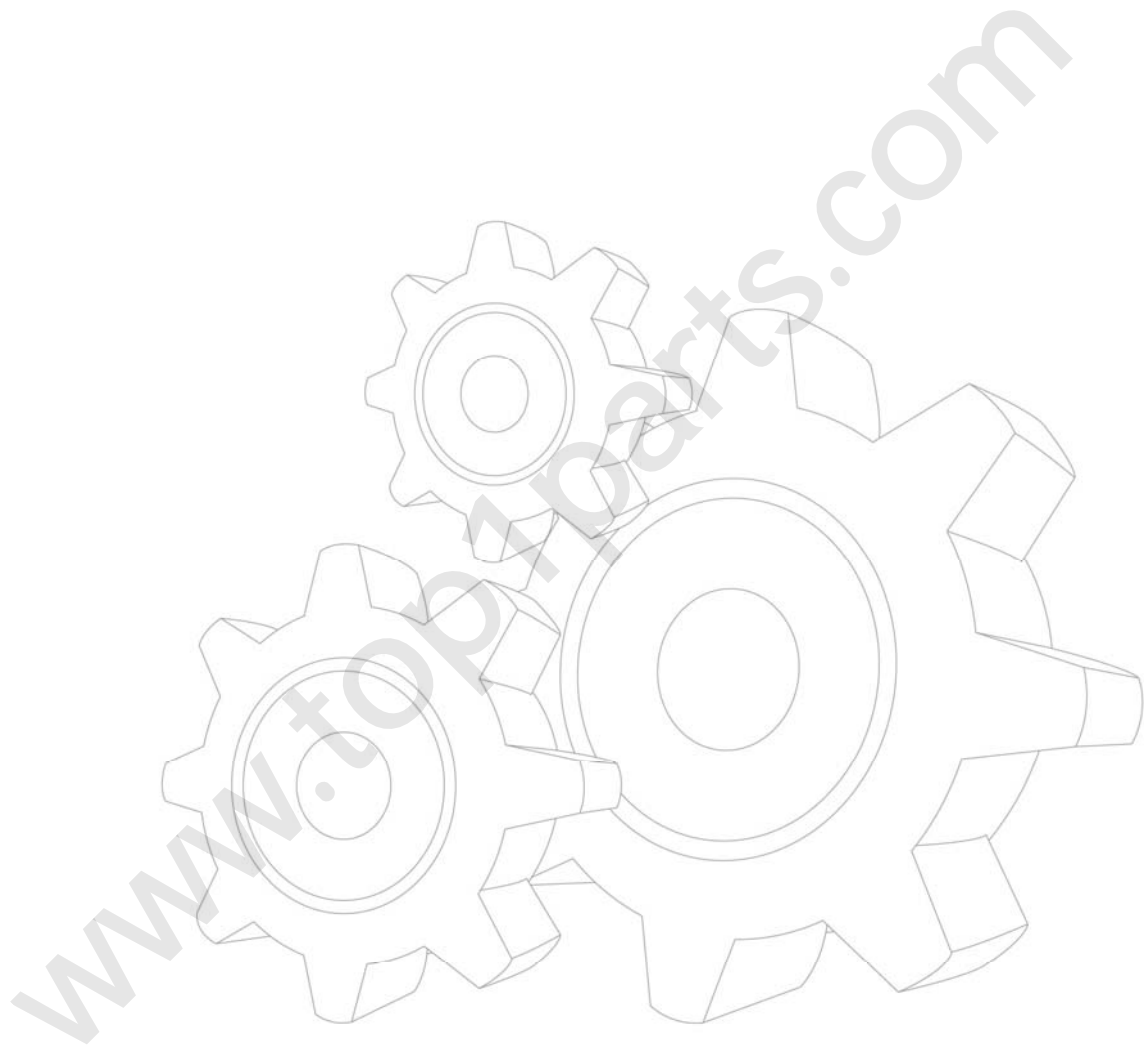




SQ5SK3Q 随车起重机备件图册

SQ5SK3Q Truck-mounted Crane SPARE PARTS CATALOGUE





目次 Contents

前 言.....	I
Preface.....	II
350400753 SQ5SK3Q 随车起重机 Loader crane	1
350400323 吊臂总成 Boom assembly	3
基本臂装配 Basic boom assembly	5
第一节伸缩臂装配 Boom I extension assembly	8
第二节伸缩臂装配 Boom II extension assembly.....	12
第三节伸缩臂装配 Boom III extension assembly	15
350400328 伸缩油缸装配 Extension cylinder assembly	17
350400208 伸缩油缸 Extension cylinder	19
伸缩臂绳索装配 Boom extension rope assembly	21
350401017 回转机座总成 Slewing base	23
转台总成 Column.....	25
350400467 变幅油缸 Derricking cylinder.....	27
358100811 液压绞车 Hydraulic winch.....	29
机座体总成 Base	32
358200044 回转分配器 Slewing distributor	34
358100168 回转减速机 Slewing reducer	36
350400457 活动腿总成 Stabilizer extension.....	39
350400468 水平支腿油缸 Leg cylinder.....	41
350400191 支腿油缸 Leg cylinder.....	43
350400469 操作系统 controls.....	45
351700247 液压油箱总成 hydraulic oil tank	47
350400765 液压系统布管图 Hydraulic system layout.....	49
总页数.....	57



前 言

衷心感谢您对徐工品牌的信赖和认可并使用徐工生产的SQ5SK3Q随车起重机。

本图册提供了“产品名称”列为备件的结构及装配关系，旨在方便备件工程师和用户对起重机更好的维修和保养。本图册应配合产品使用说明书共同使用，请您严格按照备件图册进行操作、维护，使“产品名称”处于最佳工作状态。

为方便用户备件检索，本图册已将“产品名称”的大型结构件及整体采购件拆分至最小可维修单元，在分解图后附有明细表与所示零件一一对应。其中“产品名称(物料编码)”等无拆分单元，因此本图册未对其进行详尽的分析说明。

另外，本图册未涉及SQ5SK3Q随车起重机内容，相关内容请参阅SQ5SK3Q随车起重机图册。

本备件图册及其它随车技术文件是“产品名称”的组成部分，请在产品寿命期内随车妥善保存，共同作为您使用该“产品名称”的必须依据。

我公司保留随技术改进而不断修订《备件图册》内容的权利，如有变更，恕不另行通知，望各位用户予以理解。

2012年10月第1版



Preface

Firstly, thank you for selecting SQ5SK3Q Truck-mounted Crane designed and manufactured by XCMG.

The aim of supplying the catalogue is to facilitate maintenance and service to the SQ5SK3Q Truck-mounted Crane. It should be used together with operation manual and maintenance manual. Please strictly follow the instructions in operation manual and maintenance manual for operation and maintenance.

There are details for assembly of parts in it, Which large structural parts and integrated parts are disassembled into minor maintenance units. There is a list following each detail for user looking up spare parts. Please refer to carrier spare parts catalogue for contents involved with carrier spare parts.

The manual is an integral part of SQ5SK3Q Truck-mounted Crane. Please keep them handy in the driver's or operator's cab with the supplied technical documents and operate the machine according to instruction in them.

We reserve the right to modify the catalogue for improvement without notice.

Xuzhou Truck-mounted Crane Co.Ltd

Add: No. 55, Tuolanshan Road, Xuzhou City, Jiangsu Province, China

Tel: +86-516-4001109999

Fax: +86-516-4001109999

Post Code: 221004

Service Tel: +86-516-83466826

: +86-516-83665573

: +86-516-87892984

Service Fax: +86-516-83466892

Quality Inquiry Tel: +86-516-4001109999

Spare parts Tel: +86-516-87892881

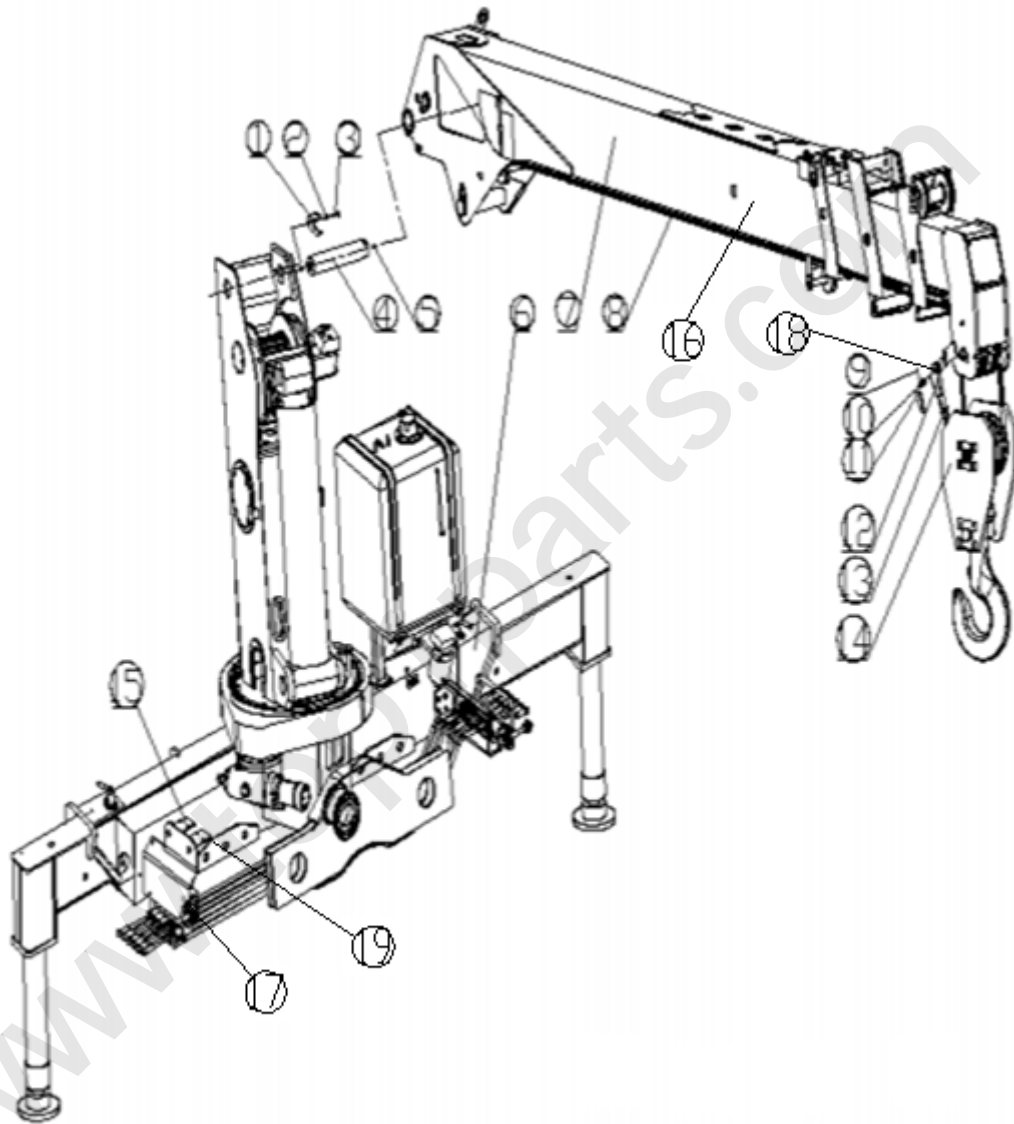
: +86-516-87892963

All rights reserved, Violators will surely be prosecuted

10/2012 First Edition



350400753 SQ5SK3Q 随车起重机 Loader crane



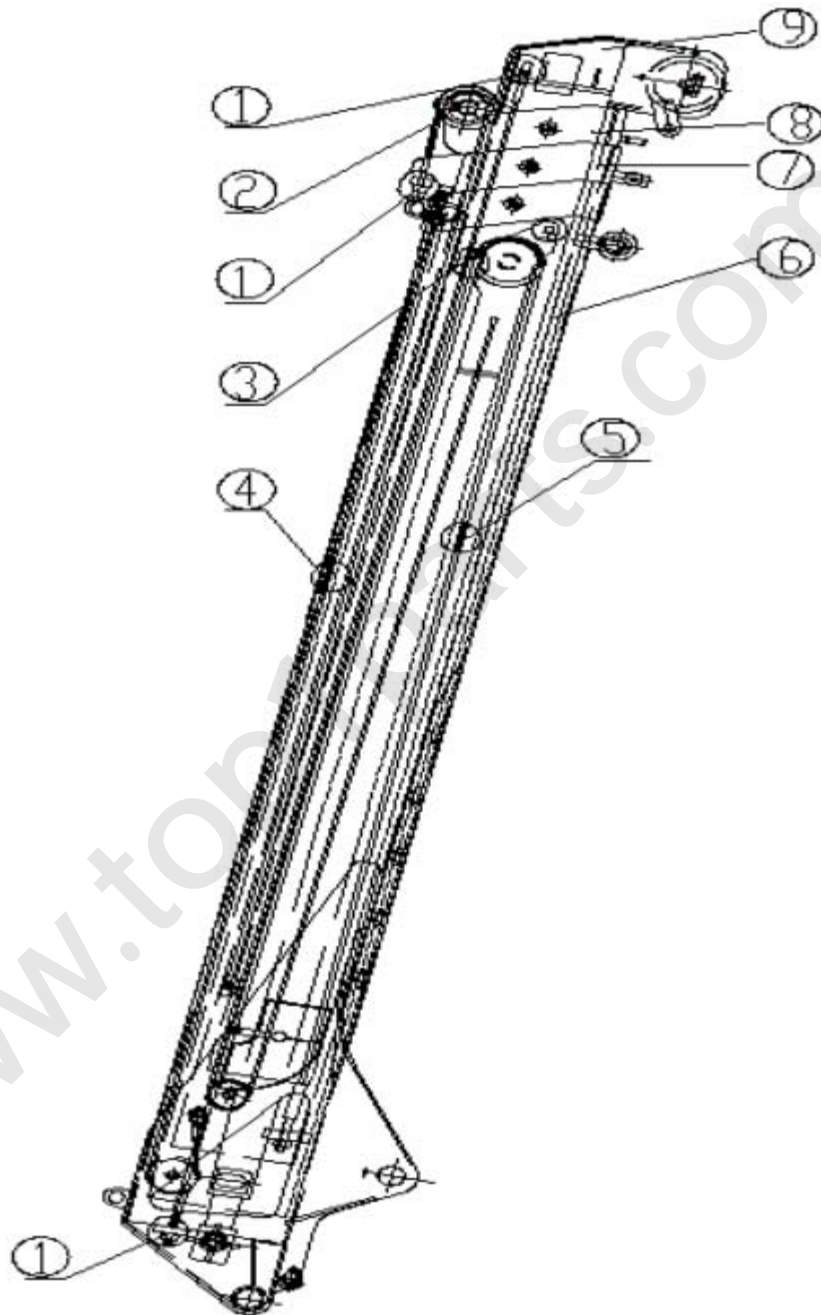


350400753 随车起重机 Loader crane

序号 No.	物料代码 Part Number	名称 Part Name	推荐数量 Advised Q'ty	备注 Remark
1	359400021	卡板 Board	1	
2	805300014	垫圈10 Cushion	1	GB/T93-1987
3	805000043	螺栓M10X30 Bolt	1	GB/T5783-2000
4	350400012	轴 Shaft	1	
5	801100336	油杯M10X1 Oil cup	2	JB/T7940.1-1995
6	350400754	机座回转总成 Rotation platform	1	
7	350400323	吊臂总成 Jib assembly	1	
8	821532949	阻 旋 转 钢 丝 绳 Rope 11NAT-18X7+FC-1870-ZS	1	
9	805600027	开口销 Pin	1	
10	350400502	销轴 Pin shaft	1	
11	350400383	楔 Wedge	1	
12	350400382	楔套 Wedge cover	1	
13	805801088	绳夹 Wope clamp	1	
14	358900002	吊钩总成 Hook assembly	1	
15	350400765	液压系统布管图 Hydraulic system tube	1	
16	350400410	标识总成 Id assembly	1	
17	800305966	软轴 WJ108×3000 Mild spindle	1	
18	350100579	无线高度限位装置装配 Higeness confine position device	1	
19	350802275	电气布线 Wiring diagram	1	



350400323 吊臂总成 Boom assembly



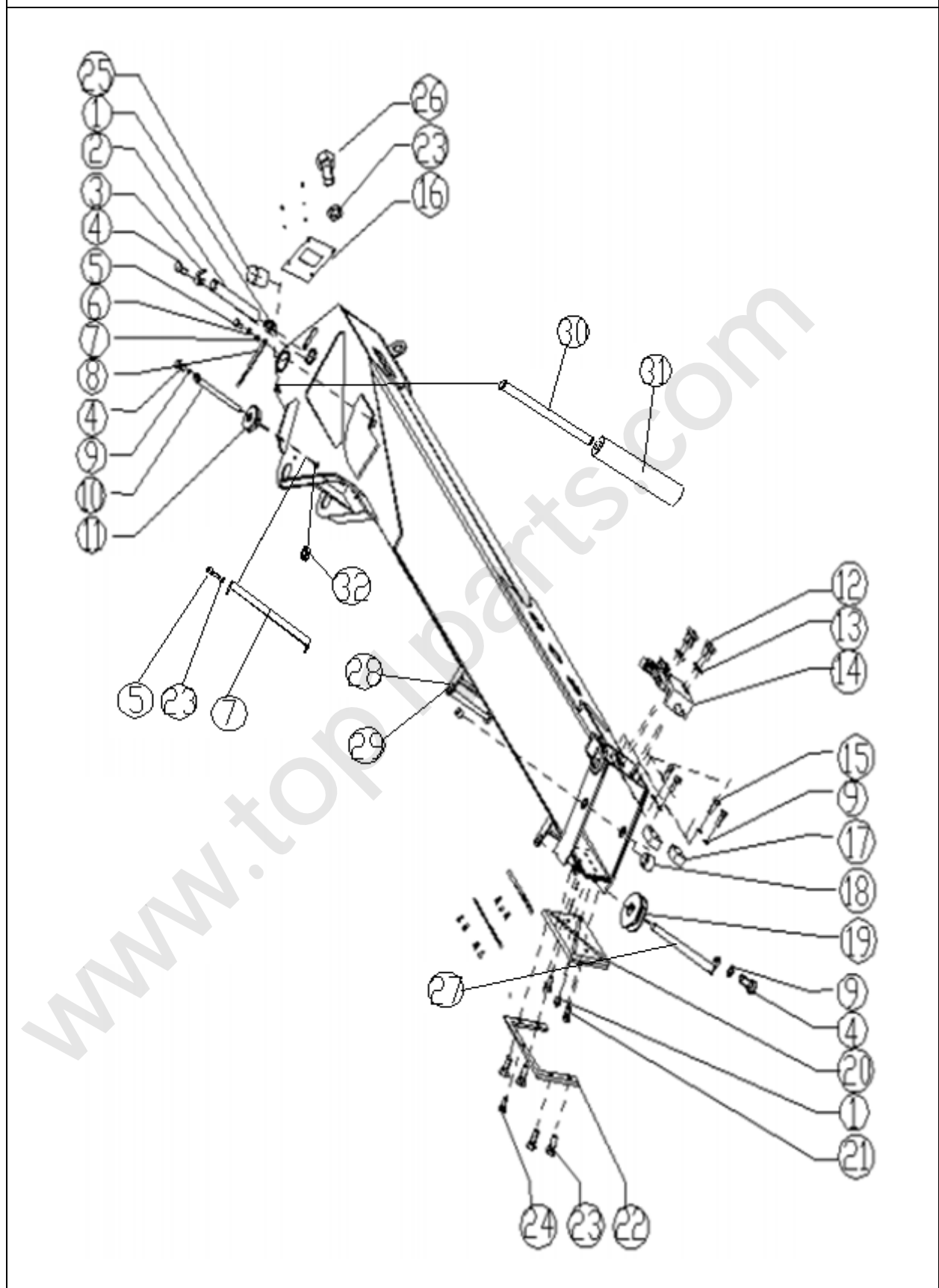


350400323 吊臂总成 Boom assembly

序号 No.	物料代码 Part Number	名称 Part Name	推荐数量 Advised Q'ty	备注 Remark
1	805200052	螺母M20 Nut	12	
2	350400324	拉绳 Rope	2	
3	350400331	细绳索 Rope	1	
4	350400325	缩绳 Rope	1	
5	350400327	粗绳索 Rope	1	
6	350400186	基本臂 Basic boom	1	
7	350400187	一伸臂 Boom 1	1	
8	350400188	二伸臂 Boom 2	1	
9	350400189	三伸臂 Boom 3	1	
10	805201504	螺母 M14 Nut	2	GB/T889.1-2000



基本臂装配 Basic boom assembly





基本臂装配 Basic boom assembly

序号 No.	物料代码 Part Number	名称 Part Name	推荐数量 Advised Q'ty	备注 Remark
1	801103169	油杯 M10×1 Oil cup	3	JB/T7940.2-1995
2	350400020	轴 Shaft	1	
3	359400019	卡板 Check board	1	
4	805000033	螺栓 M8×16 Bolt	2	GB/T5783-2000
5	805100309	螺钉 M6×16 Screw	4	GB/T70.1-2008
6	805300017	垫圈 10 Cushion	2	GB/T97.1-2002
7	350501668	绳档 Rope ward	1	
8	350400332	幅度指示器 Radius indicator	1	
9	805300010	垫圈 8 Cushion	6	GB/T93-1987
10	350400229	销轴 Pin shaft	1	
11	350400200	导向轮 Polot wheel	1	
12	805000715	螺栓 M12×25 Bolt	4	GB/T5783-2000
13	805300018	垫圈 12 Cushion	4	GB/T93-1987
14	353700023	调节机构 Regulating mechanism	1	
15	805000089	螺栓 M8×35 Bolt	4	GB/T5783-2000
16	350400052	后封板 Cover board	1	
17	350400202	滑块 Slip pad	2	
18	359400356	支承块 Support block	4	
19	350400200	导向轮 Polot wheel	1	
20	350400199	滑块 Slip pad	2	
21	805000018	螺栓 M8×20 Bolt	12	GB/T5783-2000
22	350400042	挡块 Check pad	2	
23	805300030	垫圈6 Cushion	8	GB/T93-1987

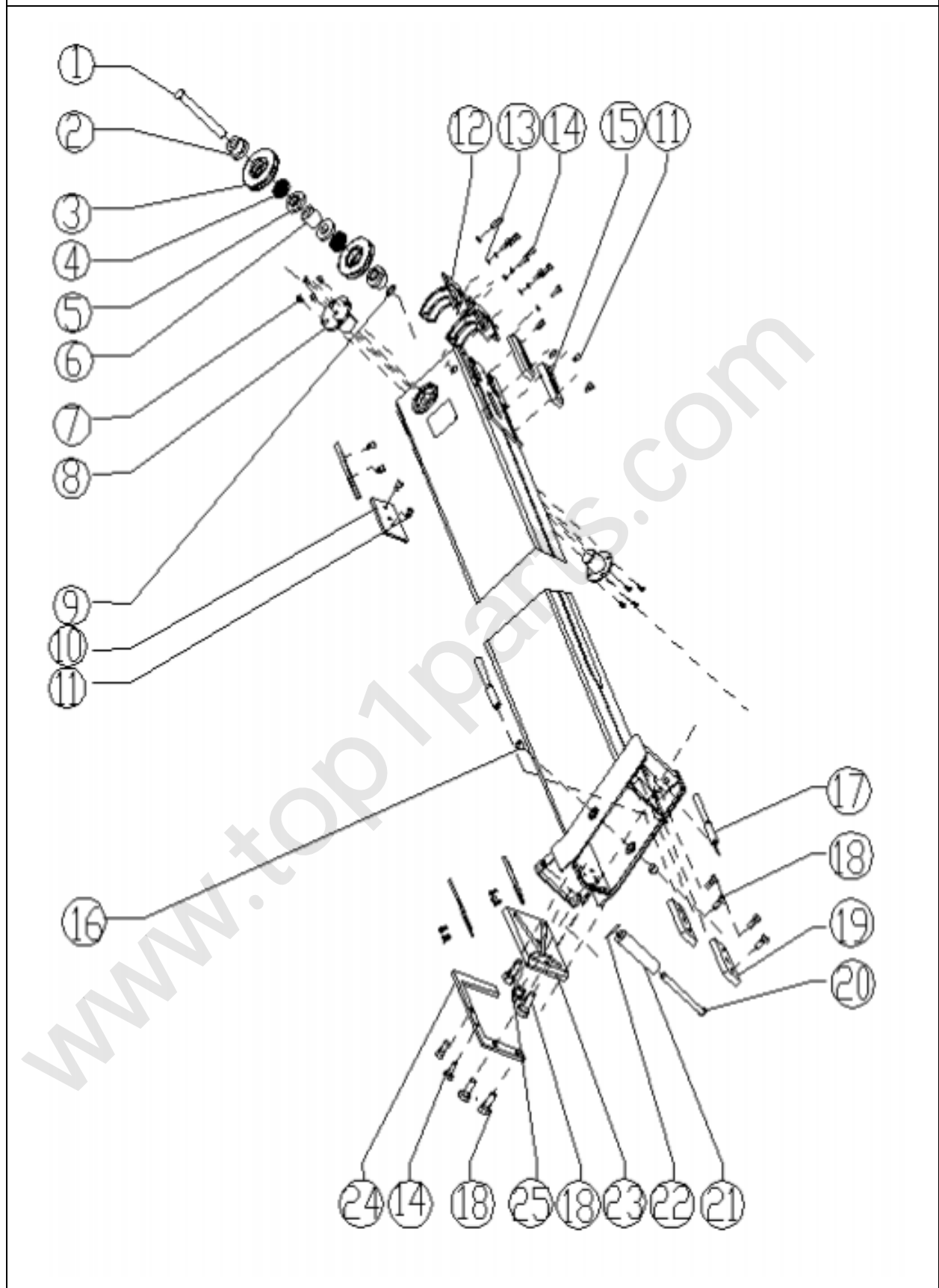


基本臂装配 Basic boom assembly

序号 No.	物料代码 Part Number	名称 Part Name	推荐数量 Advised Q'ty	备注 Remark
24	805000322	螺栓 M6×16 Bolt	2	GB/T5783-2000
25	800513853	无油润滑套 SF-1 Bush	2	
26	805000008	螺栓 M6×12 Bolt	4	GB/T65-2000
27	350400231	销轴 Pin shaft	1	
28	805603894	销 3.6×22 Pin	2	GB/T91-2000
29	350500690	绳挡 Rope ward	1	
30	350500005	销轴 Pin shaft	1	
31	350501335	滚筒 Pulley	1	
32	350401911	尼龙套 Nylon bush	1	



第一节伸缩臂装配 Boom I extension assembly





第一节伸缩臂装配 Boom I extension assembly

序号 No.	物料代码 Part Number	名称 Part Name	数量 Advised Q'ty	备注 Remark
1	350400010	销轴 Pin shaft	1	
2	350500015	轴套 Bush	2	
3	350500027	滑轮 Pulley	2	
4	800500310	圆柱滚子轴承 NUP205Ebearing	2	GB/T283-1994
5	350500016	轴套 Bush	2	
6	350500032	轴套 Bush	1	
7	805104243	螺钉 M6×10 Screw	8	GB/T68-2000
8	350500017	销轴 Pin shaft	2	
9	805400001	挡圈 25 Check ring	1	GB/T894.1-1986
10	350400204	滑块 Slip pad	2	
11	805100101	螺钉 M8×12 Screw	8	GB/T70.1-2008
12	350500037	挡绳架 Ward off rope shelf	2	
13	805300030	垫圈 6 Cushion	8	GB/T93-1987
14	805000322	螺栓 M6×16 Bolt	12	GB/T5783-2000
15	350500162	滑块 Slip pad	2	
16	359400356	支承块 Support block	2	
17	805005196	螺杆 Screw	2	
18	805000018	螺栓 M8×20 Bolt	12	GB/T5783-2000
19	350500168	滑块 Slip pad	2	
20	350500014	轴 Shaft	1	
21	350500171	尼龙套 Nylon bush	1	
22	805600127	销 4×50 Pin	1	GB/T91-2000
23	350400201	滑块 Slip pad	2	
24	350400041	挡块 I Block I	2	



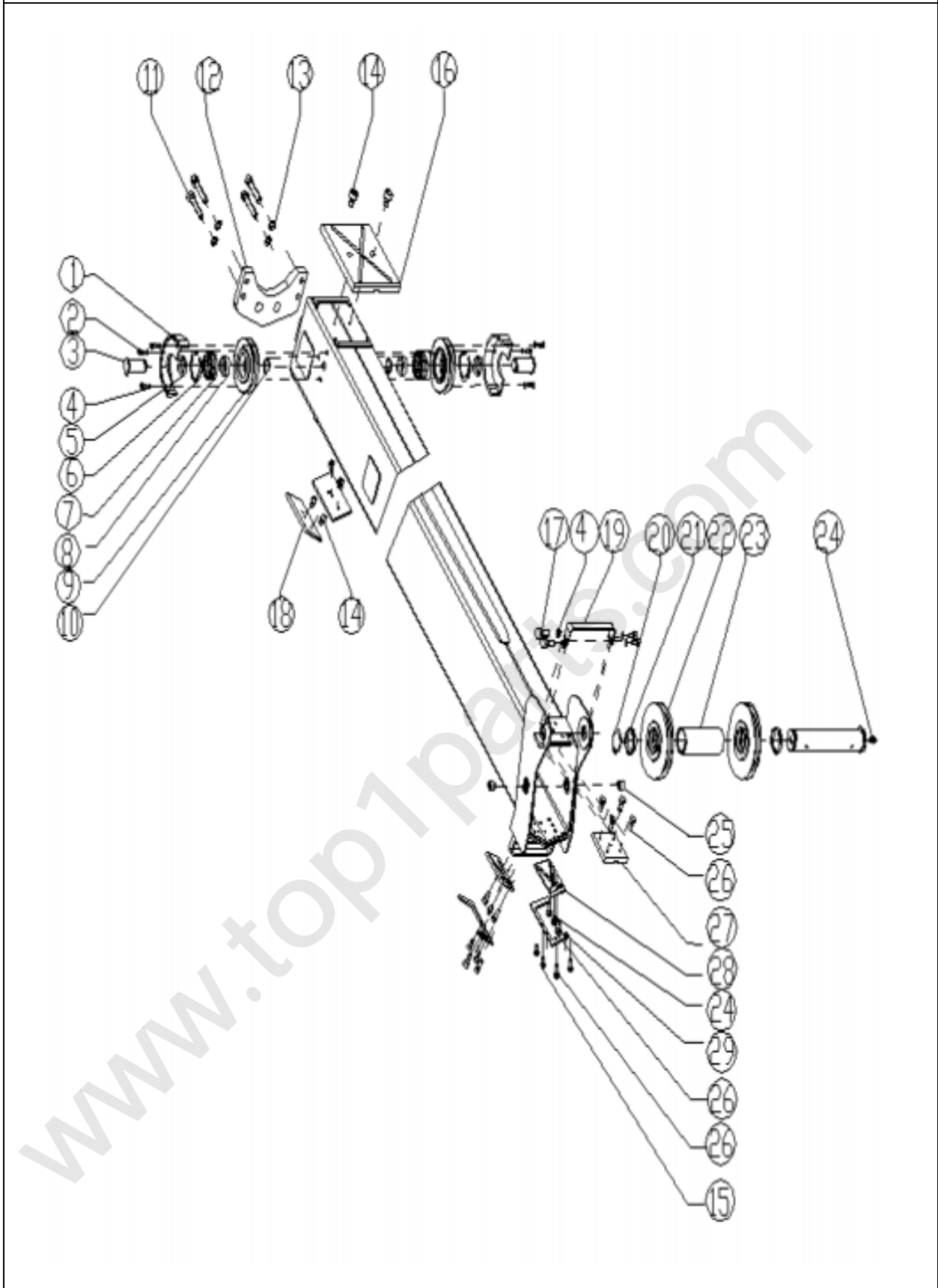
第一节伸缩臂装配 Boom I extension assembly

序号 No.	物料代码 Part Number	名称 Part Name	数量 Advised Q'ty	备注 Remark
25	801103169	油杯 M10×1 Oil cup	2	JB/T7940.2-1995

www.top1parts.com



www.top1parts.com



第二节伸缩臂装配 Boom II extension assembly

序号 No.	物料代码 Part Number	名称 Part Name	数量 Advised Q'ty	备注 Remark
1	350500037	绳挡 Rope ward	2	
2	805000008	螺钉 M6×12 Screw	6	GB/T65-2000
3	350500013	销轴 Pin shaft	2	
4	805300030	垫圈 6 Cushion	10	GB/T93-1987
5	350500012	轴套 Bush	2	
6	805400065	挡圈 52 Check ring	2	GB/T893.1-1986
7	800500310	圆柱滚子轴承 NUP205E Bearing	2	
8	350500021	轴套 Bush	2	
9	350500028	滑轮 Pulley	2	
10	805400001	挡圈 25 Check ring	2	GB/T893.1-1986
11	805000099	螺栓 M12×60 Bolt	4	GB/T5783-2000
12	350500094	连接板 Connecting board	1	
13	805300018	垫圈 12 Cushion	4	GB/T93-1987
14	805100101	螺钉 M8×12 Screw	6	GB/T70.1-2008
15	805000322	螺栓 M6×16 Bolt	4	GB/T5783-2000
16	350500163	滑块 Slip pad	1	
17	805000008	螺栓M6×12 Bolt	4	GB/T5783-2000
18	350500164	滑块 Slip pad	2	
19	350500095	弯板 Board	1	
20	805400016	挡圈 40 Check ring	1	GB/T894.1-1986
21	350500018	轴套 Bush	2	
22	350500031	滑轮 Pulley	2	
23	350500020	轴套 Bush	1	
24	801103108	油杯 M10×1 Oil cup	3	GB/T1153-2000
25	359400356	支撑块 Support block	2	

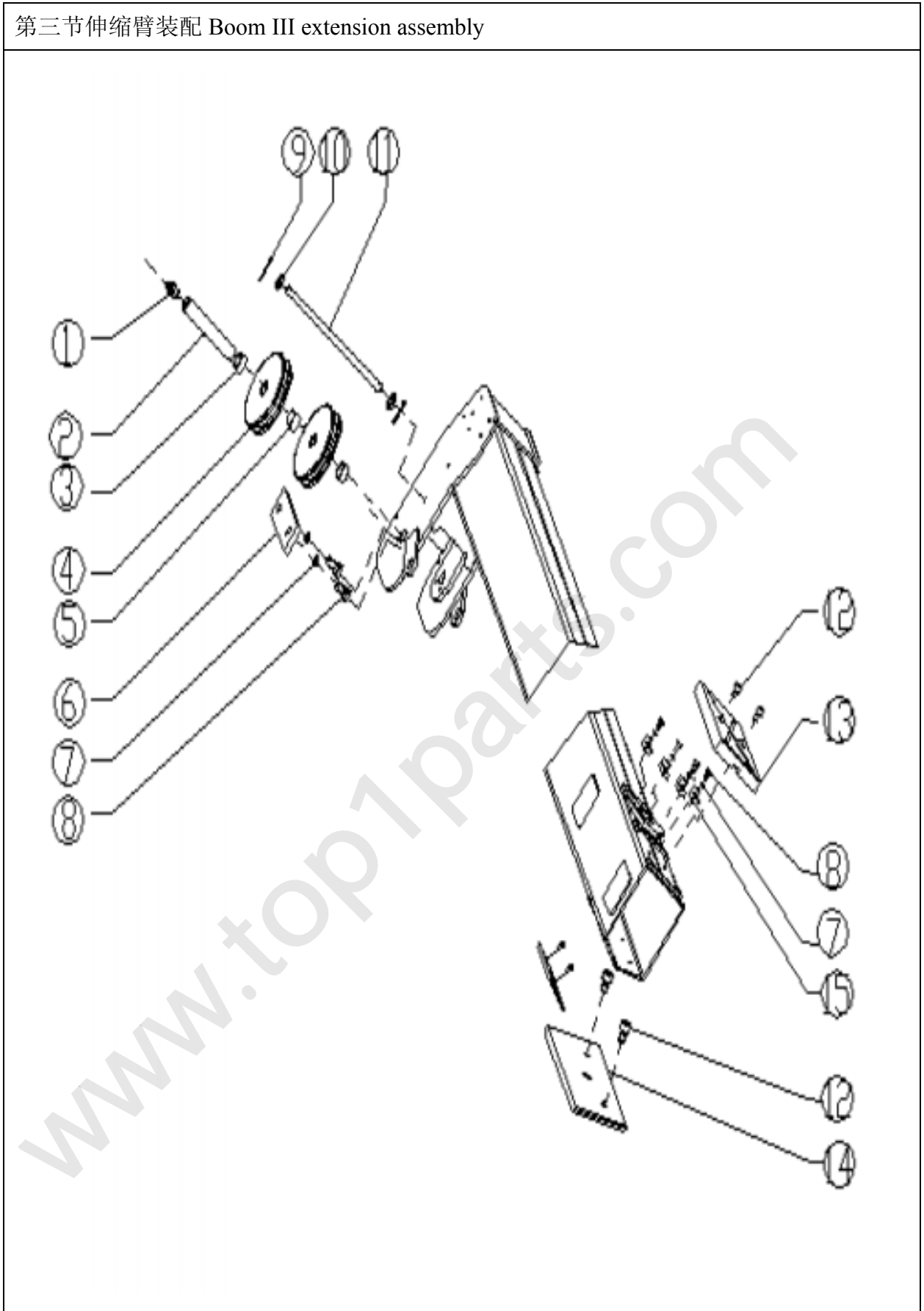


第二节伸缩臂装配 Boom II extension assembly

序号 No.	物料代码 Part Number	名称 Part Name	数量 Advised Q'ty	备注 Remark
26	805000018	螺栓M8×20 Bolt	12	GB/T5783-2000
27	350500169	滑块 Slip pad	1	
28	350500165	滑块 Slip pad	2	
29	350500096	挡块 Block	2	



第三节伸缩臂装配 Boom III extension assembly

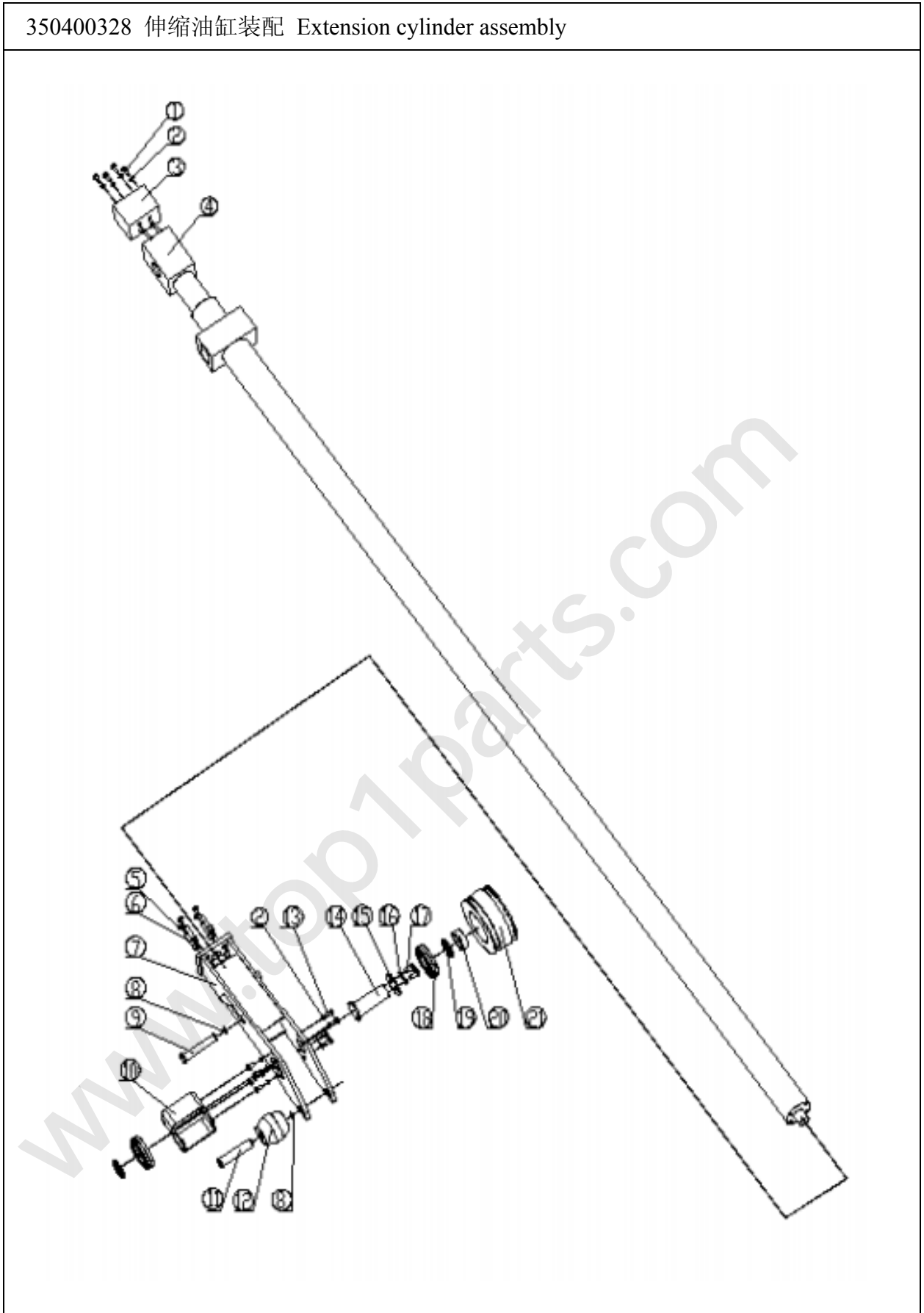


第三节伸缩臂装配 Boom III extension assembly

序号 No.	物料代码 Part Number	名称 Part Name	数量 Advised Q'ty	备注 Remark
1	801103169	油杯M10×1 Oil cup	1	JB/T7940.2-1995
2	350500011	轴 Shaft	1	
3	350500010	隔套 Bush	1	
4	358900021	滑轮 Pulley	2	
5	350400014	隔套 Bush	1	
6	350400039	挡板 Check board	1	
7	805300030	垫圈6 Cushion	6	GB/T93-1987
8	805000008	螺栓M6×12 Bolt	6	GB/T5783-2000
9	805600122	销 3×25 Pin	1	GB/T91-2000
10	805300017	垫圈 10 Cushion	1	GB/T97.1-2002
11	350500092	绳挡 Rope ward	2	
12	805100101	螺钉 M8×12 Screw	4	GB/T70.1-2008
13	350500166	滑块 Slip pad	1	
14	350500167	滑块 Slip pad	2	
15	350500097	挡块 Block	4	



350400328 伸缩油缸装配 Extension cylinder assembly

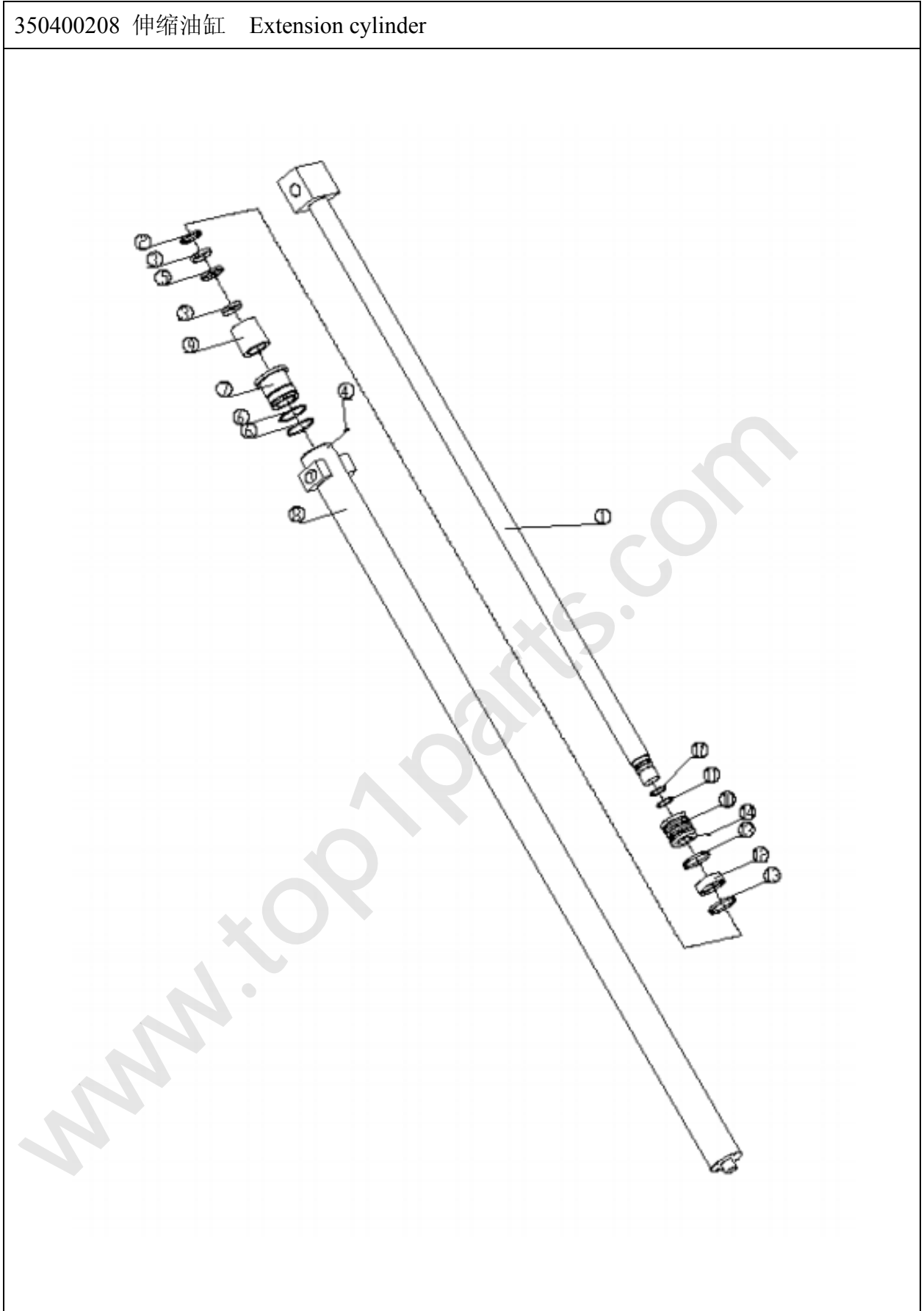


350400328 伸缩油缸装配 Extension cylinder assembly

序号 No.	物料代码 Part Number	名称 Part Name	数量 Advised Q'ty	备注 Remark
1	805100048	螺钉M8X45 Screw	4	GB/T70.1-2000
2	805300010	垫圈 8 Cushion	4	GB/T93-2002
3	803131189	单向平衡阀 Balance valve SPHBA50	1	
4	350400208	伸缩油缸 Telescopic cylinder	1	
5	805300014	垫圈 10 Cushion	4	GB/T93-2002
6	805005296	螺钉 M10X140 Screw	4	GB/T70.1-2000
7	350400051	缸头支架 Bracket	1	
8	805400039	轴用挡圈20 Check ring	1	GB/T894.1-1986
9	350500025	轴 Shaft	1	
10	350500038	弯板 Board	2	
11	350400024	销轴 Pin shaft	1	
12	350400004	滚轮 Idler wheel	1	
13	805000033	螺栓 M8X16 Bolt	8	GB/T5783-2000
14	350500023	轴 Shaft	1	
15	350400132	垫片 Cushion	1	
16	805300014	垫圈 10 Sushion	2	GB/T93-2002
17	805005557	螺栓 M8X20 Bolt	2	GB/T5783-2000
18	800513694	轴承 NUP308E Bearing	2	GB/T283-1994
19	350500030	隔套 Seperate bush	2	
20	350500024	隔套 Seperate bush	1	
21	350500197	滑轮组件 Pulley	1	



350400208 伸缩油缸 Extension cylinder

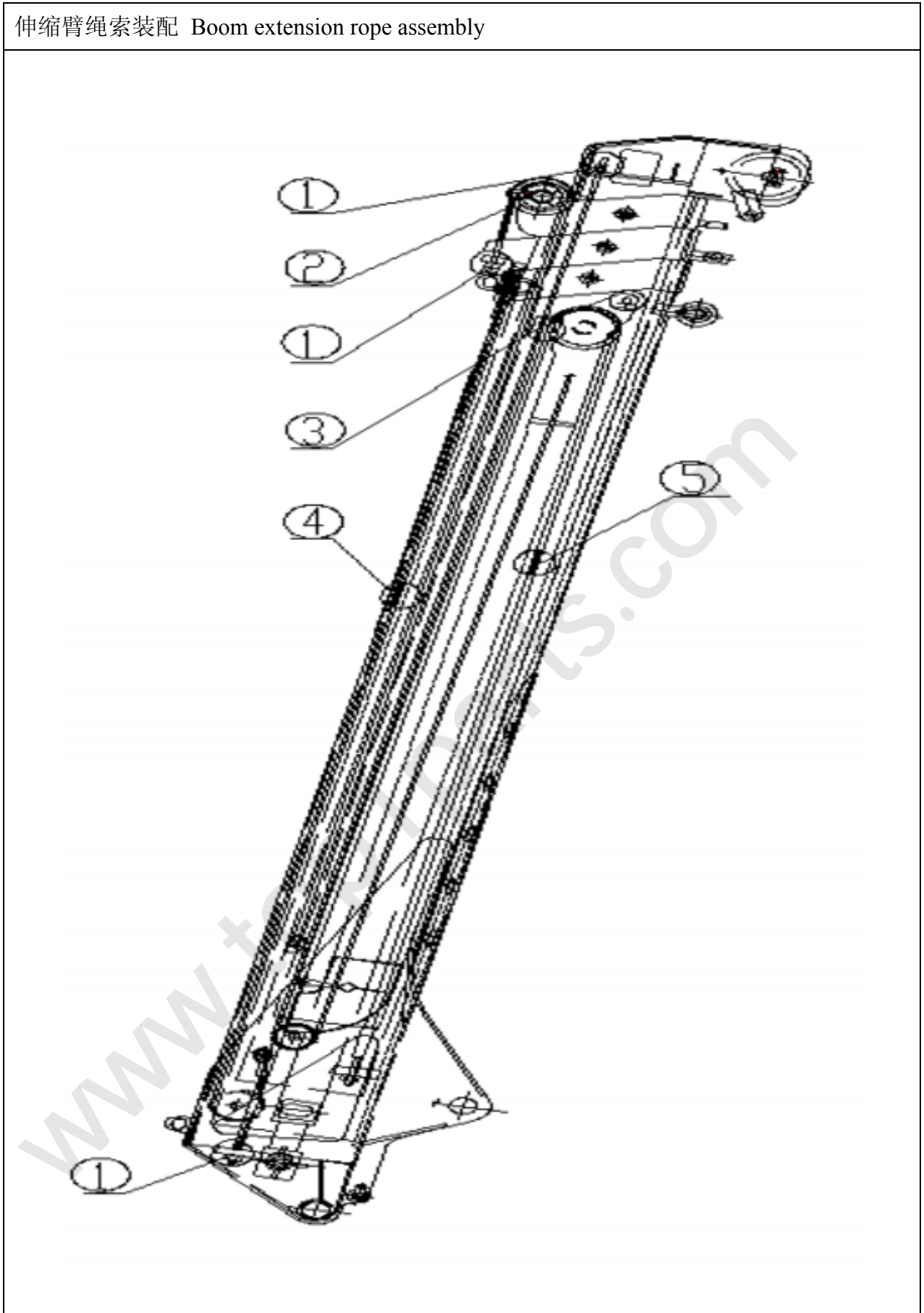


350400208 伸缩油缸 Extension cylinder assembly

序号 No.	物料代码 Part Number	名称 Part Name	数量 Advised Q'ty	备注 Remark
1	911301024	活塞杆 Piston pole	1	
2	803175099	防尘圈 63X71-5/6.5 Dustproof	1	
3	803192669	轴用支撑环 d63X9.7-2.5 Support ring for shaft	2	
4	805101914	紧定螺钉 M5X8 Tightness screw	1	
5	803183085	轴用密封圈 d63X73-6 Sealed ring for shaft	2	
6	801100583	O 型圈 80X3.1 o-ring	2	
7	350700196	导向套 Pilot bush	1	
8	860120495	缸体 Cylinder body	1	
9	359900953	隔套 Separate bush	1	
10	351400250	活塞 Piston	1	
11	801100568	O 型圈 50X3.1 o-ring	2	
12	803192680	组合封 D80X60-35.1 Assembled seal	1	
13	910400153	孔用支撑环 D80X9.7-2.5 Support ring for hole	2	
14	805105467	紧定螺钉 M6X15 Tightness screw	1	



伸缩臂绳索装配 Boom extension rope assembly

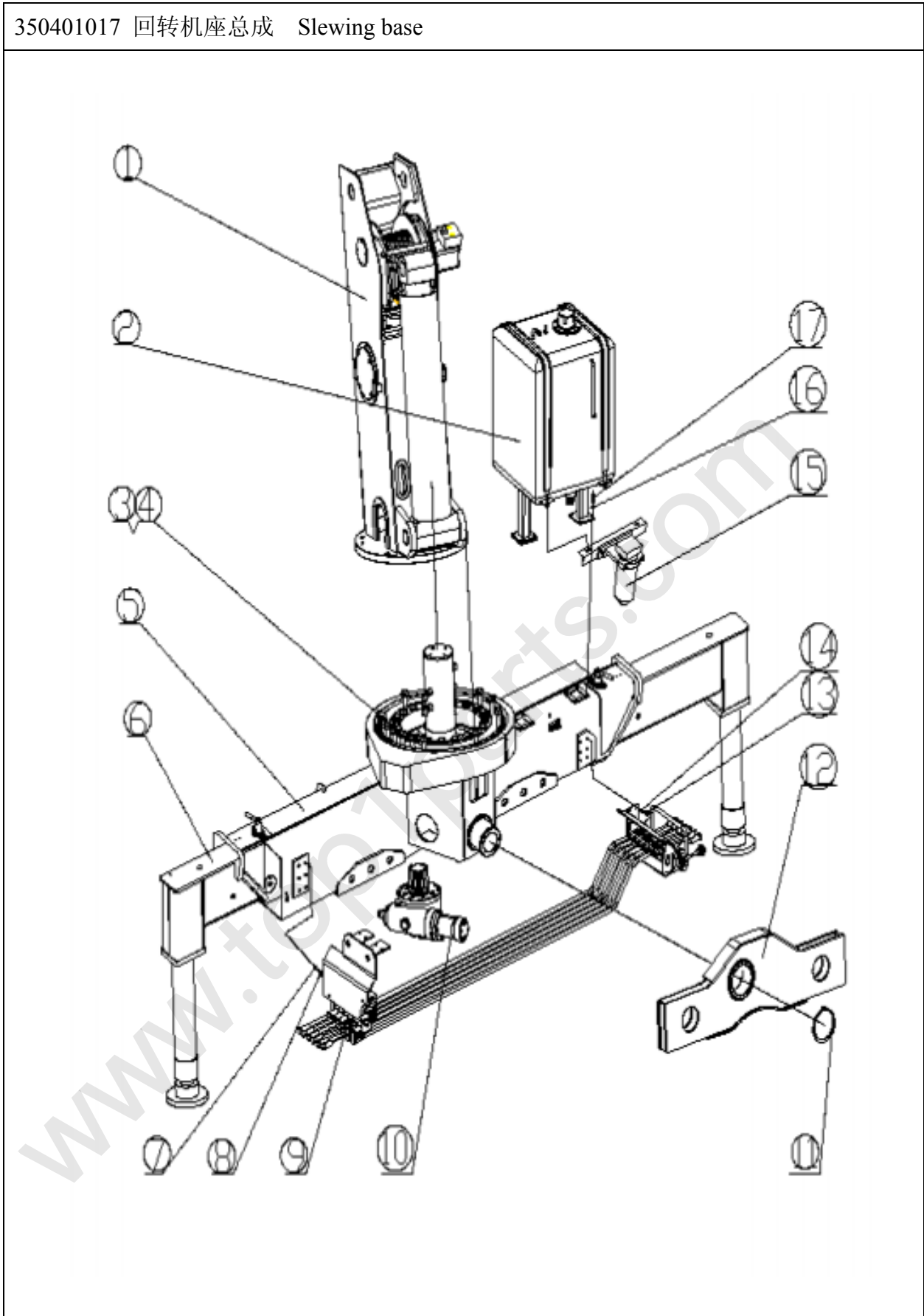


伸缩臂绳索装配 Boom extension rope assembly

序号 No.	物料代码 Part Number	名称 Part Name	推荐数量 Advised Q'ty	备注 Remark
1	805200052	螺母M20 Nut	12	GB/T283-1994
2	350400324	绳 Rope	2	
3	350400331	细绳索 Rope	1	
4	350400325	缩绳 Rope	1	
5	350400327	粗绳索 Rope	1	



350401017 回转机座总成 Slewing base

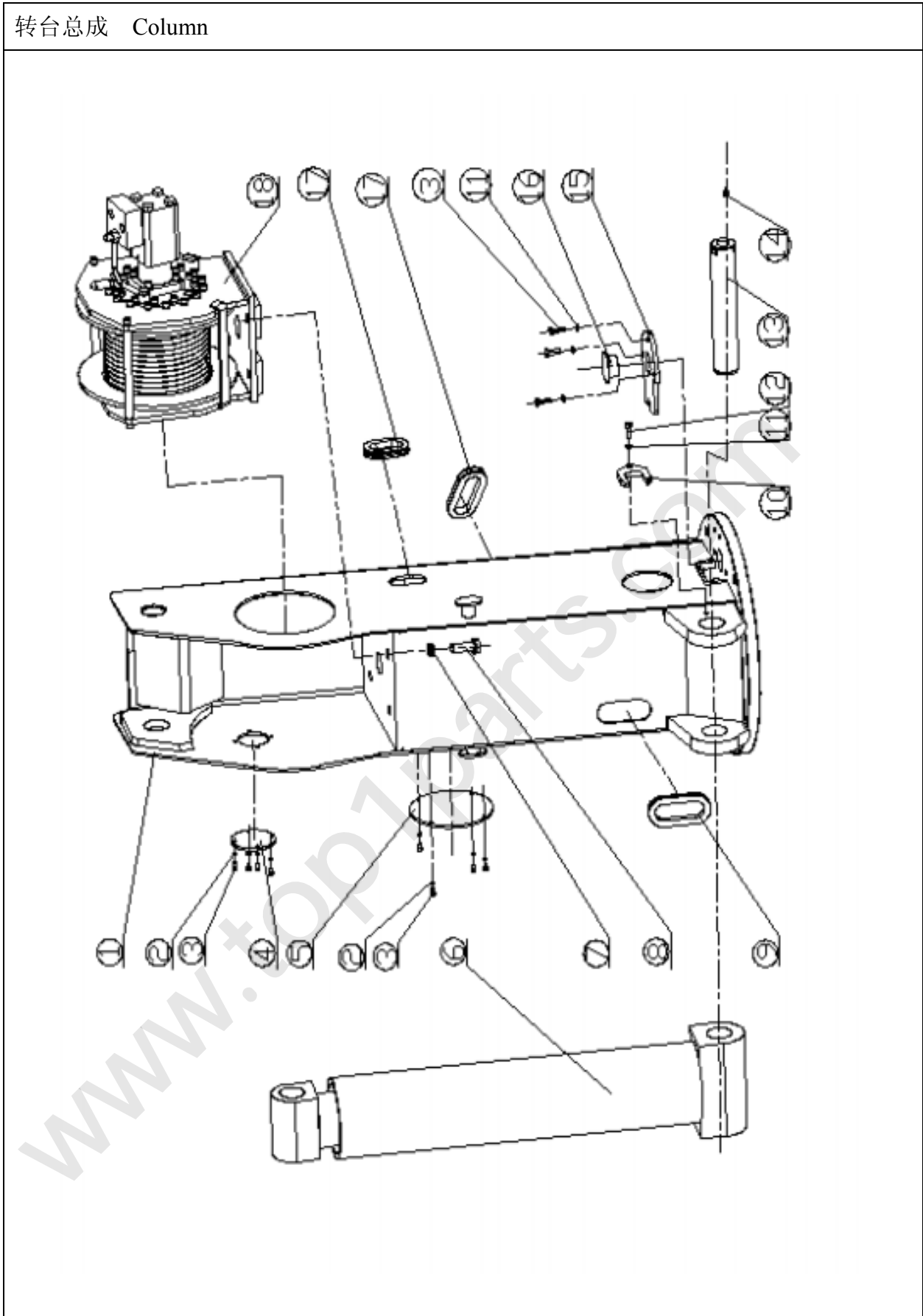


350401017 回转机座总成 Slewing base

序号 No.	物料代码 Part Number	名称 Part Name	推荐数量 Advised Q'ty	备注 Remark
1	350400969	转台 Column	1	
2	351700247	液压油箱总成 Hydraulic oil tank	1	
3	805300023	垫圈20 Cushion ring	20	GB/T93-1987
4	805001977	螺栓M20X100 Bolt	20	GB/T5782-2000
5	350400971	机座体 Base	1	
6	350400457	活动支腿 Stabilizer extension	2	
7	805300030	垫圈6 Cushion ring	6	GB/T93-1987
8	805000322	螺栓M6X16 Bolt	6	GB/T5783-2000
9	350400469	操纵系统 Control system	1	
10	358100161	回转减速机 Slewing reducer	1	
11	805400093	轴用弹性挡圈120 Check ring	1	GB/T894.1-1986
12	350400456	支架 Bracket	1	
13	805000018	螺栓M8X20 Bolt	6	GB/T5783-2000
14	805300010	垫圈8 Cushion ring	6	GB/T93-1987
15	351700393	回油滤油器安装 Oil filter	1	
16	805300014	垫圈10 Cushion ring	8	GB/T93-1987
17	805000727	螺栓M10X25 Bolt	8	GB/T70.1-2008



转台总成 Column

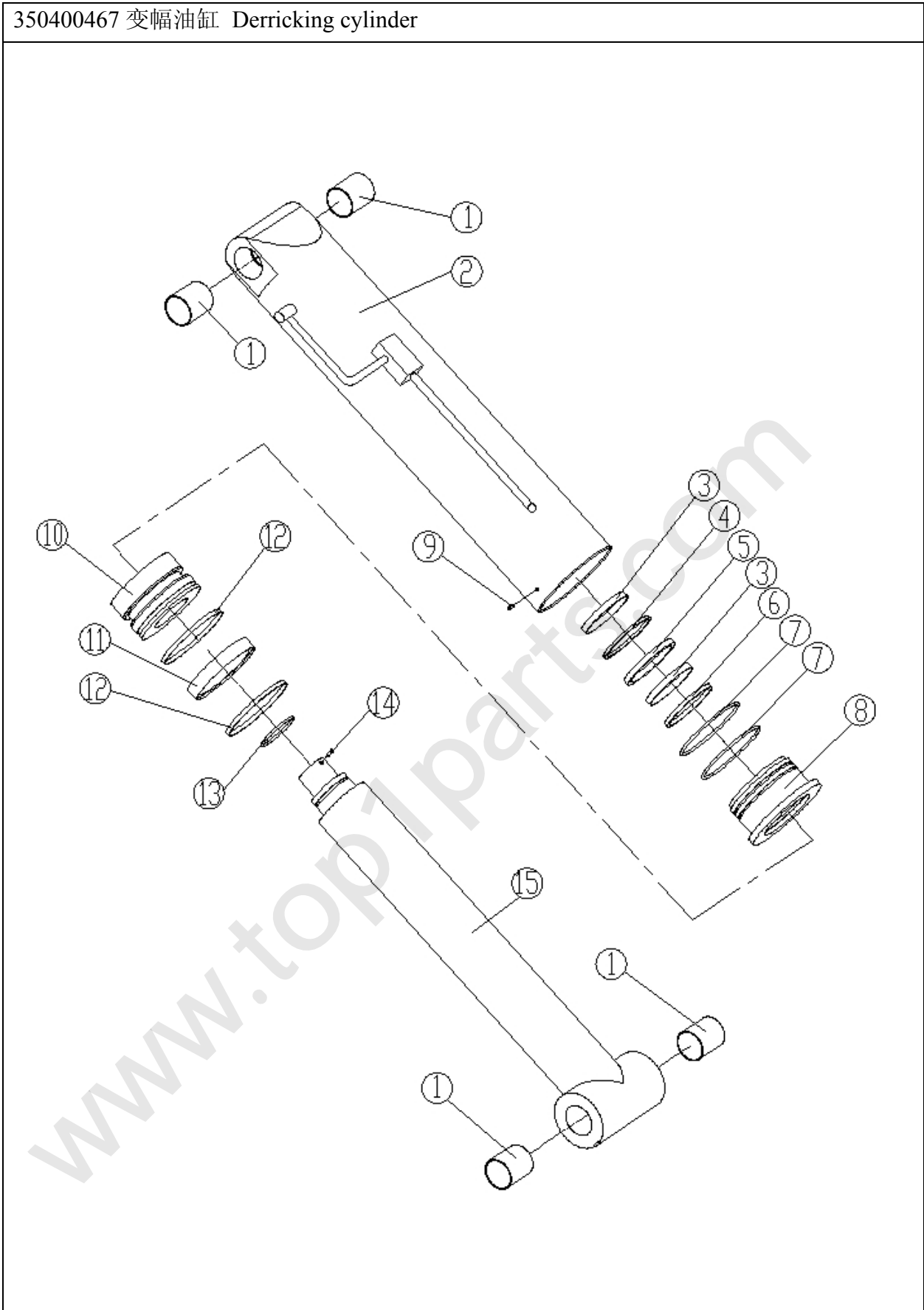


转台总成 Column

序号 No.	物料代码 Part Number	名称 Part Name	数量 Advised Q'ty	备注 Remark
1	353600038	转台结构 Column	1	
2	805300030	垫圈6 Cushion ring	4	GB/T93-1987
3	805102982	螺钉M6X10 Screw	4	GB/T70.1-2008
4	350500044	盖板 Cover board	1	
5	350400045	盖板 Cover board	1	
6	350400467	变幅油缸 Derricking cylinder	1	
7	805300023	垫圈20 Cushion ring	4	GB/T93-1987
8	805000845	螺栓M20X55 Bolt	4	GB/T5783-2000
9	359400086	橡胶套 Rubber bush	1	
10	359400021	卡板 Clip board	1	
11	805300014	垫圈10 Cushion ring	1	GB/T93-1987
12	805000043	螺栓M10×30 Bolt	1	GB/T5783-2000
13	350400043	轴 Shaft	1	
14	801100336	油杯M10X1 Oil cup	1	GB/T7940.1-1995
15	350400038	拨叉 Fork	1	
16	359400092	盖子 Cover	1	
17	359400347	橡胶套 Rubber bush	2	
18	358100811	液压绞车总成 Hydraulic winch	1	



350400467 变幅油缸 Derricking cylinder

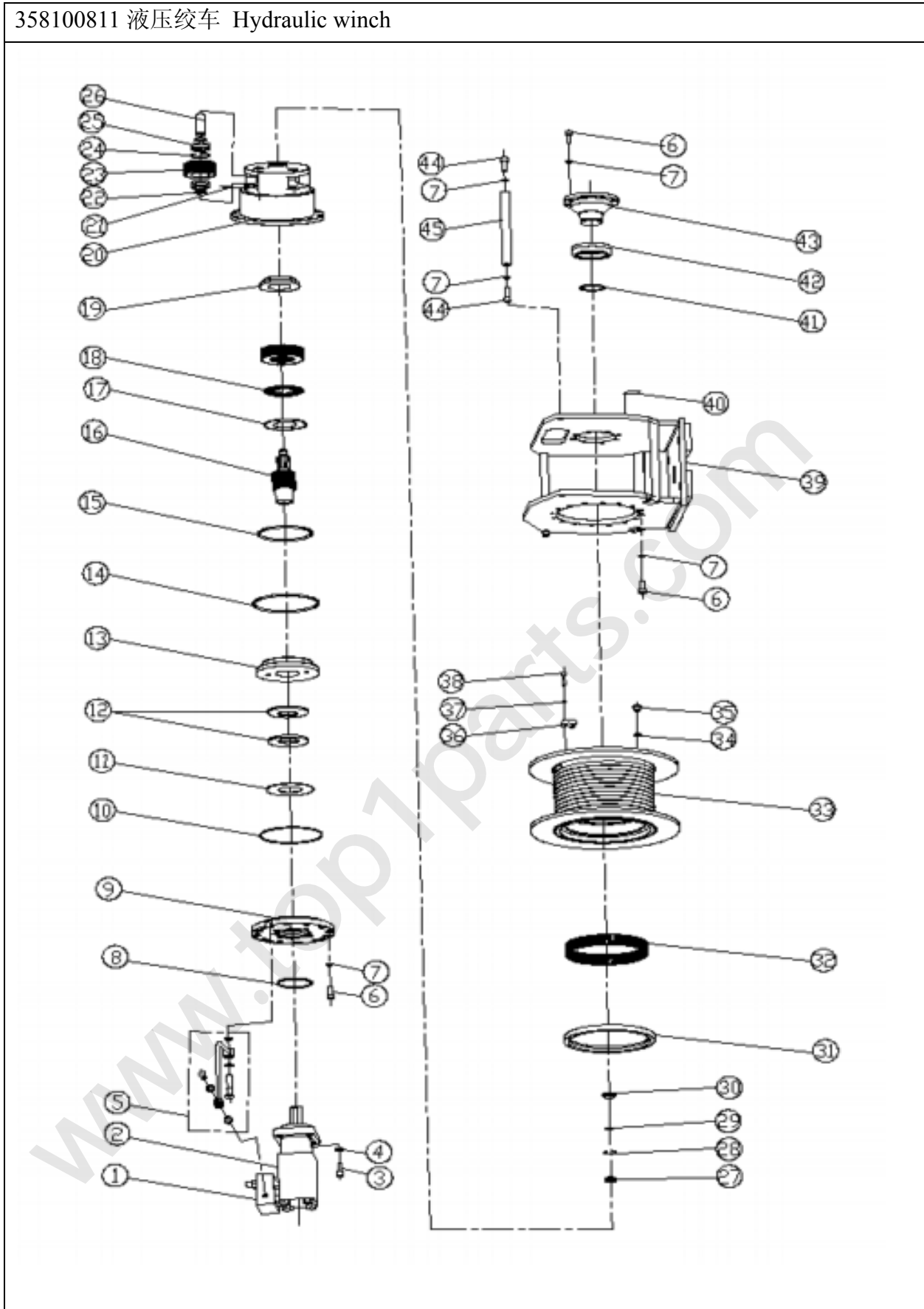


350400467 变幅油缸 Derricking cylinder

序号 No.	物料代码 Part number	名称 Part Name	推荐数量 Advised Q'ty	备注 Remark
1	--	无油轴套Φ90XΦ95-100 Shaft bush	4	
2	--	缸筒 Canister	1	
3	--	轴用支撑环d160X14.7-2.5 Support ring	2	
4	--	阶梯封d160X175.5-6.3 Ladder seal	1	
5	--	轴用密封圈d160X185-17 Seal ring	1	
6	--	防尘圈d160X175-5/11 Dustproof ring	1	
7	--	O型圈220X5.7 O-ring	2	
8	--	导向套 Pilot bush	1	
9	--	螺钉M10X12 Screw	1	
10	--	活塞 Piston	1	
11	--	组合封D220X195-50.8 Assembled seal	1	
12	--	挡圈D220X211-2 Check ring	2	
13	--	O型圈130X5.7 O-ring	1	
14	--	螺钉M8X10 Screw	1	
15	--	活塞杆 Piston rod	1	



358100811 液压绞车 Hydraulic winch



358100811 液压绞车 Hydraulic winch

序号 No.	物料代码 Part number	名称 Part Name	推荐数量 Advised Q'ty	备注 Remark
1	803007863	平衡阀 Balance valve	1	CBPA-B-OMS-C1
2	803007697	马达 Motor	1	BMS-200PAY
3	805100039	螺钉 M12X30 Screw	4	GB/T70.1
4	805300018	垫圈 12 Gasket	4	GB/T93
5	358000171	油管 Oil tube	1	
6	805100036	螺钉 M10X25 Screw	12	GB/T70.1
7	805300014	垫圈 10 Gasket	20	GB/T93
8	803175865	O 形圈 82.5X3.55 O-ring	1	C92
9	358000422	端盖 Cover	1	
10	803174912	O 形圈 154X3 O-ring	1	EKM
11	358000097	调整垫 Adjustable cushion	1	
12	801702765	碟簧 100×51×6×8.2 Dish spring	2	GB/T1972
13	358000095	活塞 Piston	1	
14	803175192	O 形圈 160X5 O-ring	1	EKM
15	803174892	O 形圈 130X5 O-ring	1	EKM
16	358000129	太阳轮 Sun wheel	1	
17	358000410	摩擦静片 Static plate	9	
18	358000411	摩擦动片 Dynamic plate	8	
19	358000146	挡板 Baffle	1	
20	358000127	筒芯 Roller- shaft	1	
21	805005064	螺钉 M6X20 Screw	3	GB/T79
22	358000132	行星垫 Planet gasket	6	
23	358000102	行星轮 Planet wheel	3	
24	805400037	挡圈 47 Baffle	3	GB/T893.1
25	800513736	轴承 32005 Bearing	6	GB/T297
26	358000120	行星轴 Planet shaft	3	
27	800513904	轴承 NA4904 Bearing	1	GB/T5801
28	805403048	挡圈 37 Baffle	1	GB/T893.1
29	805400039	挡圈 20 Baffle	1	GB/T894.1
30	358000425	顶塞 Plug	1	
31	803175109	油封 200X230X15 Oil seal	1	SN70-TC
32	800513751	滚针 P4X29.8 Roll needle	160	GB/T309
33	358000441	筒体组件 Cylinder	1	
34	801903029	密封垫 16X20 Sealed cushion	3	JB/ZQ4454
35	803174310	螺塞 M16X1.5 Screw thread plug	3	JB/ZQ4444
36	358000243	压板 Press board	1	

SQ5SK3Q随车起重机备件图册

SQ5SK3Q Truck-mounted Crane SPARE PARTS CATALOGUE

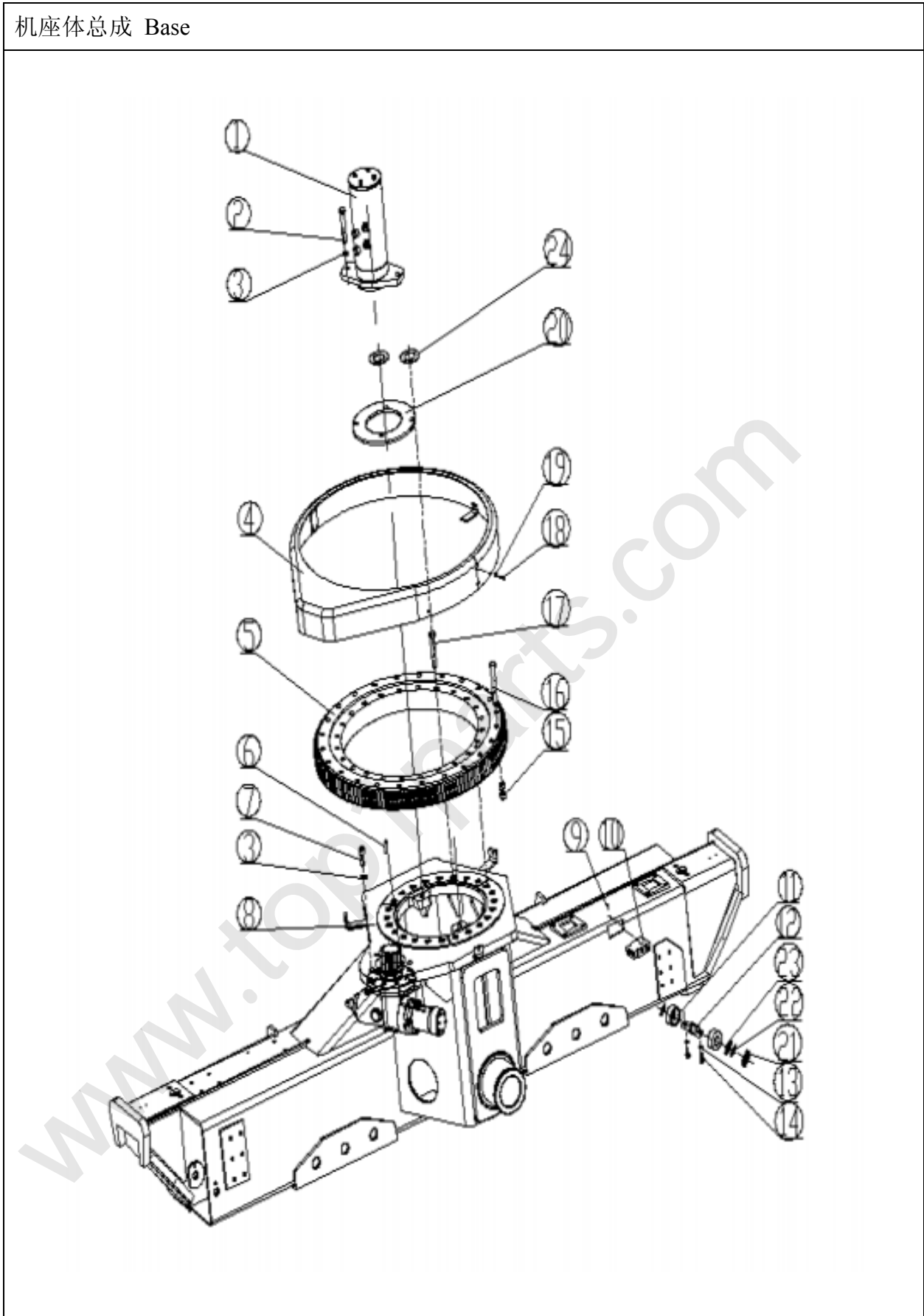


358000428 液压绞车 Hydraulic winch

序号 No.	物料代码 Part number	名称 Part Name	推荐数量 Advised Q'ty	备注 Remark
37	805300030	垫圈 6 Gasket	4	GB/T93
38	805100037	螺钉 M8X25 Screw	22	GB/T70.1
39	358000032	支架总成 Bracket	1	
40	358000245	起升减速机标牌 Label	1	
41	805400034	挡圈 55 Baffle	1	GB/T894.1
42	800513662	轴承 6211-Z Bearing	1	GB/T276
43	358000123	端盖 Cover	1	
44	805103872	螺钉 M10X30 Screw	4	GB/T70.1
45	358000435	连接轴 Couplet	2	



机座体总成 Base

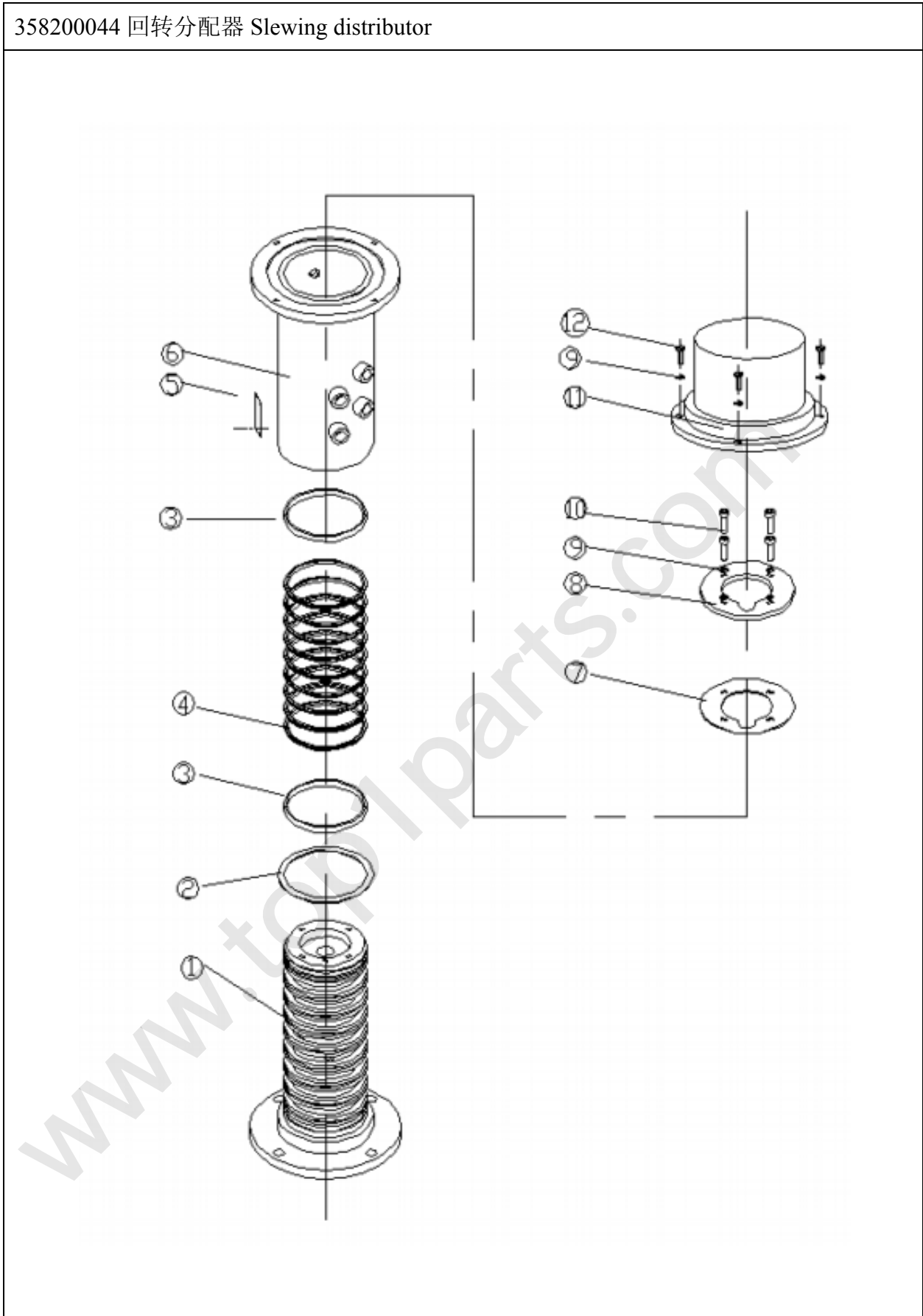


机座体总成 base

序号 No.	物料代码 Part Number	名称 Part Name	推荐数量 Advised Q'ty	备注 Remark
1	358200044	回转分配器 Slewing distributor	1	
2	805000164	螺栓M16×55 Bolt	2	GB/T5783-2000
3	805300011	垫圈16 Cushion ring	6	GB/T93-1987
4	350400389	防尘罩总成 Dustproof cover	1	
5	350400386	单排球式回转支撑 Slewing bearing	1	
6	805604143	销6×35 Pin	2	GB/T119-2000
7	805103611	螺钉M16×55 Screw	5	GB/T70.1-2000
8	350400183	基座体 Base	1	
9	805102983	螺钉M6×12 Screw	2	GB/T70.1-2000
10	350600298	接头块 Tie-in	2	
11	408101596	轴承套 I Bearing bush	4	
12	408101597	轴承座 Bearing shaft	2	
13	805300014	垫圈10 Cushion ring	6	GB/T93-1987
14	805000043	螺栓M10×30 Bolt	6	GB/T5783-2000
15	805103972	螺母M16 Nut	48	GB/T6170-2000
16	805000415	螺栓M20×80 Bolt	13	GB/T5782-2000
17	805001905	螺栓M20×100 Bolt	20	GB/T5782-2000
18	805101911	螺钉M6×20 Screw	11	GB/T819.1-2000
19	805200053	螺母M6 Nut	11	GB/T6170-2000
20	350500042	垫板 Padding board	1	
21	800500310	轴承NUP2205E Bearing	4	GB/T283-1994
22	805401263	轴用弹性挡圈20 Check ring for shaft	6	GB/T894.2-1986
23	805403384	孔用挡圈52 Check ring for hole	4	GB/T893.1-1986
24	841111003	垫片20 Cushion	2	



358200044 回转分配器 Slewing distributor

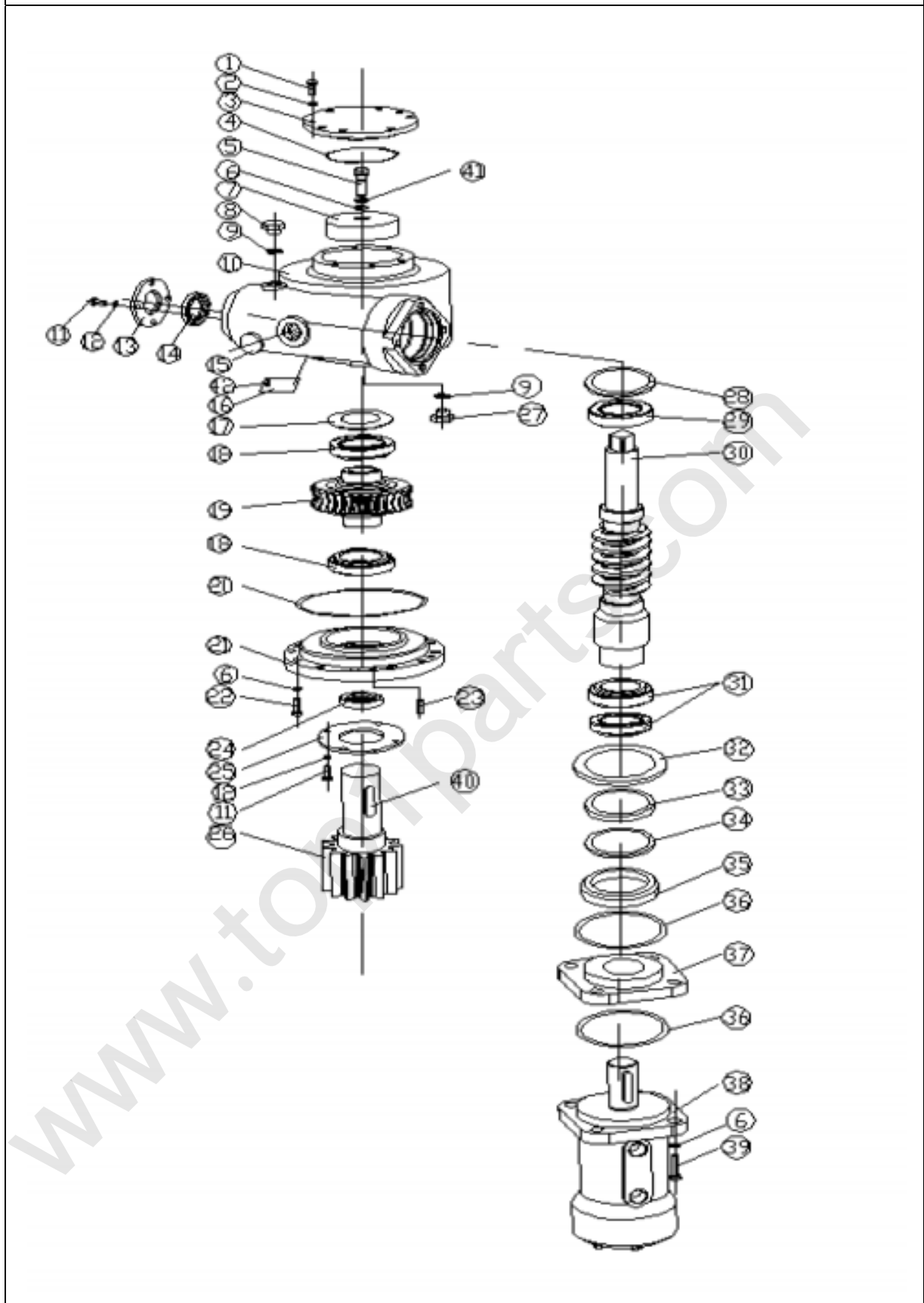


358200044 回转分配器 Slewing distributor

序号 No.	物料代码 Part Number	名称 Part Name	数量 Advised Q'ty	备注 Remark
1	358200012	芯 轴 Core shaft	1	
2	358200045	耐磨垫 I Wearable cushion	1	
3	803175084	导 向 环 Pilot ring 120/115X9.7	2	
4	803175148	旋 转 密 封 Rotary seal 120/109X4.2	9	
5	358200048	标牌 Nameplate	1	
6	358200011	分配体 Distributor	1	
7	358200046	耐磨垫 II Wearable cushion	1	
8	358200047	压板 Cover board	1	
9	805302783	弹簧垫圈 8 Spring cushion	8	GB/T93-1987
10	805100154	螺钉 M8X30 Screw	4	GB/T70.1-2000
11	803669131	3 路电刷 Brush	1	
12	805000017	螺栓 M8X25 Screw	4	GB/T5783-2000



358100168 回转减速机 Slewing reducer



358100168 回转减速机 Slewing reducer

序号 No.	物料代码 Part number	名称 Part Name	推荐数量 Advised Q' ty	备注 Remark
1	805100037	螺钉 M8X25 Screw	6	GB/T70.1-2000
2	805300010	弹簧垫圈 8 Gasket	6	GB/T93-1987
3	358100034	端盖 Cover	1	
4	803175201	O 型圈 105X3 O-ring	1	GB/T3452.1-1992
5	805100147	螺钉 M10X40 Screw	1	GB/T70.1-2000
6	805300014	弹簧垫圈 10 Gasket	16	GB/T93-1987
7	358100032	压盖 Board	1	
8	803174310	螺塞 M16X1.5 Thread plug	1	JB/ZQ4444-1997
9	805300026	组合密封 M16 Assembled seal	3	JB/T982-1977
10	358100162	减速机壳体 Reducer shell	1	
11	805100309	螺钉 M6X16 Screw	8	GB/T70.1-2000
12	805300030	弹簧垫圈 6 Gasket	8	GB/T93-1987
13	358100028	垫板 Padding board	1	
14	803174242	骨架油封 35X50X9 Oil seal	1	
15	801103171	油杯 A20 Oil cup	1	JB/T7941.2-95
16	358100135	回转减速机标牌 Scutcheon	1	
17	358100029	调整垫 Adjustable cushion	1	
18	800513735	圆锥滚子轴承 32014 Bearing	2	GB/T297-94
19	358100164	蜗轮 Worm wheel	1	
20	803175854	O 型圈 170X3.55 O-ring	1	GB/T3452.1-1992
21	358100163	可通端盖 End cover	1	
22	805103949	螺钉 M10X18 Screw	12	GB/T70.1-2000
23	805603870	销 10X25 Pin	2	GB/T119.2-2000
24	803174258	骨架油封 55X70X8 Oil seal	1	SN70-TC
25	358100031	压板 Board	1	
26	358100025	齿轮轴 Gear column	1	
27	805801300	透气塞 M16X1.5 Air breathed plug	1	
28	805400046	挡圈 35 Baffle	1	GB/T894.1-1987
29	800500206	轴承 6007 Bearing	1	GB/T276-94
30	358100153	蜗杆 Worm	1	
31	800511514	圆锥滚子轴承 32009 Bearing	2	GB/T297-94
32	358100030	调整垫 Adjustable cushion	1	
33	358100033	垫片 Cushion	1	
34	805300169	止动垫圈 42 Stop cushion	1	GB/T812-1988
35	805200204	圆螺母 M42X1.5 Nut	1	GB/T858-1988

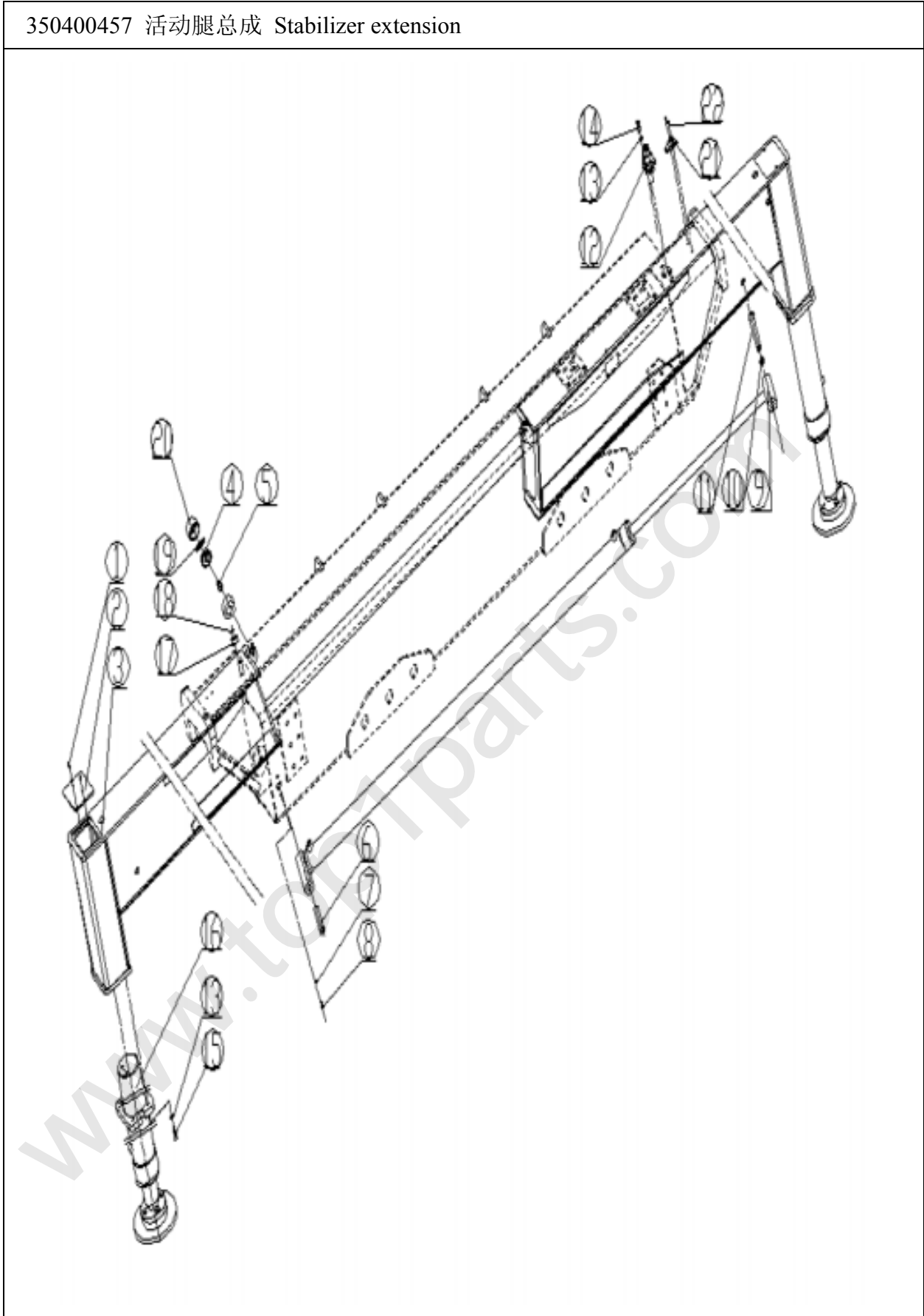


358100168 回转减速机 Slewing reducer

序号 No.	物料代码 Part Number	名称 Part Name	数量 Advised Q'ty	备注 Remark
36	803174216	O 型圈 80X2.0 O-ring	2	EKM
37	358100027	连接套 Transition	1	
38	803007705	马达 OMR80 Motor	1	
39	805100067	螺钉 M10X55 Screw	4	GB/T70.1-2000
40	805701065	键 14X70 Key	1	GB/T1096-79
41	805502345	铆钉 2.5X6 Rivet	4	GB/T87-1986
42	805302803	冻结制锁垫圈 M10 Gasket	1	



350400457 活动腿总成 Stabilizer extension

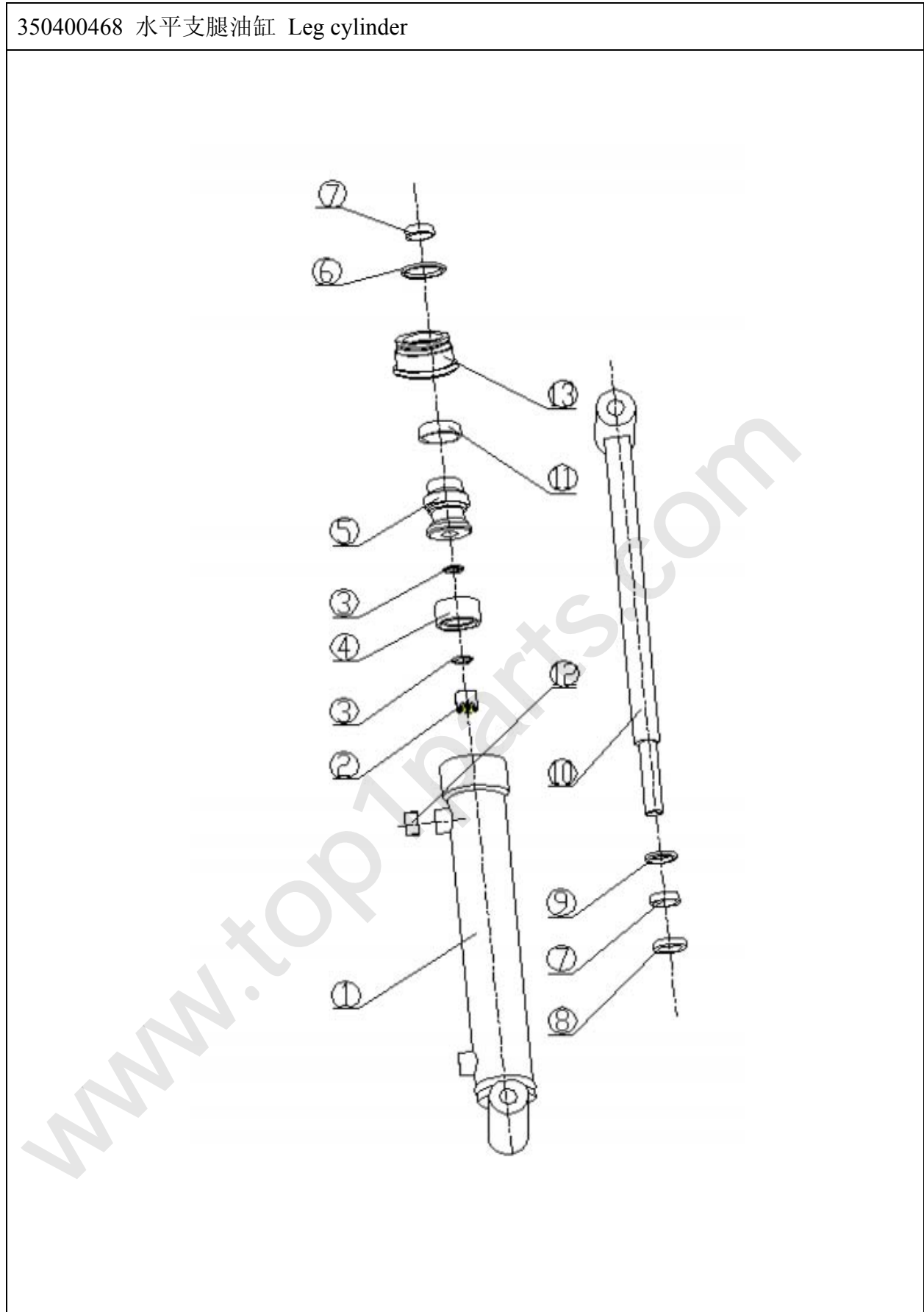


350400457 活动腿总成 Stabilizer extension

序号 No.	物料代码 Part Number	名称 Part Name	推荐数量 Advised Q'ty	备注 Remark
1	805103919	螺钉M5X10 Screw	1	GB/T819.2-1997
2	350500055	上封板 Up close board	4	
3	350500155	活动支腿 Active leg	6	
4	800513726	轴承NUP203 Bearing	3	
5	350500171	轴 Shsft	1	
6	350500174	销轴 Pin shaft	1	
7	805300010	垫圈8 Cushion ring	1	GB/T97.1-2002
8	805000018	螺栓M8X20 Bolt	3	GB/T5783-2000
9	350500009	销轴 Pin shaft	3	
10	805400039	轴用弹性挡圈20 Check ring for shaft	6	GB/T894.1-1986
11	350400468	水平支腿油缸 Horizontal leg cylinder	1	
12	359400179	锁紧总成 Lock	1	
13	805300014	垫圈10 Cushion ring	2	GB/T93-1987
11	805000043	螺栓M10X30 Bolt	1	GB/T5783-2000
15	805004827	螺钉M10X30 Screw	1	GB/T70.1-2000
16	350400191	垂直支腿油缸 Vertical leg cylinder	1	
17	350400001	尼龙套 Nylon bush	2	
18	805403640	轴用弹性挡圈10 Check ring for shaft	2	GB/T894.2-1986
19	805401266	孔用挡圈40 Check ring for hole	10	GB/T893.1-1986
20	408101596	轴承套II Bearing bush	2	
21	805004827	水平仪SS-50 Gradienter	2	
22	805000016	沉头螺钉M4X10 Screw	8	GB/T819.1-2000



350400468 水平支腿油缸 Leg cylinder

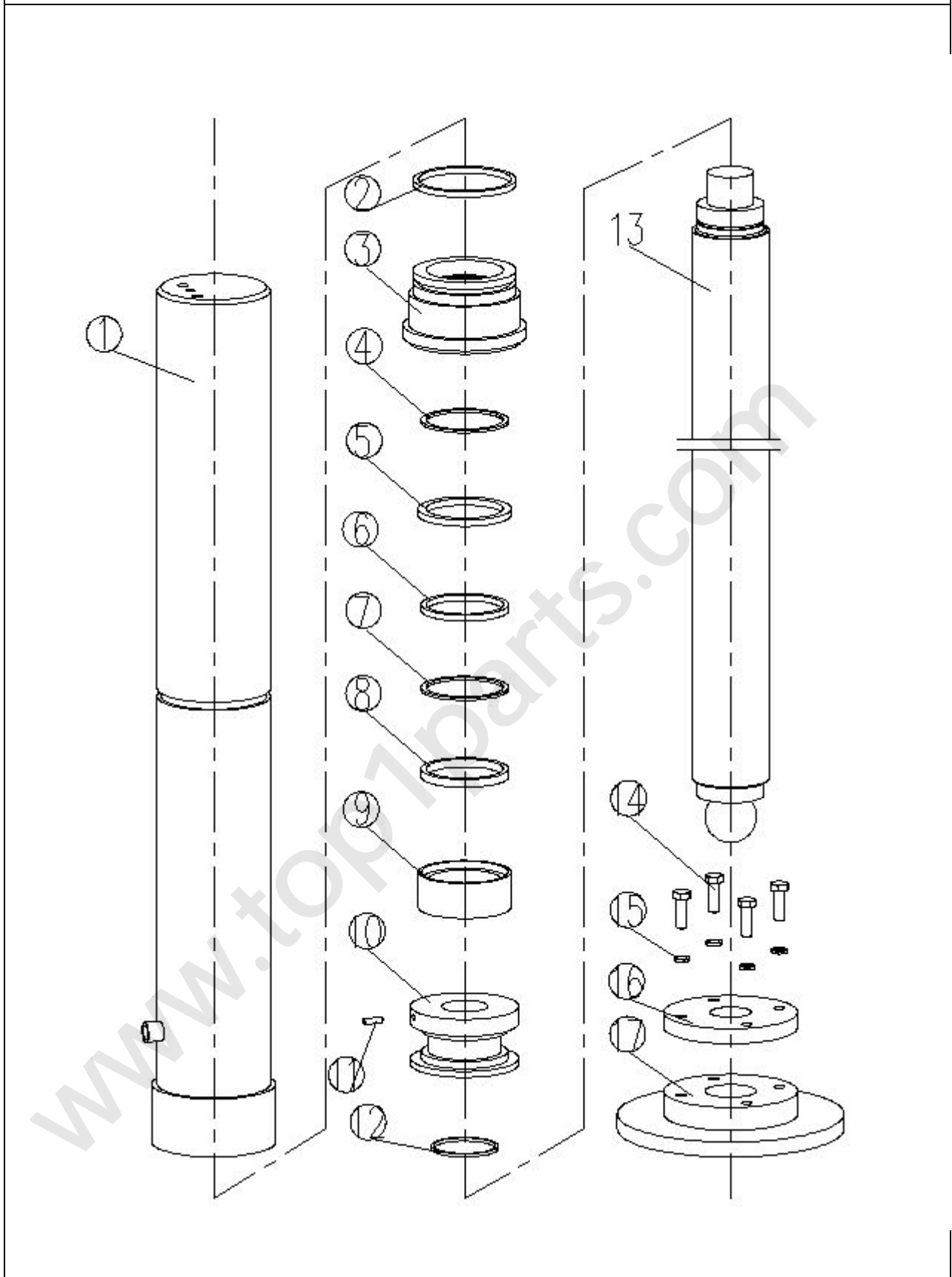


350400468 水平支腿油缸 Leg cylinder

序号 No.	物料代码 Part Number	名称 Part Name	推荐数量 Advised Q'ty	备注 Remark
1	--	缸体 Cylinder body	1	
2	--	尼龙螺母 M16-25 Nylon nut	4	
3	--	O 型圈 24×2.4 O-ring	6	
4	--	组合封 Assembled	3	
5	--	活塞 Piston	1	
6	--	O 型圈 50×3.5 O-ring	1	
7	--	轴用支承环 Support ring for shaft d28×9.4-2.5	1	
8	--	轴封 D2 28×38-7 Seal for shaft	3	
9	--	防尘圈 28×36-4.5/6.5 Dustproof ring	3	
10	--	活塞杆 Piston pole	6	
11	--	隔套 Separate bush	6	
12	--	油塞 Oil plug	1	
13	--	导向套 Pilot bush	2	



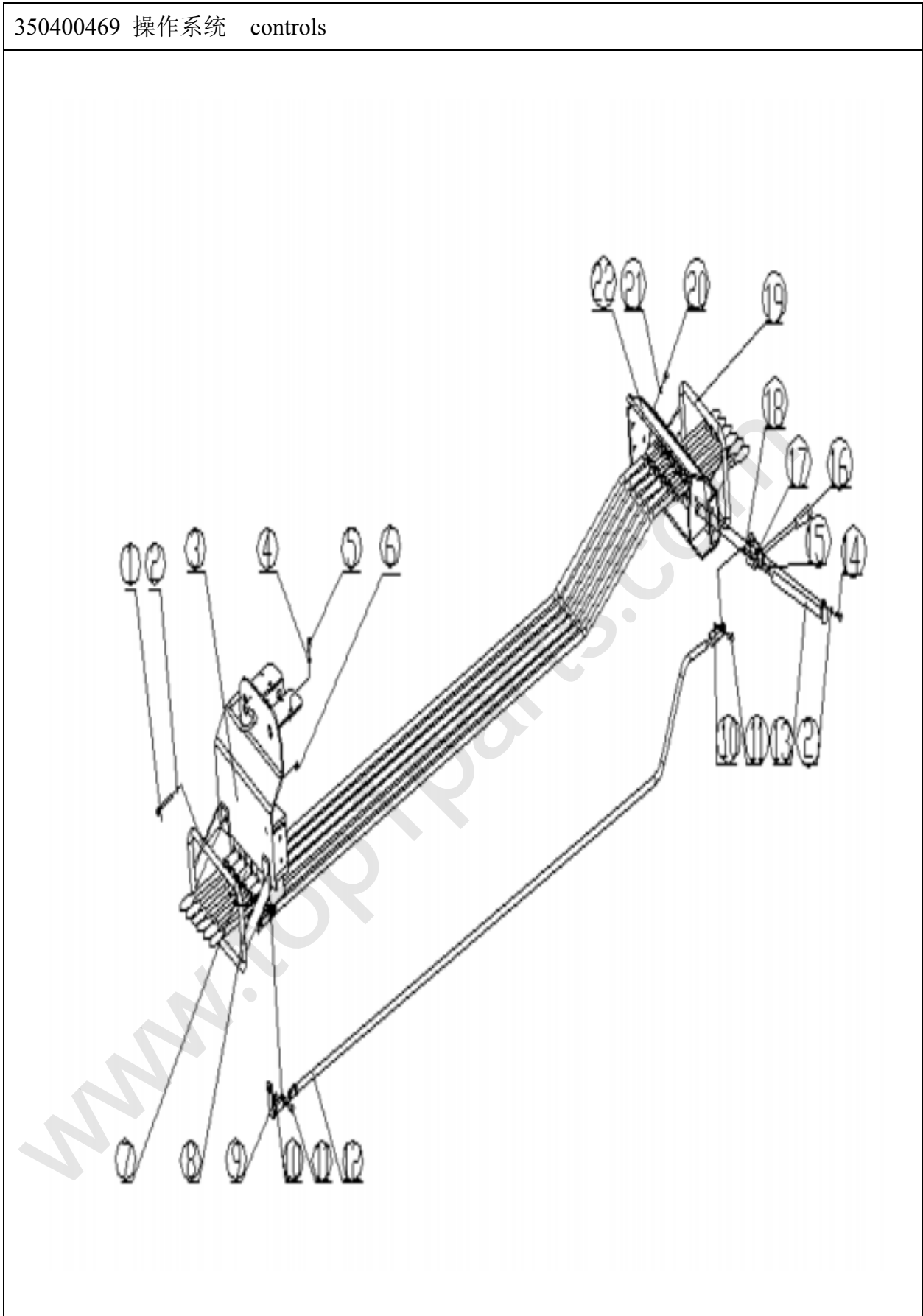
350400191 支腿油缸 Leg cylinder



350400191 支腿油缸 Leg cylinder

序号 No.	物料代码 Part number	名称 Part Name	推荐数量 Advised Q'ty	备注 Remark
1	--	缸体 Cylinder body	1	
2	--	O型圈85.32X3.53 O-ring	1	
3	--	导向套 Pilot bush	1	
4	--	O型圈78.97X53 O-ring	1	
5	--	斯特封D63X78.5-6.3 Seal	2	
6	--	轴用密封圈 Sealed ring for D63×73-6 shaft	1	
7	--	组合封D80X60-35.1 Assembled seal	1	
8	--	防尘圈 Dustproof ring D63X71-5/6.5	1	
9	--	衬套 Cushion	1	
10	--	活塞 Piston	1	
11	--	紧定螺钉M6X20 Tightness screw	1	
12	--	O型圈50X3.1 O-ring	1	
13	--	活塞杆 Piston pole	1	
14	-	内六角螺钉M10X25 Screw	4	
15	--	弹垫10 Spring	4	
16	--	球头座盖板 Cover board	1	
17	--	球头座 Ball-pedestal	1	



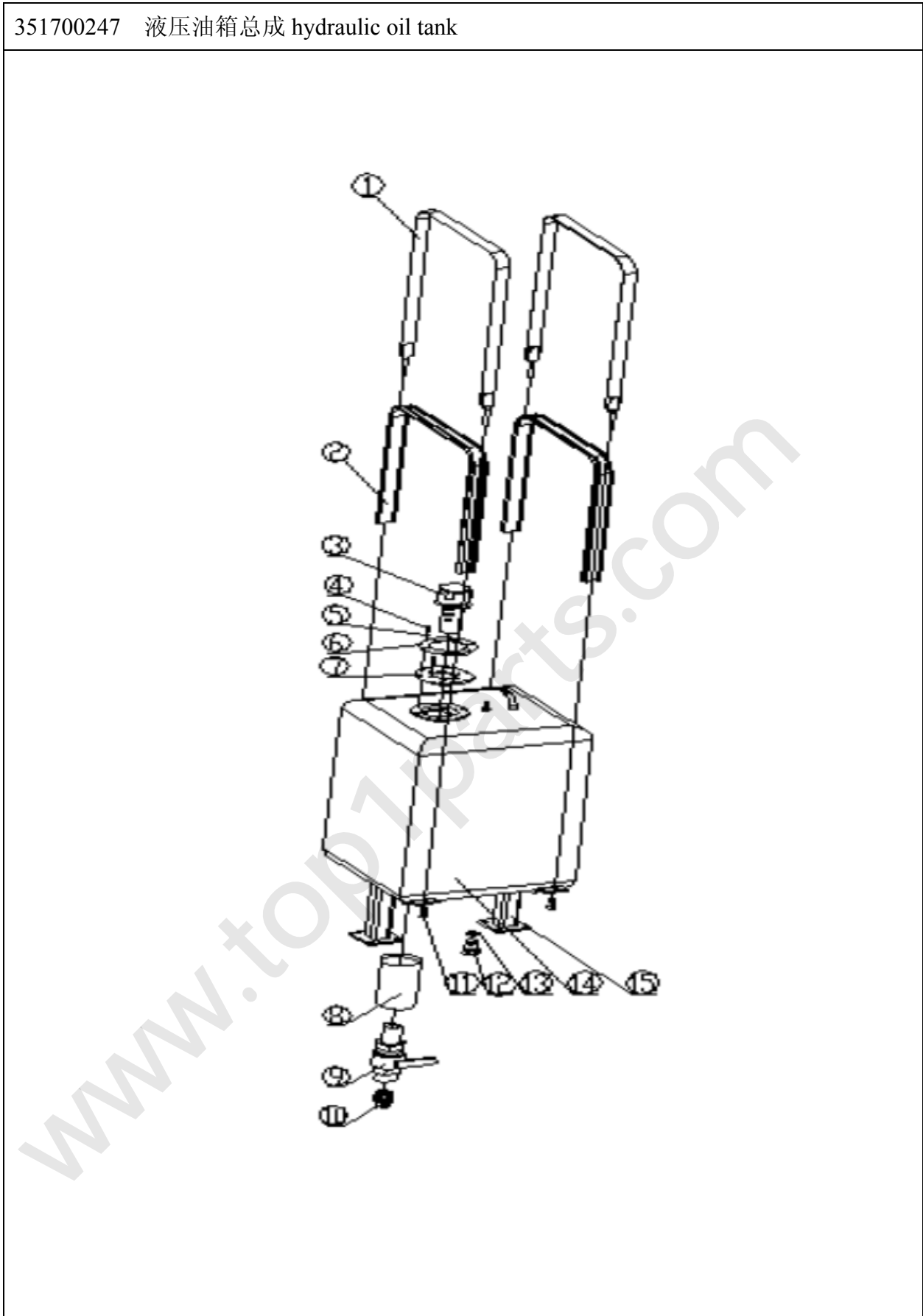


350400469 操作系统 controls

序号 No.	物料代码 Part Number	名称 Part Name	数量 Advised Q'ty	备注 Remark
1	805100081	螺钉M6×65 Screw	8	GB/T70.1-2000
2	805300030	弹垫6 Spring cushion	2	GB/T93-1987
3	350400470	阀架 Valve bracket	2	
4	805300010	弹垫8 Spring cushion	2	GB/T93-1987
5	805103589	螺钉M8×50 Screw	2	GB/T70.1-2000
6	805200046	螺母M5 Nut	2	GB/T6170-2000
7	803007877	多路换向阀 Multi-channel valve	4	
8	351700377	左护栏 Left rail	4	
9	359400118	拨叉 Fork	2	
10	805338213	轴用弹性挡圈8 Check ring for shaft	2	
11	359400133	销轴 Pin shaft	2	
12	351700203	连杆 Linker	2	
13	350400472	连接轴 Connected shaft	12	
14	805000322	螺栓M6×16 Bolt	8	GB/T5783-2000
15	805138276	螺钉M5×20 Screw	8	GB/T70.1-2000
16	359400120	操纵手柄 Operation handler	2	
17	359400100	拨叉 Fork	2	
18	805200046	螺母M5 Nut	2	GB/T6170-2000
19	351700201	右护栏 Right rail	2	
20	805139746	螺钉M8×50 Screw	2	GB/T70.1-2000
21	805300030	弹垫6 Spring cushion	2	GB/T93-1987
22	350400473	操纵架 Controls bracket	4	



351700247 液压油箱总成 hydraulic oil tank

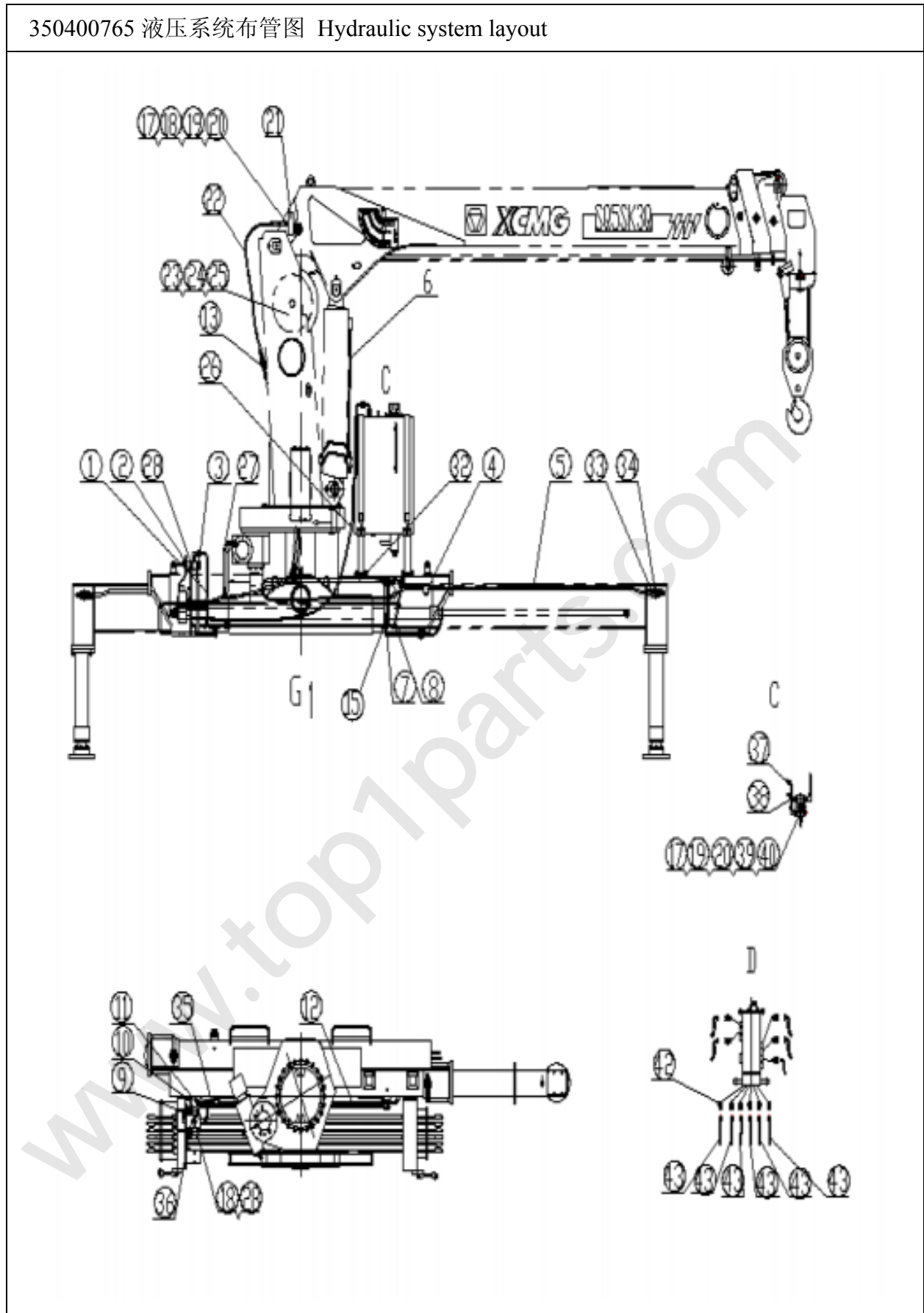


351700247 液压油箱总成 hydraulic oil tank

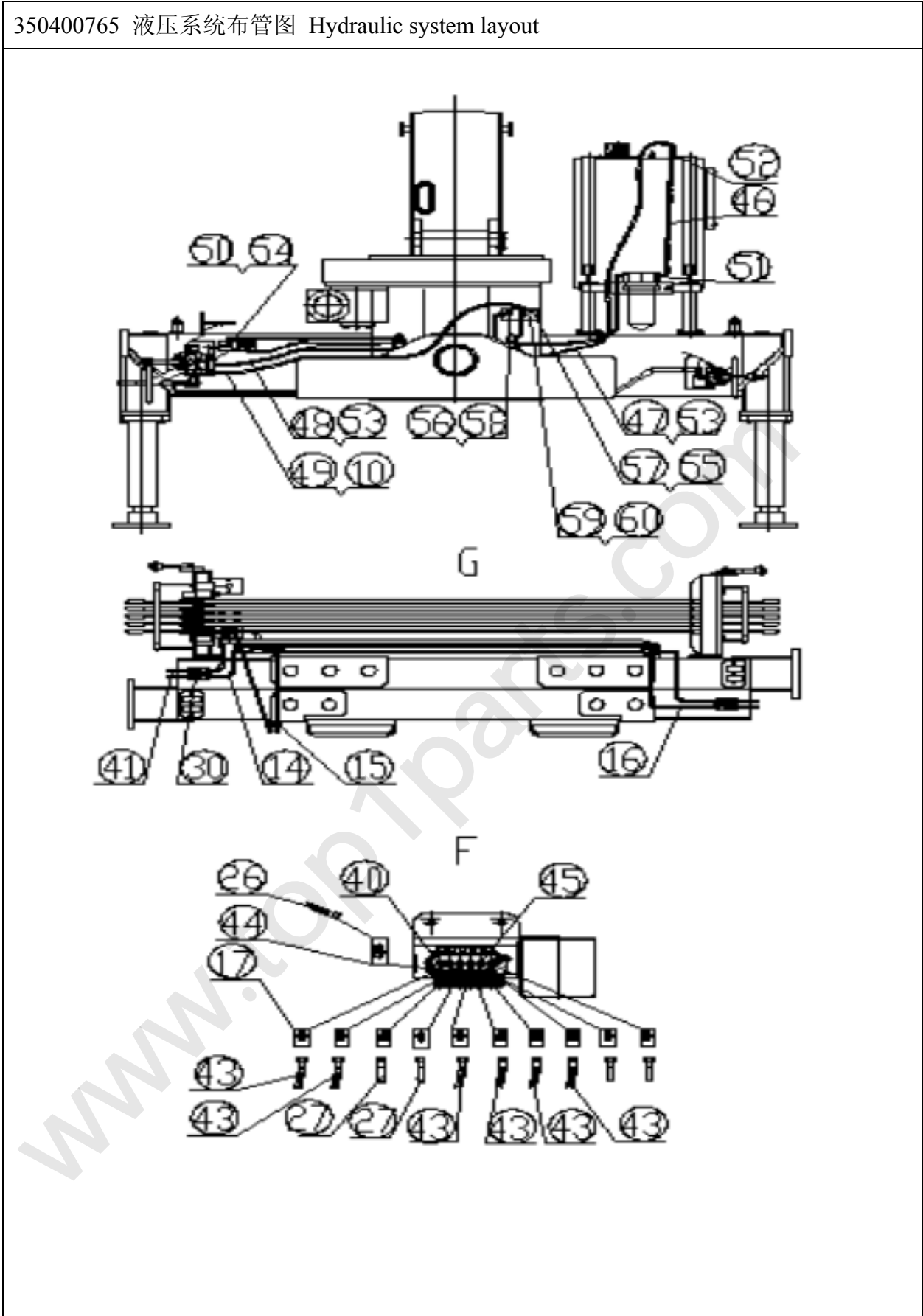
序号 No.	物料代码 Part Number	名称 Part Name	数量 Advised Q'ty	备注 Remark
1	353600379	紧固带 Tightness belt	2	
2	353600476	缓冲垫 Buffer cushion	2	
3	803174203	空气滤清器 Air filter	1	
4	805005582	螺栓 M4X15 Bolt	12	GB/T5783-2000
5	805300027	垫圈 4 Cushion ring	12	GB/T93-1987
6	350400381	垫圈 Cushion ring	1	GB/T93-1987
7	350400380	盖板 Cover board	1	
8	803174320	滤油器 Oil filter	1	
9	803008305	铜手柄球阀 Ball-valve	1	
10	359400055	接头体 Tie-in	1	
11	805200048	螺母 Nut	8	
12	805005596	螺塞 M27X2 Screw thread plug	1	
13	805300038	垫圈 27 Cushion ring	1	GB/T93-1987
14	351700360	油箱体 Oil tank	1	
15	351600219	油箱支架 Tank bracket	2	



350400765 液压系统布管图 Hydraulic system layout



350400765 液压系统布管图 Hydraulic system layout



350400765 液压系统布管图 Hydraulic system layout

序号 No.	物料代码 Part Number	名称 Part Name	推荐数量 Advised Q'ty	备注 Remark
1	350400210	弯管 Bend tube	1	
2	350400211	弯管 Bend tube	1	
3	350400212	弯管 Bend tube	1	
4	359400105	管夹 Bend clip	4	
5	350400213	弯管 Bend tube	4	
6	350400214	弯管 Bend tube	1	
7	350400215	弯管 Bend tube	1	
8	350400216	弯管 Bend tube	1	
9	350400217	弯管 Bend tube	1	
10	350400218	弯管 Bend tube	1	
11	350400219	弯管 Bend tube	1	
12	350400220	弯管 Bend tube	1	
13	359400107	管夹 Bend clip	1	
14	350400221	弯管 Bend tube	1	
15	350400286	弯管 Bend tube	1	
16	350400222	弯管 Bend tube	1	
17	803190754	直通接头I12LG3/8ED Straight joint	15	
18	803103585	直角组合接头LH12L L-joint	14	
19	805000237	螺栓M8×45 Bolt	4	GB/T5783-2000
20	805300010	弹簧垫圈8 Spring cushion	4	GB/T93-1987
21	803130189	单向平衡阀SPHBB50 Balance valve	1	
22	803175217	胶管总成 N381HAHF121205-1800 Tube	2	
23	803176880	胶管总成 N381HAHF121205-1100 Tube	8	



350400765 液压系统布管图 Hydraulic system layout

序号 No.	物料代码 Part Number	名称 Part Name	推荐数量 Advised Q'ty	备注 Remark
24	803175218	胶管总成 Tube N481HAHA101005-2100	2	
25	239900353	胶管总成 Tube N481HAHF101005-1100	2	
26	350400210	胶管总成 Tube N481HAHF151510-2400	2	
27	350400211	胶管总成 Tube N381HAHA121205-550	2	
28	350400212	直通接头I12LM14×1.5ED Straight joint	2	
29	359400105	直通接头I12LM16×1.5ED Straight joint	4	
30	350400213	直通接头I12L Straight joint	4	
31	350400214	三通接头Y12L T-joint	2	
32	350400215	胶管总成 Tube N381HAHA101005-1800STH	2	
33	350400216	直接接头I10LM14×1.5ED Straight joint	2	
34	350400217	双向液压锁2S0Y-H6L Dual-hydraulic lock	2	
35	350400218	直通组合接头ZH12L Joint	12	
36	350400219	选择阀45XF-L6-00 Selector valve	8	
37	350400220	胶管总成 Tube N381HAHF121205-700	8	
38	359400107	胶管总成 Tube N381HAHF121205-600	2	
39	350400221	单相平衡阀SPHBA50 Balance valve	2	
40	350400286	端螺纹塞堵VS-R3/8-WD Plug	2	
41	803175583	胶管总成 Tube N381HAHA121205-400	4	
42	803174416	直通接头I12LM18×1.5ED Straight joint	6	



350400765 液压系统布管图 Hydraulic system layout

序号 No.	物料代码 Part Number	名称 Part Name	推荐数量 Advised Q'ty	备注 Remark
43	803180257	胶管总成 Tube N381HAHA121205-1200	6	
44	803167930	直通接头I15LG1/2ED Straight joint	1	
45	803007877	多路阀 HC-D10/6 Muuli-channel valve	1	
46	803176897	胶管总成 Tube N481HFHF151510-700	1	
47	8031780856	胶管总成 Tube N481HFHF151510-800	1	
48	803175416	胶管总成 Tube N481HAHF151510-2300	1	
49	803175259	胶管总成 Tube N381HAHA222212-1350	1	
50	803174419	直通接头I15LM27X2ED Straight joint	2	
51	860100843	三通组合接头YL15L T-joint	1	
52	803300892	胶管总成 Tube N381HAHF121206-1330	2	
53	803167930	直通接头I15LG1/2ED Straight joint	2	
54	803164567	三通组合接头YL12L T-joint	2	
55	803174487	直通接头I22LG3/8ED Straight joint	2	
56	803190754	直通接头I12LG3/8ED Straight joint	2	
57	803165705	三通组合接头YL22L T-joint	1	
58	803103585	直角组合接头LH12L L-joint	2	
59	803008018	电磁阀SCO-40-XS Magnet valve	1	
60	805139949	螺栓M8×65 Bolt	2	GB/T5783-2000



www.top1parts.com