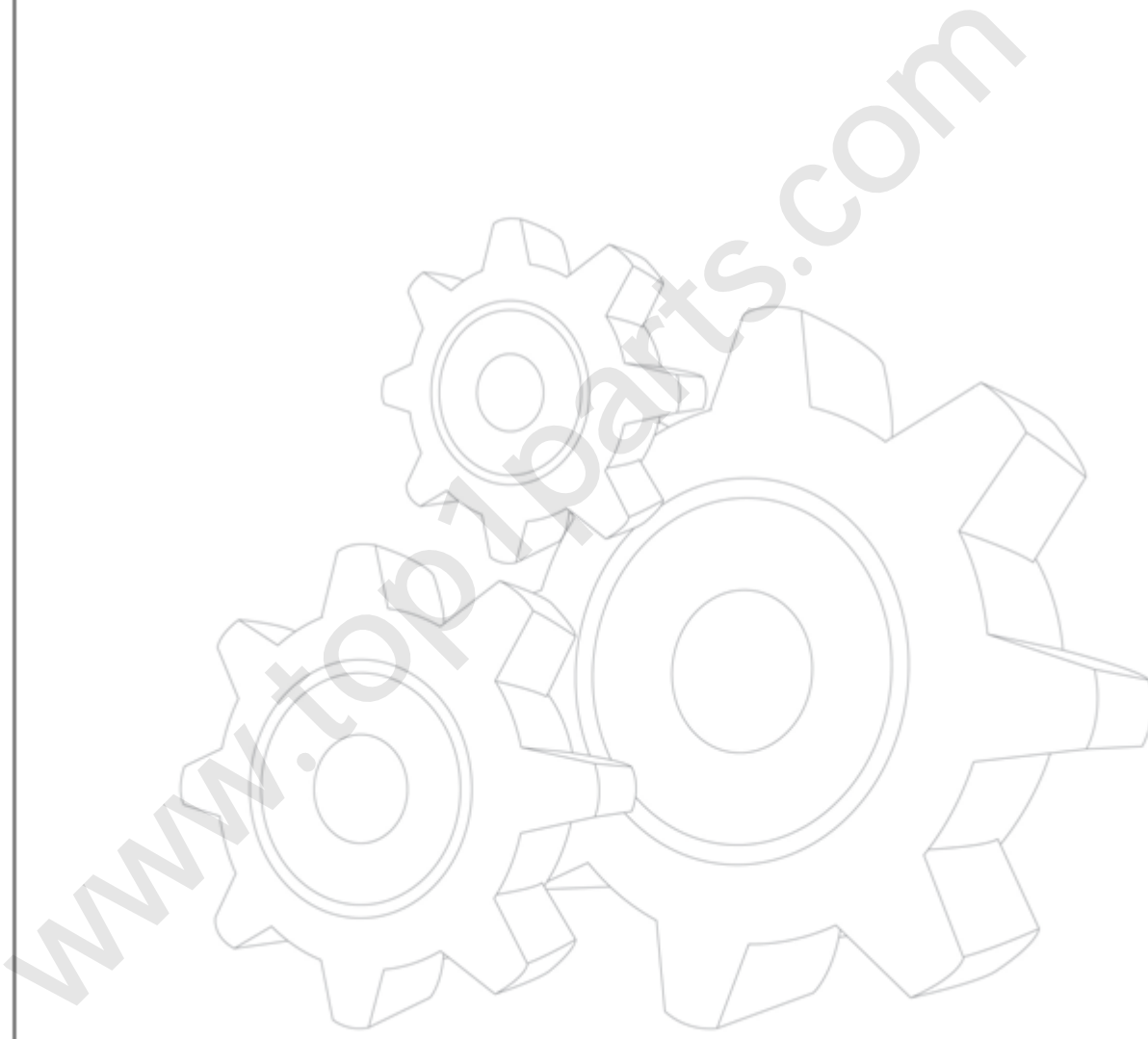




SQ4SK3Q 随车起重机备件图册

SQ4SK3Q Truck-mounted Crane SPARE PARTS CATALOGUE





目次 Contents

前 言.....	II
Preface	III
350300390 SQ4SK3Q 随车起重机 SQ4SK3Q Loader crane.....	1
350300390 吊臂装配 Loader crane.....	3
350300506 基本臂 Basic boom assembly	5
350300533 一节臂 1st boom extension assembly	7
350300551 二节臂 2nd boom extension assembly.....	9
350300566 三节臂 3rd boom extension assembly	11
350300437 伸缩油缸 Extension cylinder.....	13
350300390 伸缩臂绳索装配 Boom extension rope assembly	15
350300342 回转机座总成 Slewing base.....	17
350200497 转台总成 Column.....	19
350300343 机座体总成 Base	21
350300339 变幅油缸 Derricking cylinder	23
358001709 液压绞车 Hydraulic winch	25
358200044 回转分配器 Slewing distributor	28
350300371 活动支腿总成 Stabilizer extension	30
350200511 支腿油缸 Leg cylinder.....	32
350300381 水平油缸总成 Horizontal cylinder.....	34
350300382 下车操纵系统 Controls	36
351600218 油箱总成 Oil tank.....	38
350300410 液压布管图 Hydraulic pipeline.....	40



前 言

衷心感谢您对徐工品牌的信赖和认可并使用徐工生产的 SQ4SK3Q 随车起重机。

本图册提供了“SQ4SK3Q 随车起重机”列为备件的结构及装配关系，旨在方便备件工程师和用户对起重机更好的维修和保养。本图册应配合产品使用说明书共同使用，请您严格按照备件图册进行操作、维护，使“SQ4SK3Q 随车起重机”处于最佳工作状态。

为方便用户备件检索，本图册已将“SQ4SK3Q 随车起重机”的大型结构件及整体采购件拆分至最小可维修单元，在分解图后附有明细表与所示零件一一对应。

本备件图册及其它随车技术文件是“SQ4SK3Q 随车起重机”的组成部分，请在产品寿命期内随车妥善保管，共同作为您使用该“SQ4SK3Q 随车起重机”的必须依据。

我公司保留随技术改进而不断修订《备件图册》内容的权利，如有变更，恕不另行通知，望各位用户予以理解。

2012 年十月第一版



Preface

Firstly, thank you for selecting Truck Crane designed and manufactured by XCMG.

The aim of supplying the catalogue is to facilitate maintenance and service to the SQ4SK3Q Truck-mounted Crane. It should be used together with the operation manual and maintenance manual. Please strictly follow the instructions in operation manual and maintenance manual for operation and maintenance.

There are details for assembly of parts in it, which large structural parts and integrated parts are disassembled into minor maintenance units. There is a list following each detail for user looking up spare parts. Please refer to carrier spare parts catalogue for contents involved with carrier spare parts.

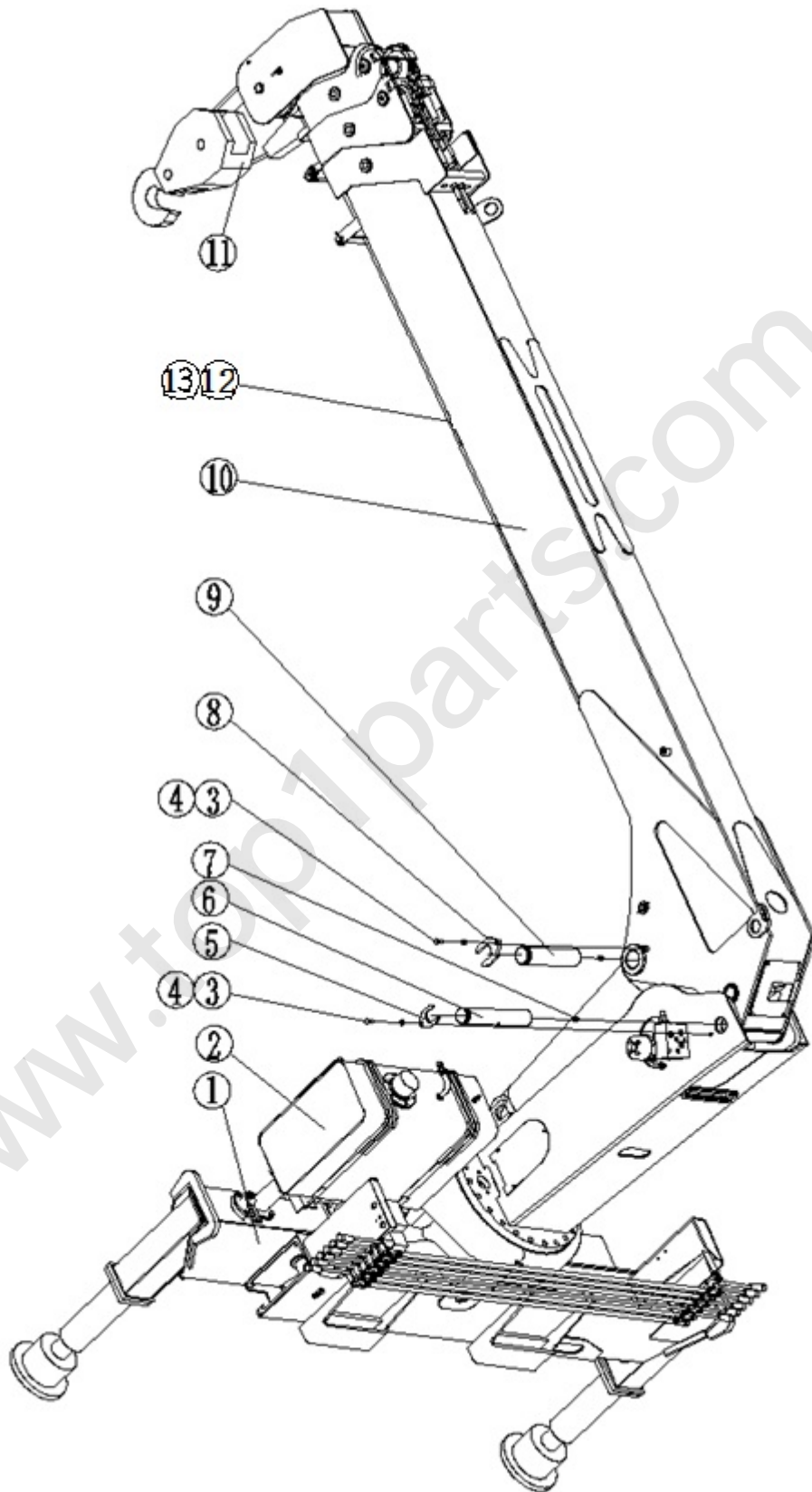
The manual is an integral part of the crane. Please keep them handy in the driver's or operator's cab with the supplied technical documents and operate the machine according to instruction in them.

We reserve the right to modify the catalogue for improvement without notice .

10/2012 First Edition



350300390 SQ4SK3Q 随车起重机 SQ4SK3Q Loader crane



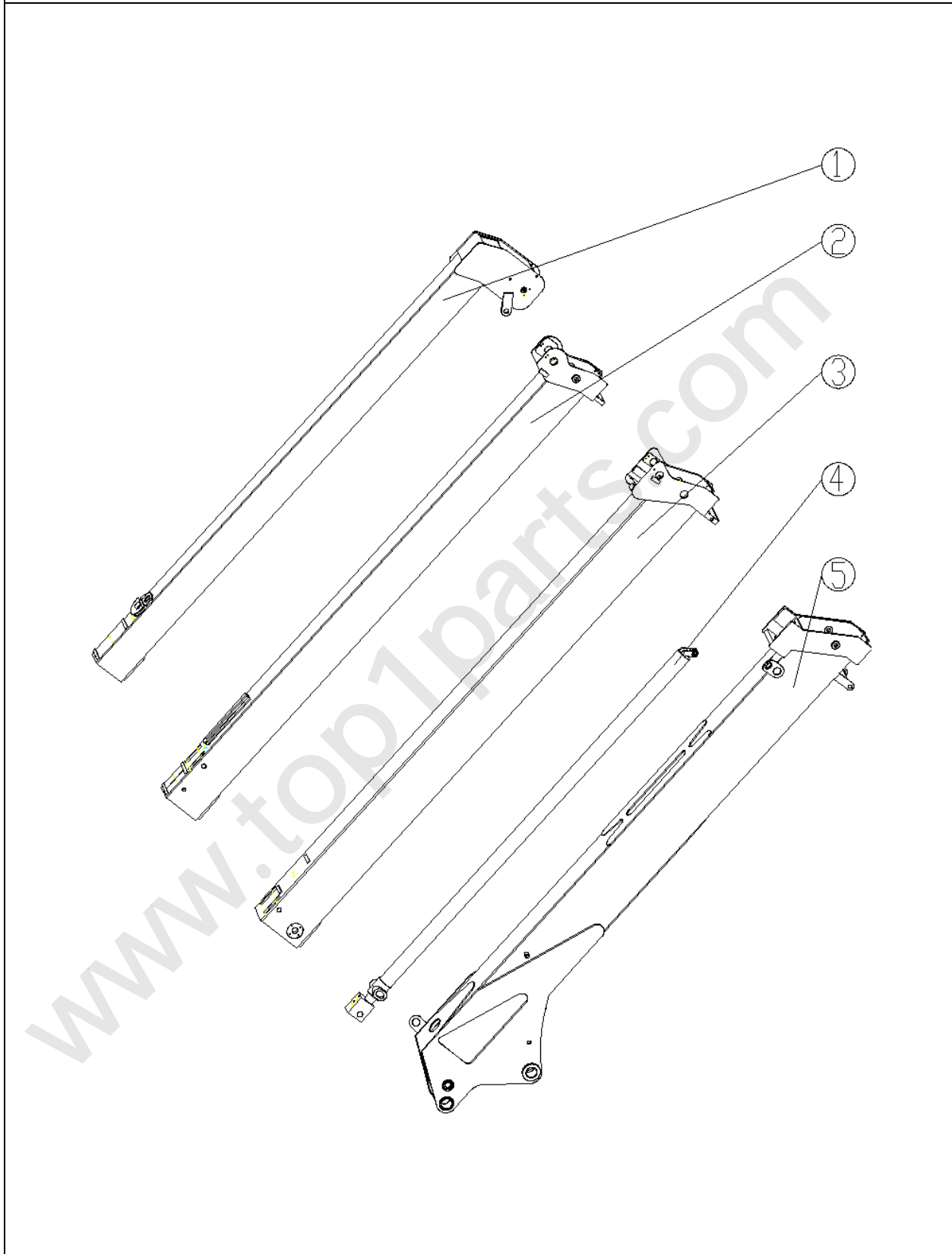


350300390 SQ4SK3Q随车起重机 SQ4SK3Q Loader crane

序号 No.	物料代码 Part number	名称 Part Name	推荐数量 Advised Q' ty	备注 Remark
1	350300342	回转机座总成 Slewing base	1	
2	351600225	液压油箱 Oil tank	1	
3	805000714	螺栓 M10×20 Bolt	2	GB/T5783-2000
4	805300014	垫圈10 Gasket	2	GB/T93-1987
5	359400020	卡板 Clip board	1	
6	350200004	轴 Shaft	1	
7	801100336	油杯 M10 Oil cup	2	JB/T7940.1-1995
8	359400021	卡板 Clip board	1	
9	350300338	销轴 Pin shaft	1	
10	350300340	吊臂总成 Boom	1	
11	358900004	吊钩 Hook	1	
12	821532948	钢丝绳 Steel cable	56m	9.3NAT-18X7+FC-1870-ZS
13	801301588	绳夹 10KT Cable clamp	1	GB/T5976-2006



350300390 吊臂装配 Loader crane



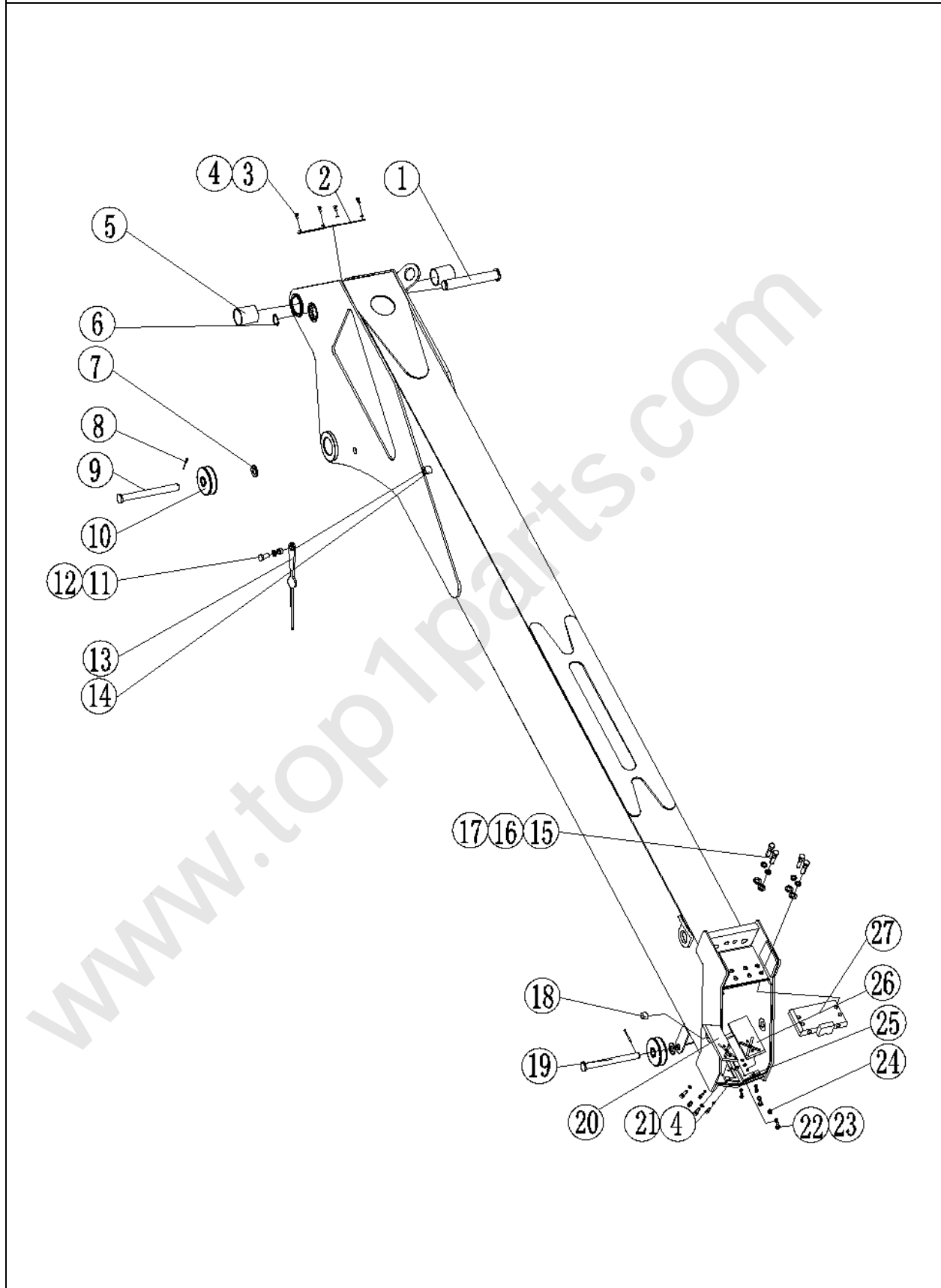


350300390 吊臂装配 Loader crane

序号 No.	物料代码 Part number	名称 Part Name	推荐数量 Advised Q' ty	备注 Remark
1	350300566	第三节伸缩臂装配 1st boom extension assembly	1	
2	350300551	第二节伸缩臂装配 2st boom extension assembly	1	
3	350300533	第一节伸缩臂装配 3st boom extension assembly	1	
4	350300437	伸缩油缸装配	1	
5	350300506	基本臂装配 Base boom	1	



350300506 基本臂 Basic boom assembly



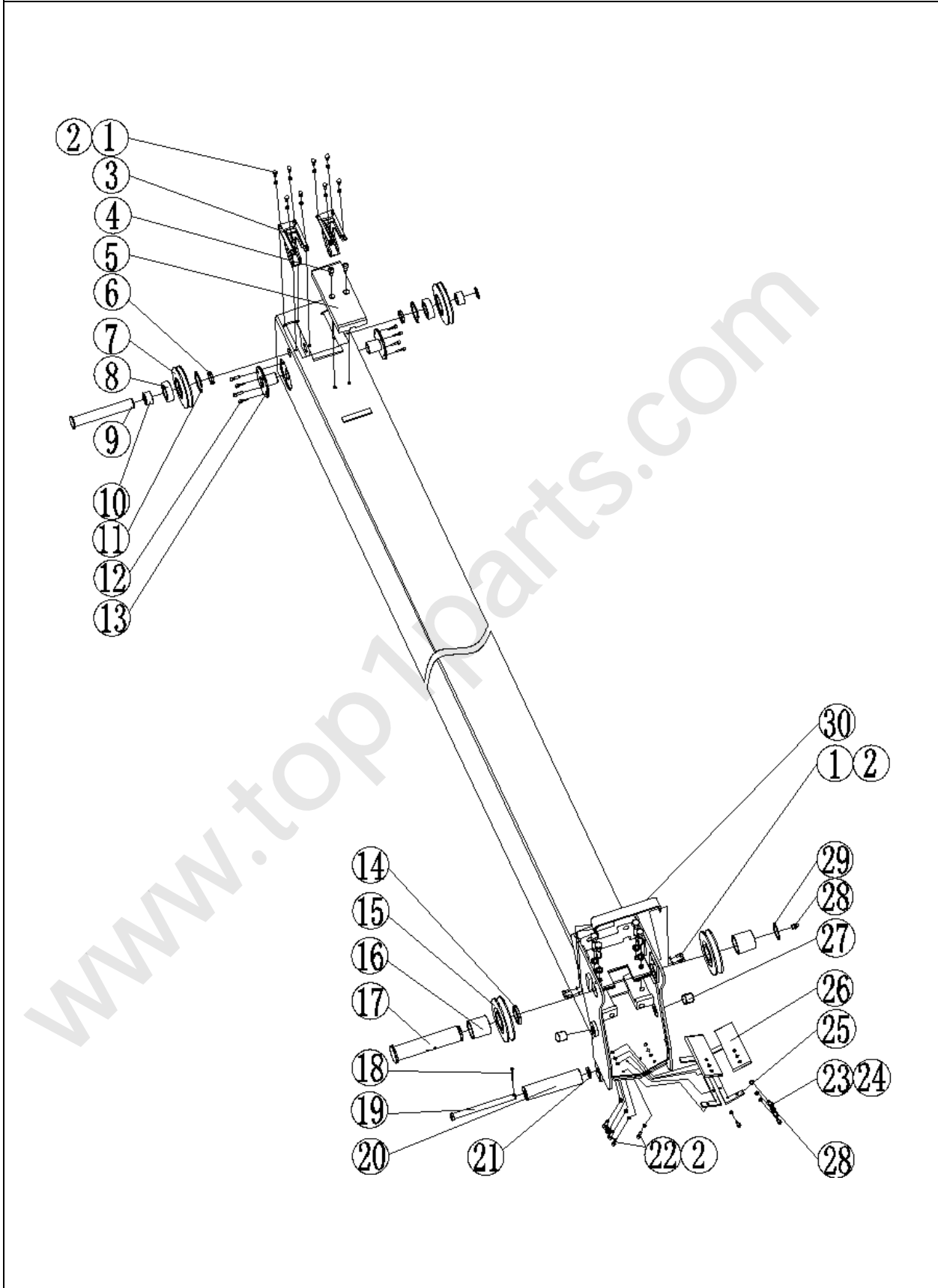


350300506 基本臂 Basic boom assembly

序号 No.	物料代码 Part number	名称 Part Name	推荐数量 Advised Q' ty	备注 Remark
1	350300450	销轴 Pin shaft	1	
2	350300447	后盖板 Rear close board	1	
3	805000008	螺栓 M6×12 Bolt	4	GB/T5783-2000
4	805300030	垫圈 6 Gasket	8	GB/T93-1987
5	910802974	无油润滑套 Φ55× Φ50×60 Bush	2	SF-1
6	805402794	轴用弹性挡圈 30 Check ring	1	GB/T894.-2-1986
7	805334177	销轴用平垫圈 20 Flat cushion	2	GB/T97.3-2000
8	805603385	开口销 4×40 End-opened pin	2	GB/T91-2000
9	050300459	销轴 Pin shaft	1	
10	359400111	导向轮 Guided wheel	1	
11	805000714	螺栓 M10×20 Bolt	2	GB/T5783-2000
12	805300014	垫圈 10 Gasket	2	GB/T93-1987
13	350400365	套 Bush	2	
14	350400364	指针 Needle	2	
15	805005513	螺栓 M12×35 Bolt	4	GB/T1228-1991
16	805300018	垫圈 12 Gasket	4	GB/T93-1987
17	805300020	垫圈 12 Gasket	4	GB/T97.1-2002
18	359400166	支撑块 Support ring	2	
19	350300465	销轴 Pin shaft	1	
20	350300467	滑块 Slider pad	1	
21	805002055	螺栓 M6×15 Bolt	4	GB/T5783-2000
22	805000018	螺栓 M8×20 Bolt	4	GB/T5783-2000
23	805300010	垫圈 8 Gasket	4	GB/T93-1987
24	801100336	油杯 M10×1 Oil cup	2	JB/T7940.1-1995
25	350300469	挡板 Baffle	2	
26	350300468	滑块 Slider pad	1	
27	350300466	滑块 Slider pad	1	



350300533 一节臂 1st boom extension assembly



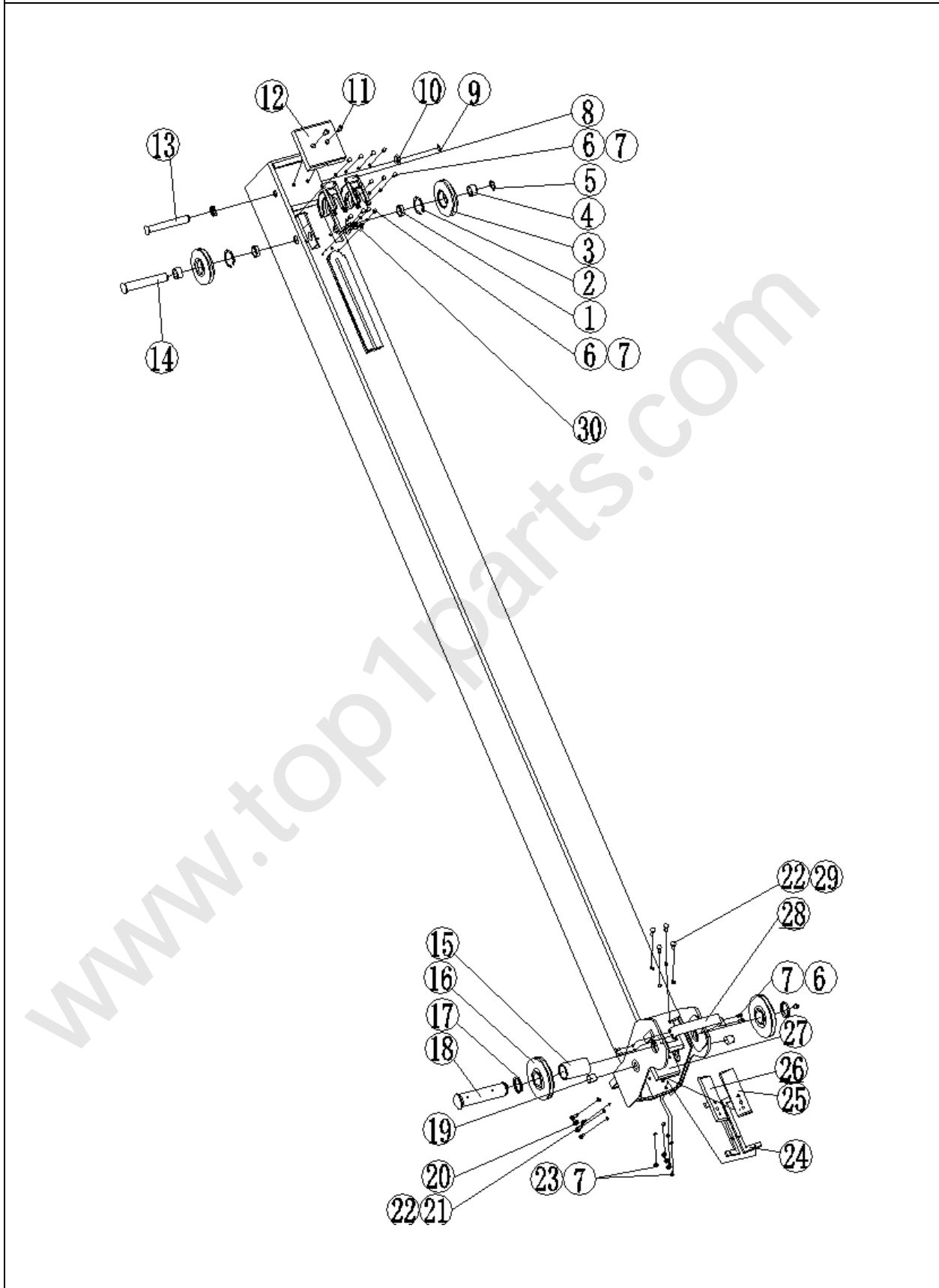


350300533 一节臂 1st boom extension assembly

序号 No.	物料代码 Part number	名称 Part Name	推荐数量 Advised Q' ty	备注 Remark
1	8050000008	螺栓 M6×12 Bolt	12	
2	805300030	垫圈 6 Gasket	16	GB/T93-1987
3	350300499	挡板 Block	2	
4	805103995	内六角螺钉 M8×15 Screw	2	GB/T70.1-2000
5	350300451	滑块 Slider pad	1	
6	350300453	隔套 I Separate bush I	2	
7	350300452	滑轮 Pulley	2	
8	800500310	轴承 Bearing	2	
9	350300455	销轴 Pin shaft	1	
10	350300454	隔套 II Separate bush II	2	
11	805400065	孔用挡圈 52 Check ring for hole	1	GB/T893.1-1986
12	805100484	内六角螺钉 M5×20 Screw	4	GB/T70.3-2000
13	350300456	销轴 Pin shaft	1	
14	350300476	轴套 Shaft bush	1	
15	350300470	滑轮 Pulley	2	
16	350300475	轴套 Shaft bush	2	
17	350300474	轴 Shaft	1	
18	805600016	开口销 4×40 Pin shaft	1	GB/T91-2000
19	350300479	销轴 Pin shaft	1	
20	350300480	滚轮 Idler wheel	1	
21	805300014	平垫圈 10 Bolt	1	GB/T95-2002
22	805002055	螺栓 M6×15 Bolt	4	GB/T5783-2000
23	805000018	螺栓 M8×20 Bolt	4	GB/T5783-2000
24	805300010	垫圈 8 Gasket	4	GB/T93-1987
25	350300469	挡板 Block	2	
26	350300478	滑块 Slider pad	2	
27	359400166	支撑块 Support ring	2	
28	801100336	油杯 M10×1 Oil cup	2	JB/T7940.1-1995
29	805401266	挡圈 40 Check ring	1	GB/T894.2-1986
30	350300473	挡板 Block	1	



350300551 二节臂 2nd boom extension assembly



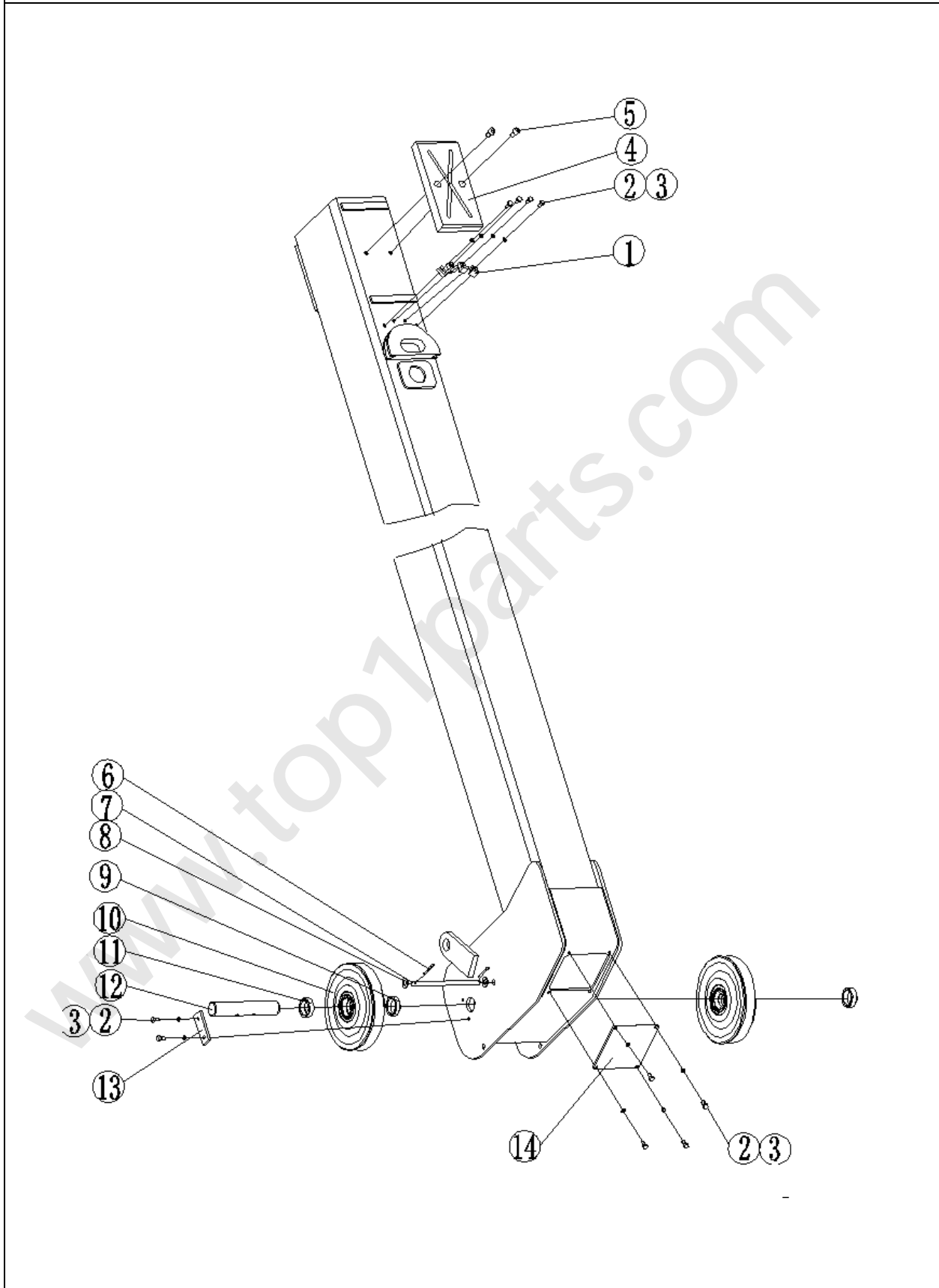


350300551 二节臂 2nd boom extension assembly

序号 No.	物料号 Part number	名称 Part Name	推荐数量 Advised Q' ty	备注 Remark
1	350300463	隔套IV Separate bush IV	2	
2	805400065	挡圈 52 Check ring	2	GB/T893.1-1986
3	350300452	滑轮 Pulley	2	
4	350300454	隔套II Separate bush II	2	
5	805401242	挡圈 25 Check ring	1	GB/T894.2-1986
6	805000008	螺栓 M6×12 Bolt	16	GB/T5783-2000
7	805300030	垫圈 6 Gasket	20	GB/T93-1987
8	350300499	挡板 Block	2	
9	805403067	挡圈 20 Check ring	1	GB/T894.2-1986
10	350300461	隔套III Separate bushIII	2	
11	805103995	内六角螺钉 M8×15 Screw	2	GB/T70.1-2000
12	350300460	滑块 Slider pad	1	
13	350300462	销轴 Pin shaft	1	
14	350300464	销轴 Pin shaft	1	
15	350300487	轴套 Shaft bush	1	
16	350300481	滚轮 Idler wheel	2	
17	350300486	轴套 Shaft bush	2	
18	350300485	轴 Shaft	1	
19	359400166	支撑块 Support ring	2	
20	801100336	油杯 M10×1 Oil cup	2	JB/T7940.1-1995
21	805000018	螺栓 M8×20 Bolt	4	GB/T5783-2000
22	805300010	垫圈 8 Gasket	12	GB/T93-1987
23	805002055	螺栓 M6×15 Bolt	4	GB/T5783-2000
24	350300469	挡板 Block	2	
25	350300490	滑块 Slider pad	1	
26	350300489	滑块 Slider pad	1	
27	350300488	滑块 Slider pad	1	
28	350300484	挡板 Block	1	
29	805100037	螺钉 M8×25 Screw	4	GB/T70.1-2008
30	350300448	挡块 Block	4	



350300566 三节臂 3rd boom extension assembly



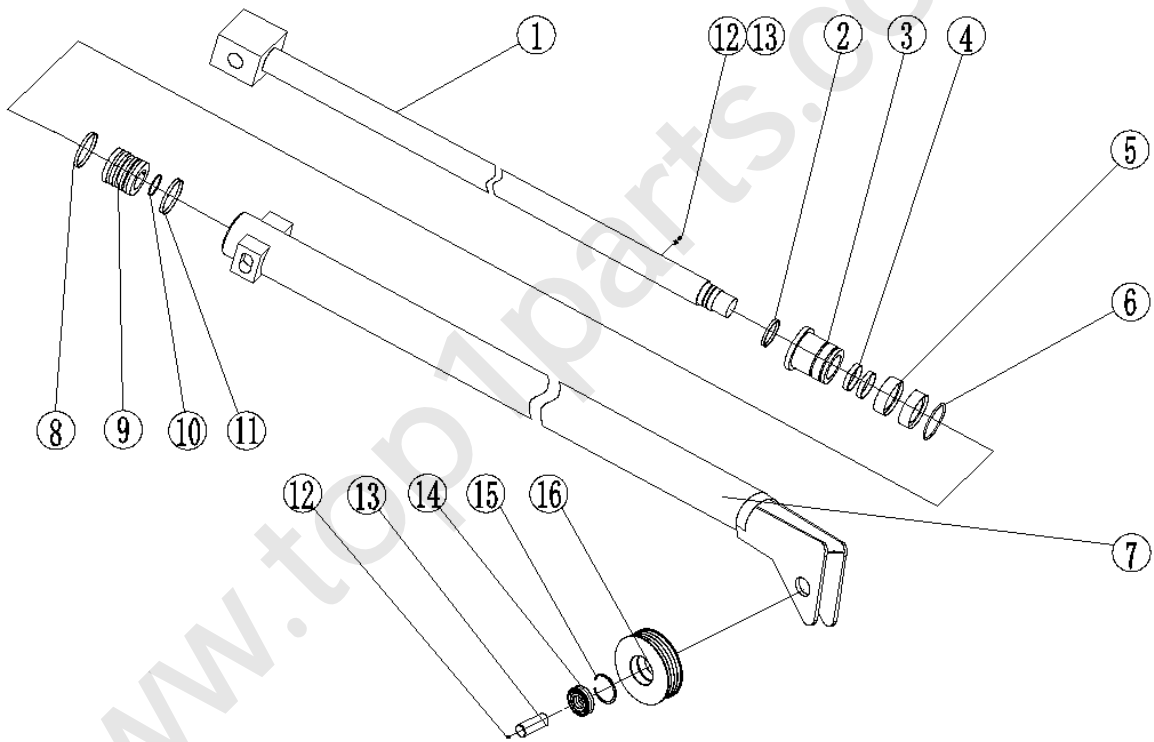


350300566 三节臂 3rd boom extension assembly

序号 No.	物料代号 Part number	名称 Part Name	数量 Advised Q'ty	备注 Remark
1	350300448	挡块 Baffle	4	
2	805000008	螺栓 M6×12 Bolt	10	GB/T5783-2000
3	805300030	垫圈 6 Cushion ring	10	GB/T93-1987
4	350300498	滑块 Slide pad	1	
5	805103995	螺钉 M8×15 Screw	2	GB/T70.1-2000
6	805600016	开口销 4×30 End-opened pin	2	GB/T91-2000
7	350300491	绳挡 Rope ward	1	
8	805302843	平垫圈 10 Flat cushion	2	GB/T95-2002
9	350300496	轴套 Shaft bush	1	
10	350300492	滚轮 Idler wheel	2	
11	350300494	轴套 Shaft bush	2	
12	350300495	销轴 Pin shaft	1	
13	350300497	挡板 Baffle	1	
14	350300449	前盖板 Front cover board	1	



350300437 伸缩油缸 Extension cylinder



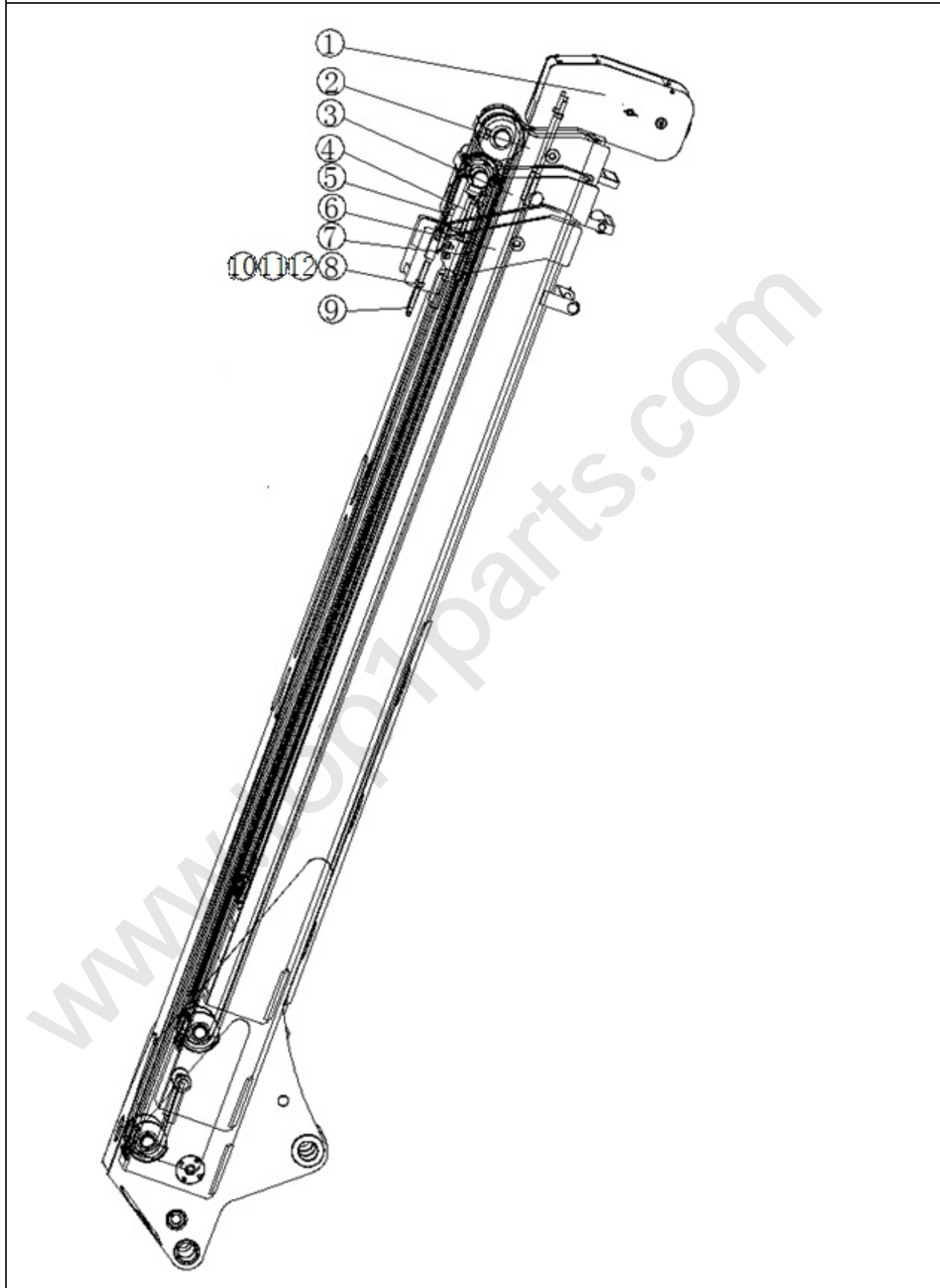


350300437 伸缩油缸 Extension cylinder

序号 No.	物料代码 Part number	名称 Part Name	数量 Advised Q' ty	备注 Remark
1	——	活塞杆 Piston pole	1	
2	——	防尘圈 Dustproof ring	1	
3	——	缸盖 Cylinder cover	1	
4	——	轴用支承环 Support ring	2	
5	——	轴封 Shaft seal	2	
6	——	O型圈 o-ring	1	
7	——	缸体 cylinder body	1	
8	——	隔套 separate bush	1	
9	——	活塞 piston	1	
10	——	O型圈 o-ring	1	
11	——	孔封 seal for hole	1组	
12	——	长圆柱端紧定螺钉 tightness screw	1	
13	——	螺母 nut	1	
14	——	油嘴 oil nipple	1	
15	——	销轴 pin shaft	1	
16	——	铜被轴承 bearing	1	
17	——	轴用弹挡 check ring	1	
18	——	滑轮 pulley	1	



350300390 伸缩臂绳索装配 Boom extension rope assembly



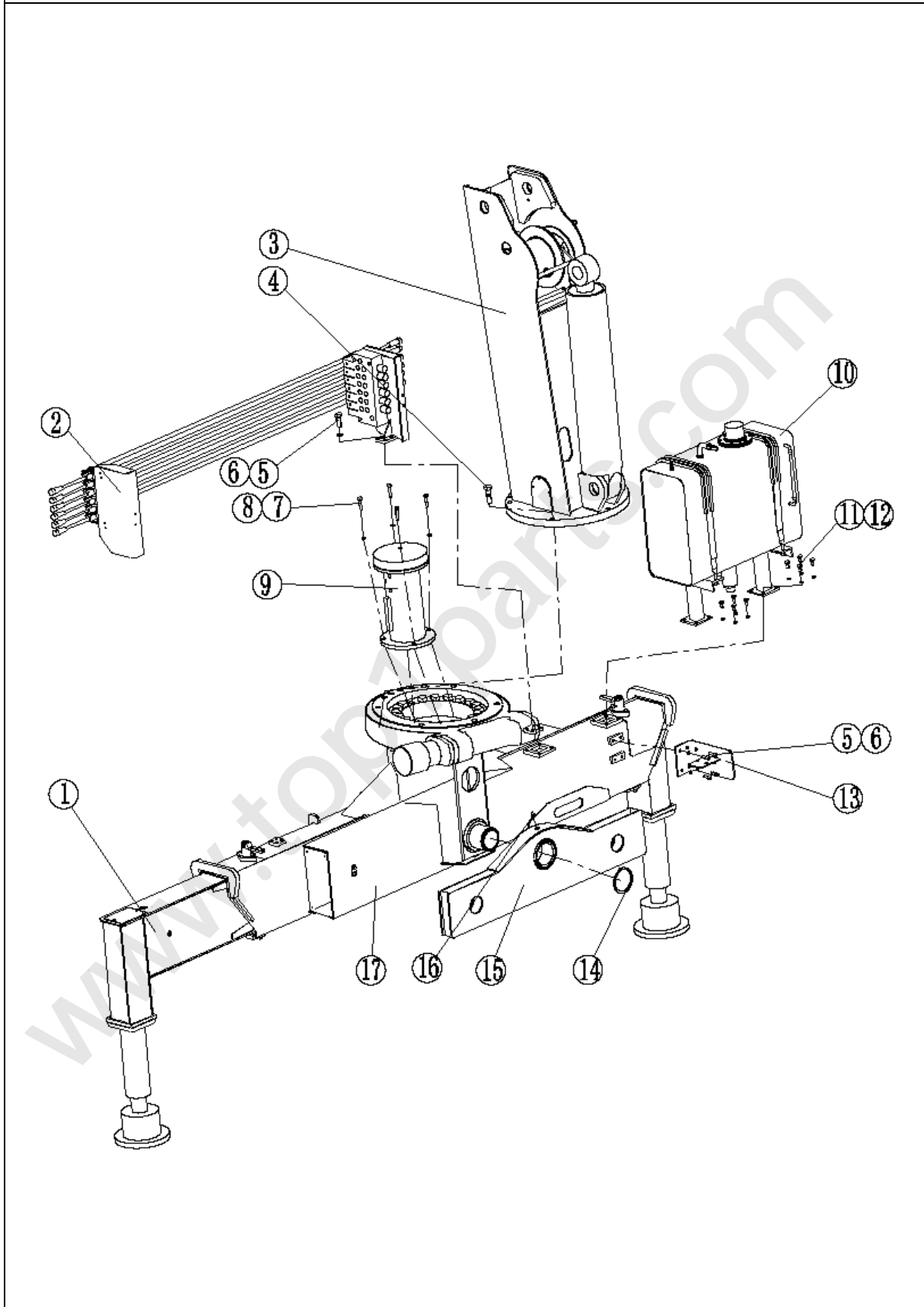


350300390 伸缩臂绳索装配 Boom extension rope assembly

序号 No.	物料代码 Part number	名称 Part Name	数量 Advised Q' ty	备注 Remark
1	350300566	三节伸臂 3rd boom extension	1	
2	350300551	二节伸臂 2nd boom extension	1	
3	350300533	一节伸臂 1st boom extension	1	
4	350300442	缩绳 I Rope I	2	
5	350300440	拉绳 II Cable II	1	
6	350300506	基本臂 Base boom	1	
7	350300445	缩绳 II Rope II	2	
8	805203158	螺母 M12 Nut	8	GB/T6170-2000
9	350300438	拉绳 I Cable I	1	
10	805200276	螺母 M14 Nut	2	GB/T6170-2000
11	805200098	螺母 M12 Nut	8	GB/T889.1-2000
12	805201504	螺母 M14 Nut	2	GB/T889.1-2000



350300342 回转机座总成 Slewing base



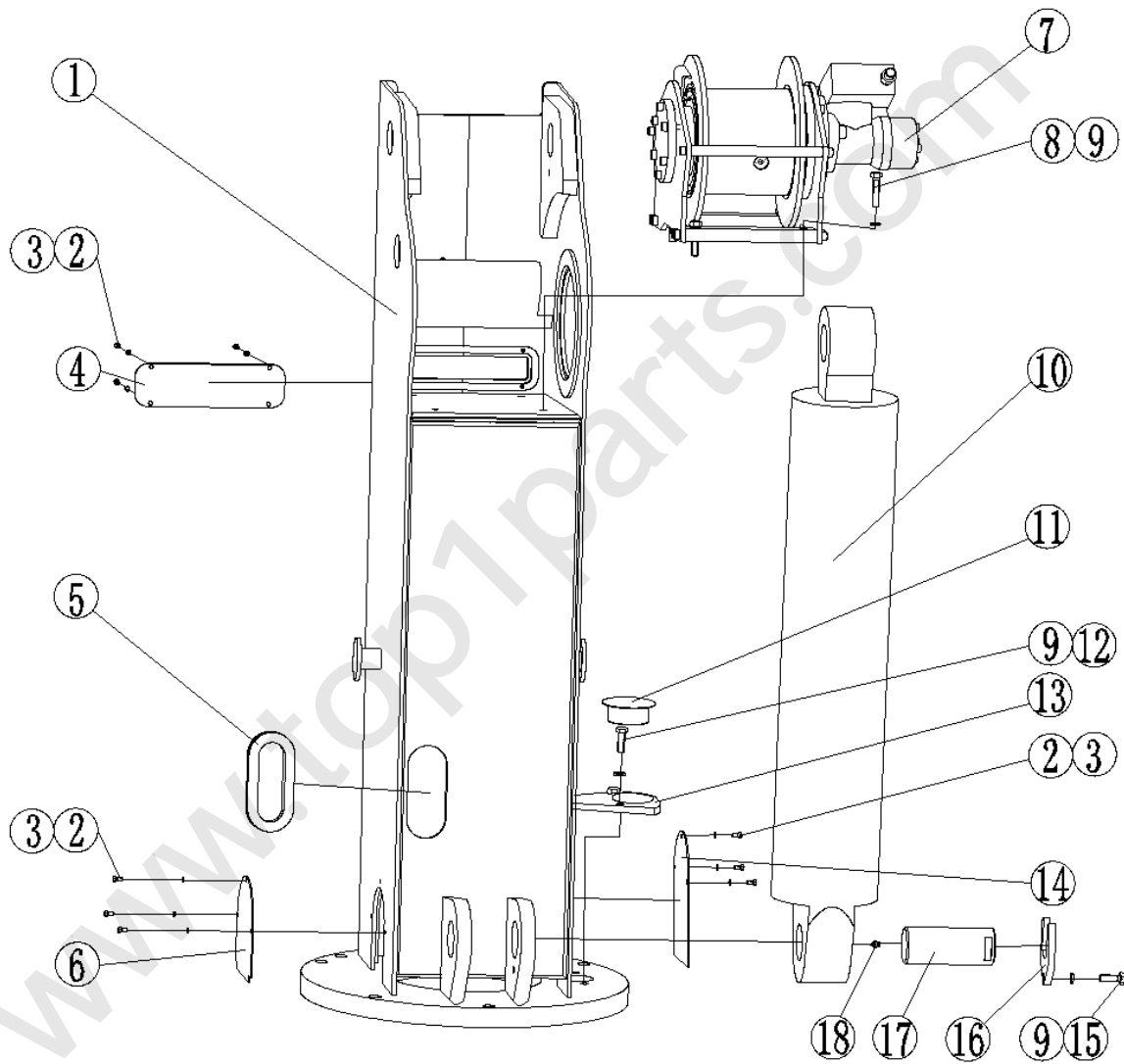


350300342 回转机座总成 Slewing base

序号 No.	物料代码 Part number	名称 Part Name	数量 Advised Q' ty	备注 Remark
1	350300371	活动腿总成 Stabilizer extension	1	
2	350300382	下车操纵系统 Controls	1	
3	350200497	转台总成 Column	1	
4	805004673	螺栓 M18×60 Bolt	10	GB/T5783-2000
5	805100037	螺钉 M8×25 Screw	12	GB/T70.1-2008
6	805300010	垫圈 8 Gasket	12	GB/T93-1987
7	805100298	螺钉 M16×45 Screw	9	GB/T70.1-2008
8	805300011	垫圈 16 Gasket	9	GB/T93-1987
9	358200044	回转分配器 Slewing distributor	1	
10	351600218	油箱总成 Oil tank	1	
11	805000714	螺栓 M10×20 Bolt	8	GB/T5783-2000
12	805300014	垫圈 10 Gasket	8	GB/T93-1987
13	350300581	旋阀架 Rotary valve frame	1	
14	805400043	挡圈 95 Check ring	1	GB/T894.1-1986
15	350200229	支架焊接 Bracket	1	
16	801100336	油杯 M10×1 Oil cup	1	JB/T7940.1-1995
17	350300343	机座体总成 Base	1	



350200497 转台总成 Column



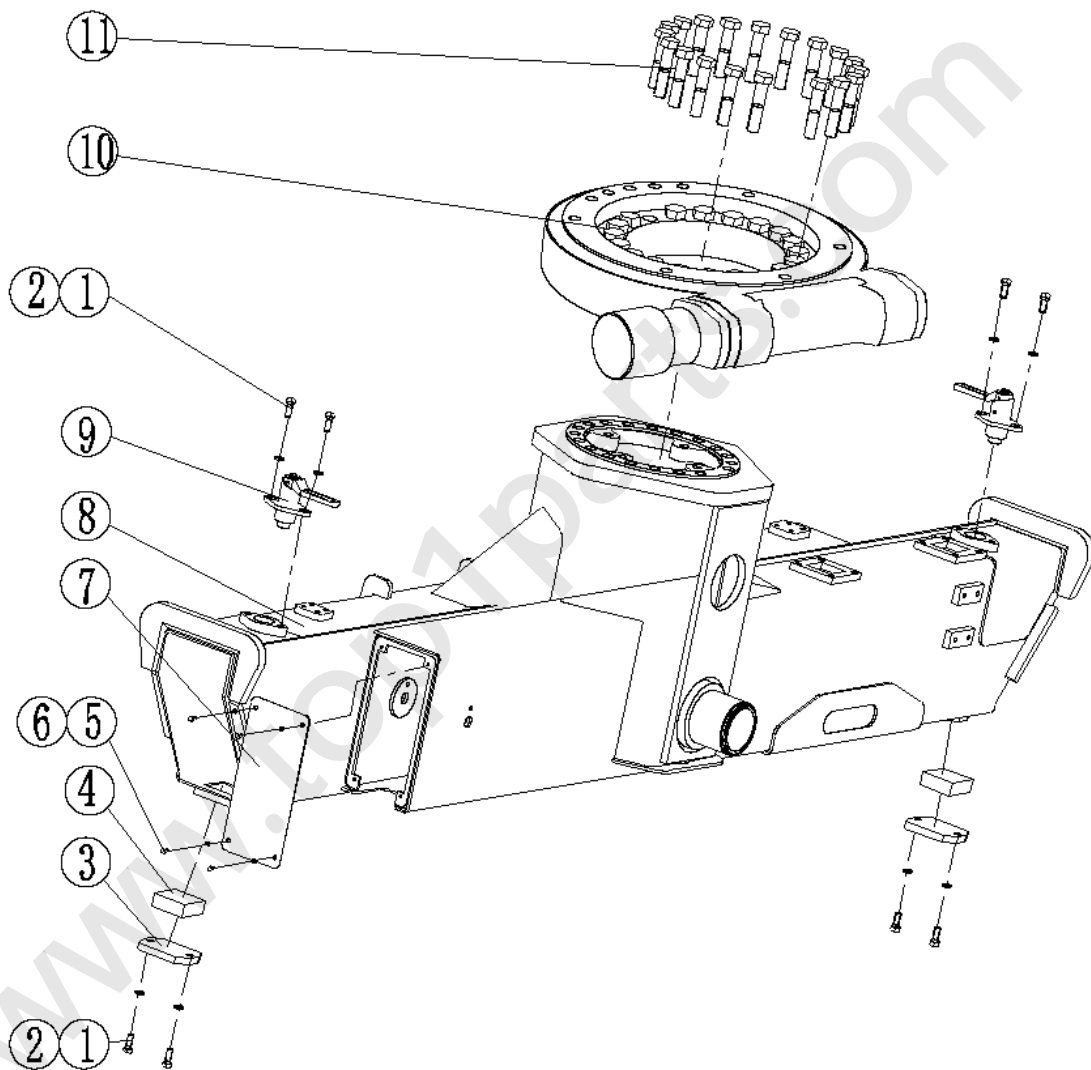


350200497 转台总成 Column

序号 No.	物料代码 Part number	名称 Part Name	推荐数量 Advised Q' ty	备注 Remark
1	350200497	转台 Column	1	
2	805000389	螺栓 M5×10 Bolt	10	GB/T5783-2000
3	805300109	垫圈 5 Gasket	10	GB/T93-1987
4	350200040	封板 Close board	1	
5	350201033	护套 Jacket	1	
6	350200496	封板 Close board	1	
7	358001709	液压绞车 Hydraulic winch	1	
8	805000713	螺栓 M10×45 Bolt	4	GB/T5783-2000
9	805300014	垫圈 10 Gasket	7	GB/93-1987
10	350300339	变幅油缸 1st boom cylinder	1	
11	359400092	盖子 Top	1	
12	805101913	螺钉 M10×30 Screw	2	GB/T70.1-2008
13	350200057	拨叉 Fork	1	
14	350200495	封板 Close board	1	
15	805000714	螺栓 M10×20 Bolt	1	GB/T5783-2000
16	359400021	卡板 Board	1	
17	350200001	销轴 Pin shaft	1	
18	801100336	油杯 M10×1 Oil cup	1	JB/T7940.1-1995



350300343 机座体总成 Base



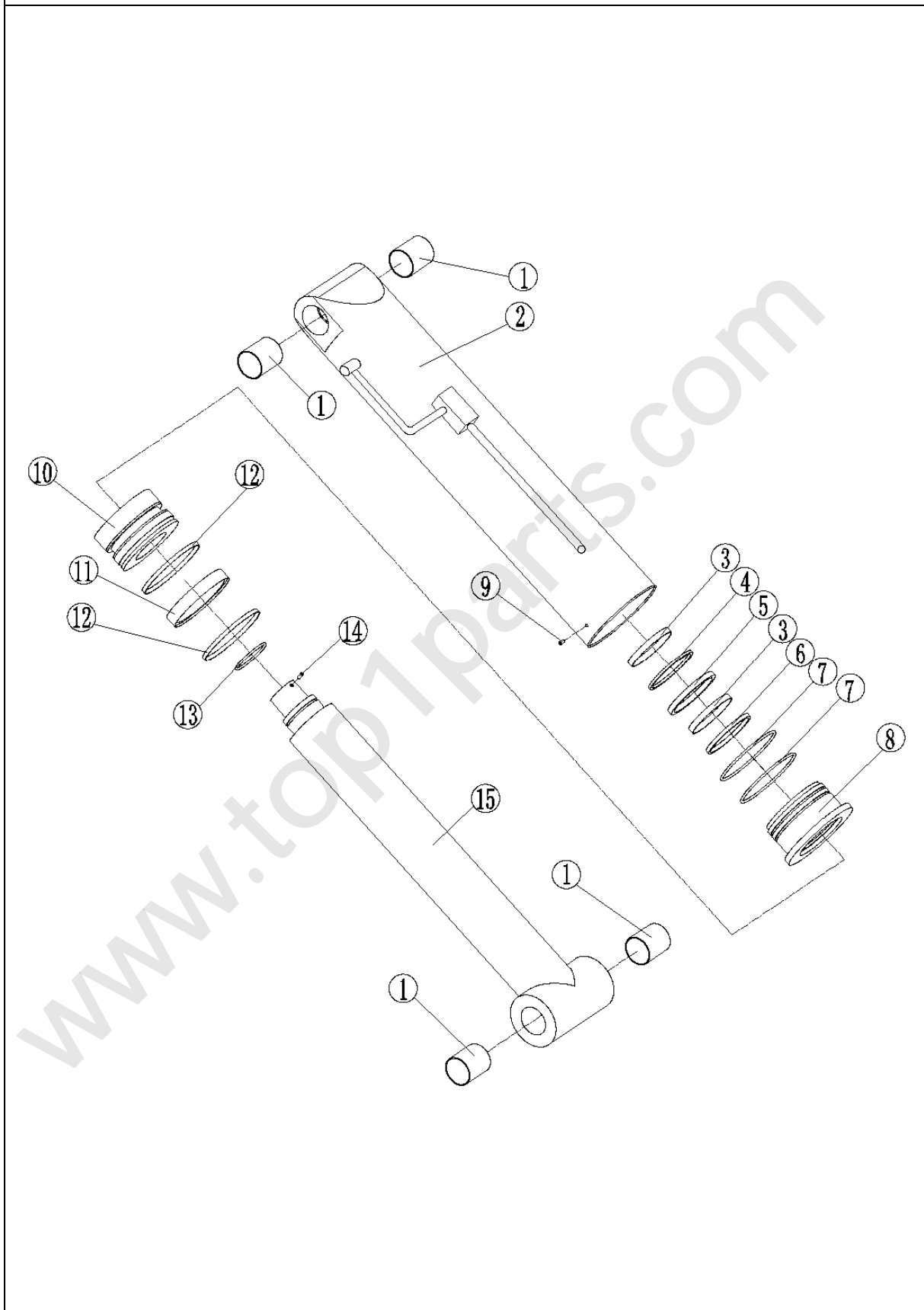


350300343 机座体总成 Base

序号 No.	物料代码 Part number	名称 Part Name	推荐数量 Advised Q' ty	备注 Remark
1	805100036	螺钉 M10×25 Screw	8	GB/T70.1-2008
2	805300014	垫圈 10 Gasket	8	GB/T93-1987
3	350400417	挡板 Baffle	2	
4	350500003	滑块 Slide pad	2	
5	805000389	螺栓 M5×10 Bolt	8	GB/T5783-2000
6	805300109	垫圈 5 Gasket	8	GB/T93-1987
7	350400419	封板 Close board	2	
8	350300343	机座体 Base	1	
9	359400179	锁紧总成 Locking assembly	2	
10	800306024	回转机构 HZ335B Revolving gear	1	
11	805004559	螺栓 M20×110 bolt	19	GB/T5783-2000



350300339 变幅油缸 Derricking cylinder



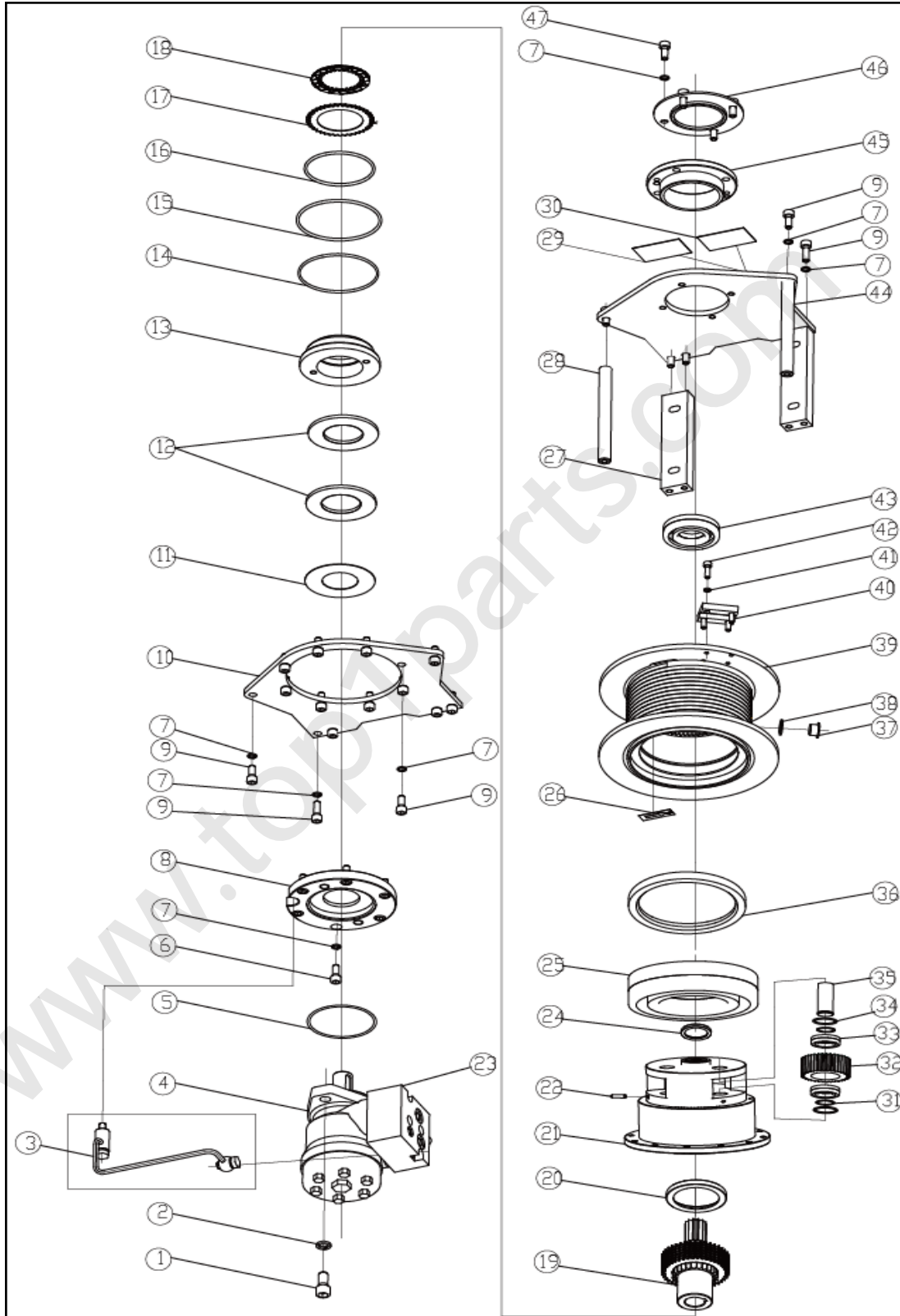


350300339 变幅油缸 Derricking cylinder

序号 No.	物料代码 Part number	名称 Part Name	推荐数量 Advised Q' ty	备注 Remark
1	——	无油轴套 $\Phi 90 \times \Phi 95-100$ Shaft bush	4	
2	——	缸筒 canister	1	
3	——	轴用支撑环 support ring d160X14.7-2.5	2	
4	——	阶梯封 ladder seal d160X175.5-6.3	1	
5	——	轴用密封圈 seal ring d160X185-17	1	
6	——	防尘圈 dustproof ring d160X175-5/11	1	
7	——	O 型圈 220X5.7 o-ring	2	
8	——	导向套 pilot bush	1	
9	——	螺钉 M10X12 screw	1	
10	——	活塞 piston	1	
11	——	组合封 assembled seal D220X195-50.8	1	
12	——	挡圈 D220X211-2 check ring	2	
13	——	O 型圈 130X5.7 o-ring	1	
14	——	螺钉 M8X10 Screw	1	
15	——	活塞杆 Piston rod	1	



358001709 液压绞车 Hydraulic winch





358001709 液压绞车 Hydraulic winch

序号 No.	物料代码 Part number	名称 Part Name	推荐数量 Advised Q' ty	备注 Remark
1	805100115	螺钉 M12X25 Screw M12X25	2	GB/T70.1
2	805300018	垫圈 12 gasket 12	2	GB/T93
3	358000171	油管 Oil tube	1	
4	803007709	马达 Motor	1	OMR-160
5	803175015	O 形圈 82.22X2.62 o-ring 82.22X2.62	1	C92
6	805103995	螺钉 M8X15 Screw M8X15	6	GB/T70.1
7	805300010	垫圈 8 gasket 8	30	GB/T93
8	358001690	端盖 cover	1	
9	805100064	螺钉 M8X20 Screw M8X20	20	GB/T70.1
10	358001703	左侧板 Left side board	1	
11	358000073	调整垫 Adjustable cushion	1	
12	801702810	碟簧 90X46X3.5X6 Dish spring 90X46X3.5X6	2	GB/T1972
13	358001684	活塞 piston	1	
14	803175031	O 形圈 98X3 o-ring 98X3	1	EKM
15	803309621	组 合 封 D103X92X6 gasket D103X92X6	1	KGF10306NP3
16	803309622	组 合 封 D87.5X76.5X6 Gasket D87.5X76.5X6	1	KGF8706NP3
17	358001691	摩擦静片 Static slice	9	
18	358001693	摩擦动片 Dynamic slice	8	
19	358001685	太阳轮 Sun wheel	1	
20	358001700	挡板 baffle	1	
21	358001682	筒芯 Cylinder core	1	
22	805005415	螺钉 M6X15 Screw M6X15	3	GB/T79
23	803008122	平衡阀 Balance valve	1	CBPA-B-OMP-C1
24	358001699	摩擦垫 Friction cushion	1	GB/T5801
25	800552626	轴承 61822 Bearing 61822	1	GB/T276
26	358001704	标牌 label	1	
27	358001701	连接板 Connected board	2	
28	358001705	连杆 linker	2	
29	358001706	起升减速机标牌 label	1	
30	358001707	起升减速机标牌 label	1	
31	358001698	行星垫 Planet cushion	6	
32	358001696	行星轮 Planet wheel	3	
33	800513877	轴承 NA4903 Bearing NA4903	6	GB/T5801
34	358001697	摩擦垫 Friction cushion	6	

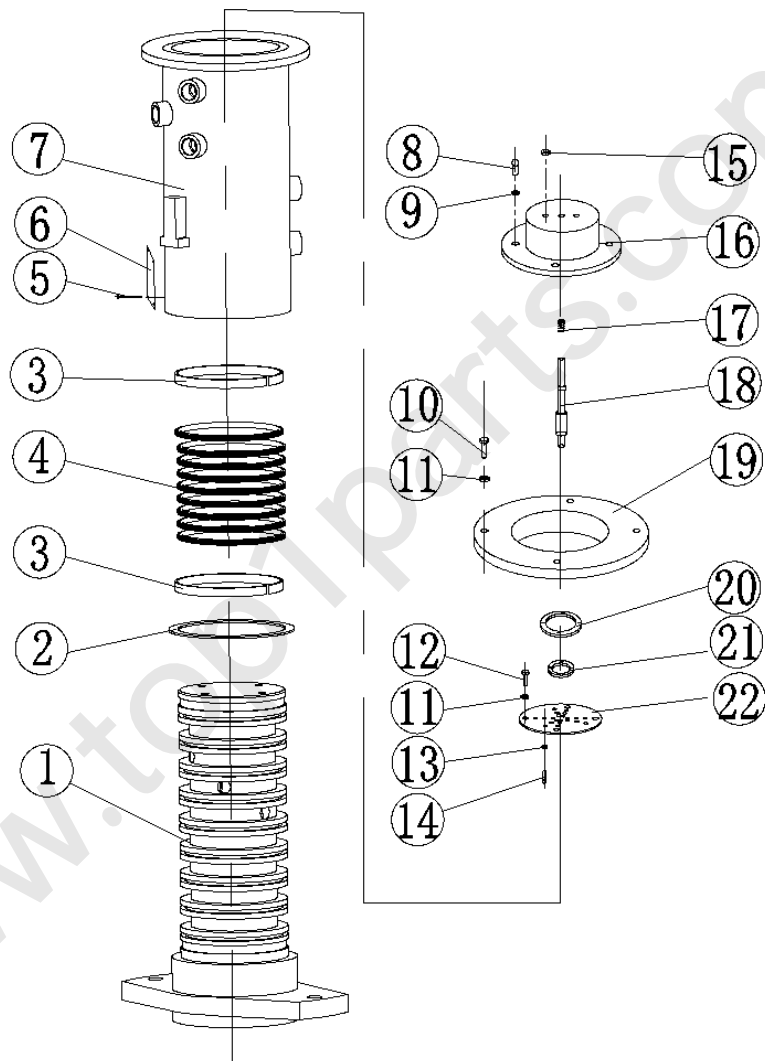


358001709 液压绞车 Hydraulic winch

序号 No.	物料代码 Part number	名称 Part Name	推荐数量 Advised Q' ty	备注 Remark
35	358001694	行星轴 Planet shaft	3	
36	803175106	油封 125X150X12 oil seal 125X150X12	1	SN70-TC
37	803174310	螺塞 M16X1.5 Screw thread plug M16X1.5	3	JB/ZQ4444
38	805300026	组合密封 16 Gasket 16	3	JB/T982
39	358001687	筒体组件 cylinder	1	
40	358000243	压板 Press board	1	
41	805300030	垫圈 6 gasket 6	4	GB/T9
42	805100059	螺钉 M6X20 Screw M6X20	4	GB/T70.1
43	800500194	轴承 6207 Bearing 6207	1	GB/T276
44	358001702	右侧板 Right side board	1	
45	358000089	轴承盖 Bearing cover	1	
46	358000086	外端盖 End cover	1	
47	805000017	螺栓 M8X25 Bolt M8X25	4	GB/T5783



358200044 回转分配器 Slewing distributor



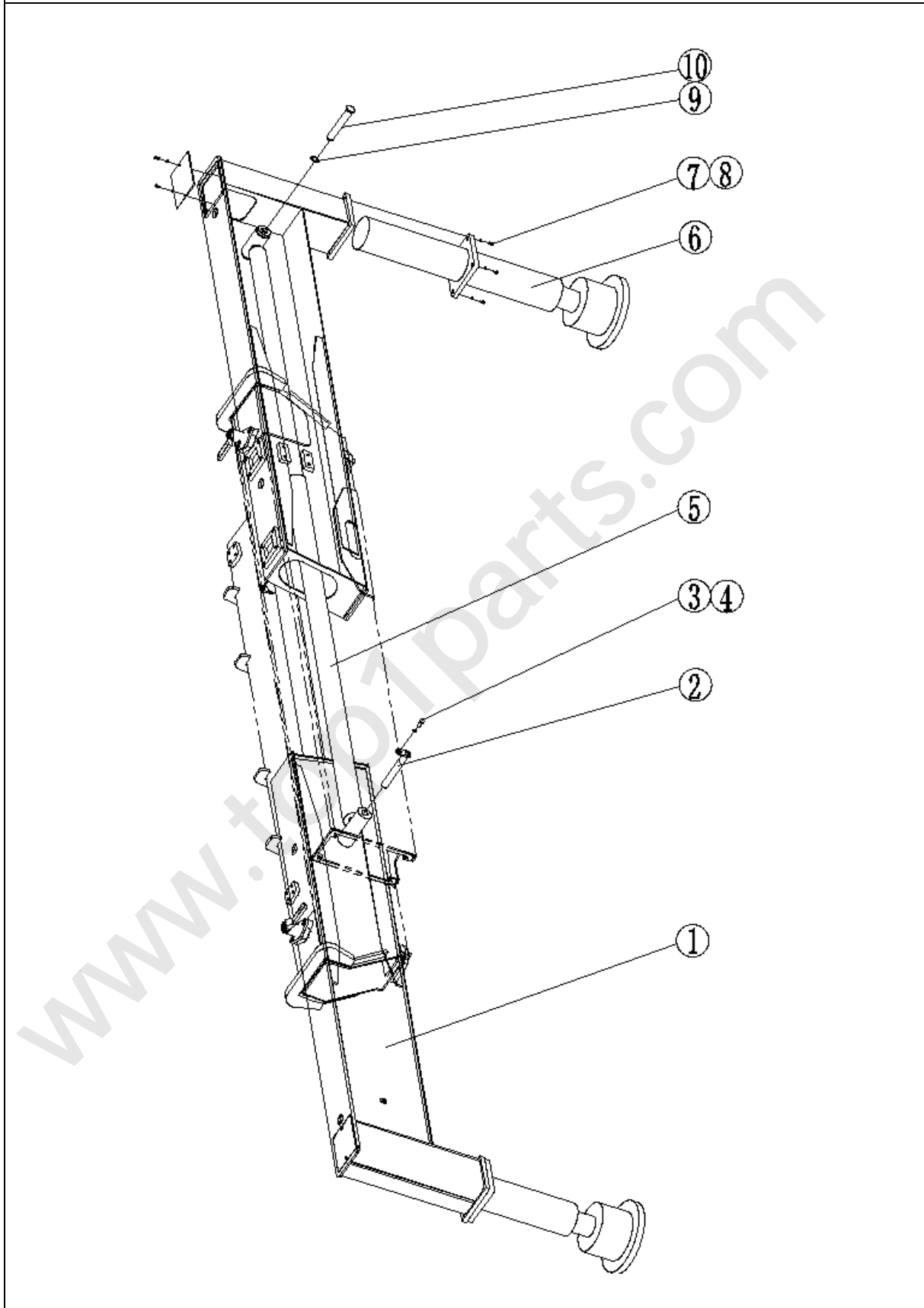


358200044 回转分配器 Slewing distributor

序号 No.	物料代码 Part number	名称 Part Name	推荐数量 Advised Q' ty	备注 Remark
1	358200341	芯轴 Core shaft	1	
2	358200045	耐磨垫 I Wearable cushion	1	
3	803175084	导向环 Pilot ring	2	
4	803175148	旋转密封 Rotary seal	9	
5	358200048	回转分配器标牌 Scutcheon	1	
6	358200342	分配体 Cylinder	1	
7	805000137	螺栓 M8×40 Bolt M8×40	4	GB/T5783-2000
8	805302783	弹性垫圈 8 Spring cushion 8	8	GB/T859-1987
9	805100154	螺栓 M8×30 Bolt M8×30	4	GB/T70.1-2008
10	358200015	盖板 Cover board	1	
11	358200014	过渡套 Bush	1	
12	358200047	压板 Press board	1	
13	358200046	耐磨垫 II Wearable cushion	1	



350300371 活动支腿总成 Stabilizer extension



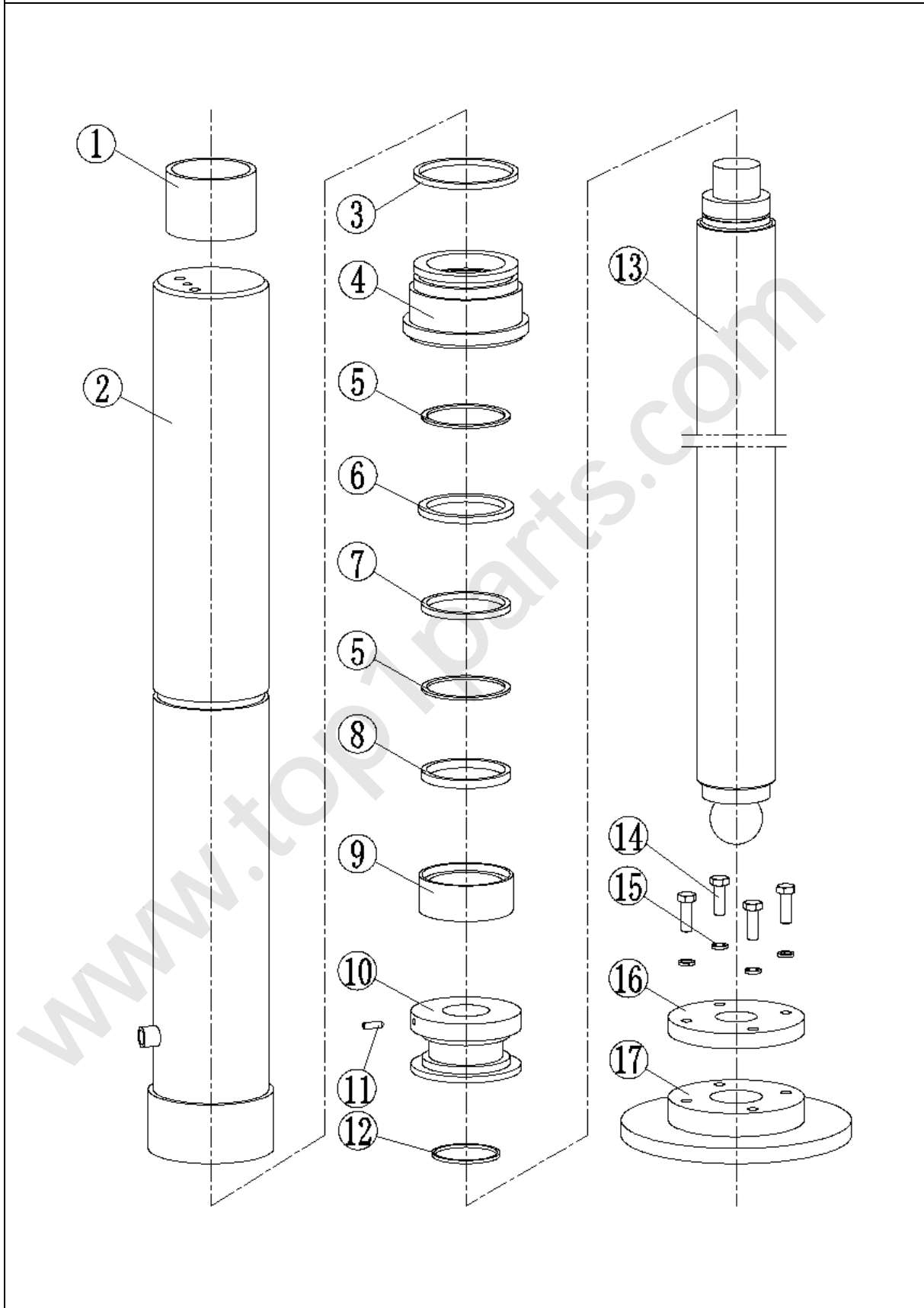


350300371 活动支腿总成 Stabilizer extension

序号 No.	物料代码 Part number	名称 Part Name	推荐数量 Advised Q' ty	备注 Remark
1	350300371	活动支腿 Stabilizer extension	2	
2	350400466	销轴 Pin shaft	2	
3	805000018	螺栓 M8×20 Bolt M8×20	2	GB/T5783-2000
4	805300010	垫圈 8 Cushion ring 8	2	GB/T93-1987
5	350300381	水平油缸 Horizontally cylinder	2	
6	350200511	支腿油缸 Leg cylinder	2	
7	805101913	螺钉 M10×30 Screw M10×30	8	GB/T70.1-2008
8	805300014	垫圈 10 Gasket 10	8	GB/T93-1987
9	350500009	销轴 Pin shaft	2	
10	805400039	挡圈 Check ring	2	



350200511 支腿油缸 Leg cylinder



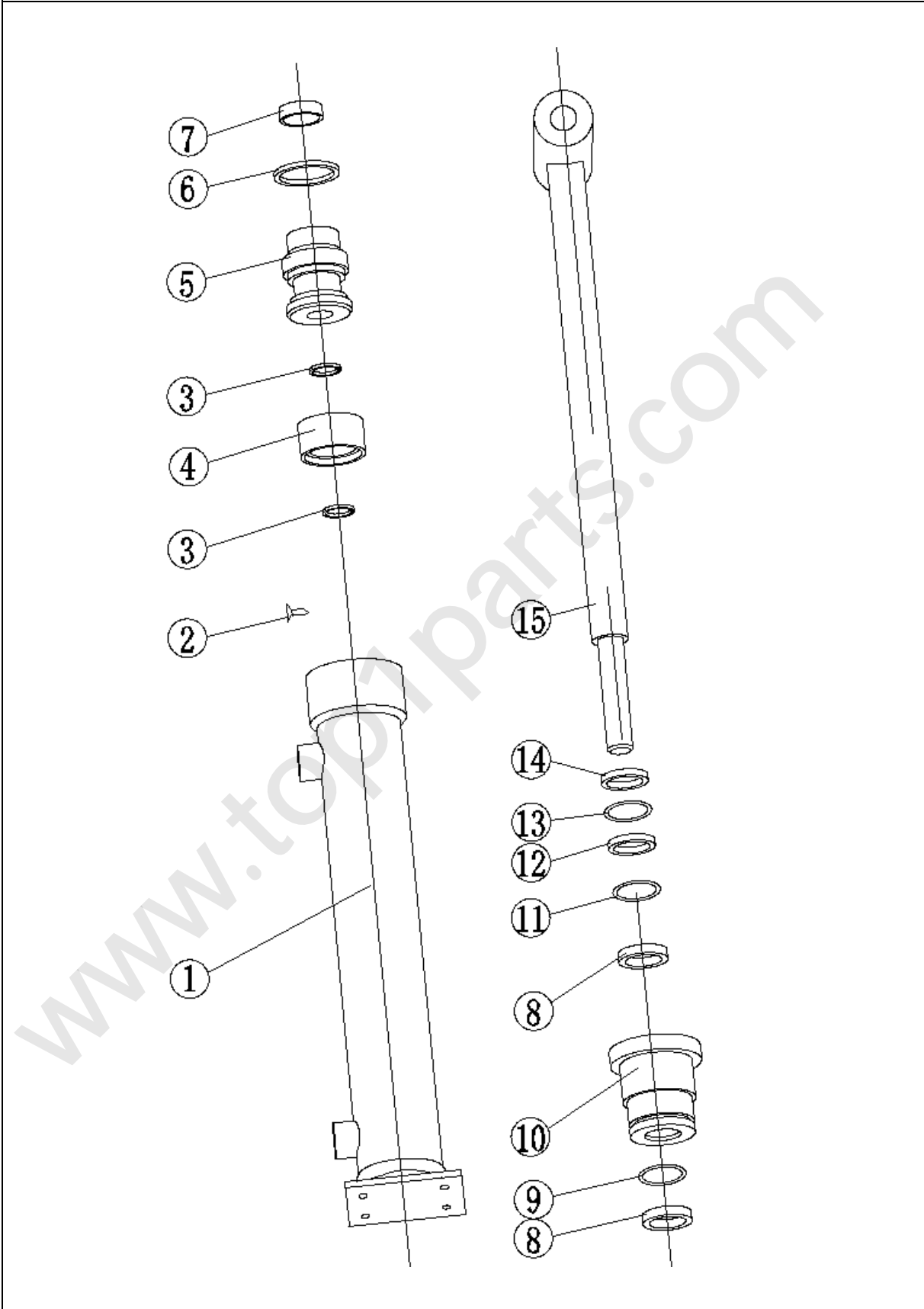


350200511 支腿油缸 Leg cylinder

序号 No.	物料代码 Part number	名称 Part Name	推荐数量 Advised Q'ty	备注 Remark
1	——	隔套 Separate ringer	1	
2	——	缸体 Cylinder	1	
3	——	O型圈 O-ring	1	
4	——	导向套 Pilot ringer	1	
5	——	轴用支承环 Support ring	2	
6	——	组合封 Assembled seals	1	
7	——	轴用密封圈 Seals ring for shaft	1	
8	——	防尘圈 Dustproof ring	1 组	
9	——	组合封 Assembled seals	1	
10	——	活塞 Piston	1	
11	——	内六角紧定螺钉 Allen bolt	1	
12	——	O型圈 O-ring	1	
13	——	活塞杆 Piston rod	4	
14	——	六角螺钉 Hexagon bolt	4	
15	——	弹簧垫圈 Spring ring	1	
16	——	盖板 Cover	1	
17	——	法兰座 Flange seat	1	



350300381 水平油缸总成 Horizontal cylinder



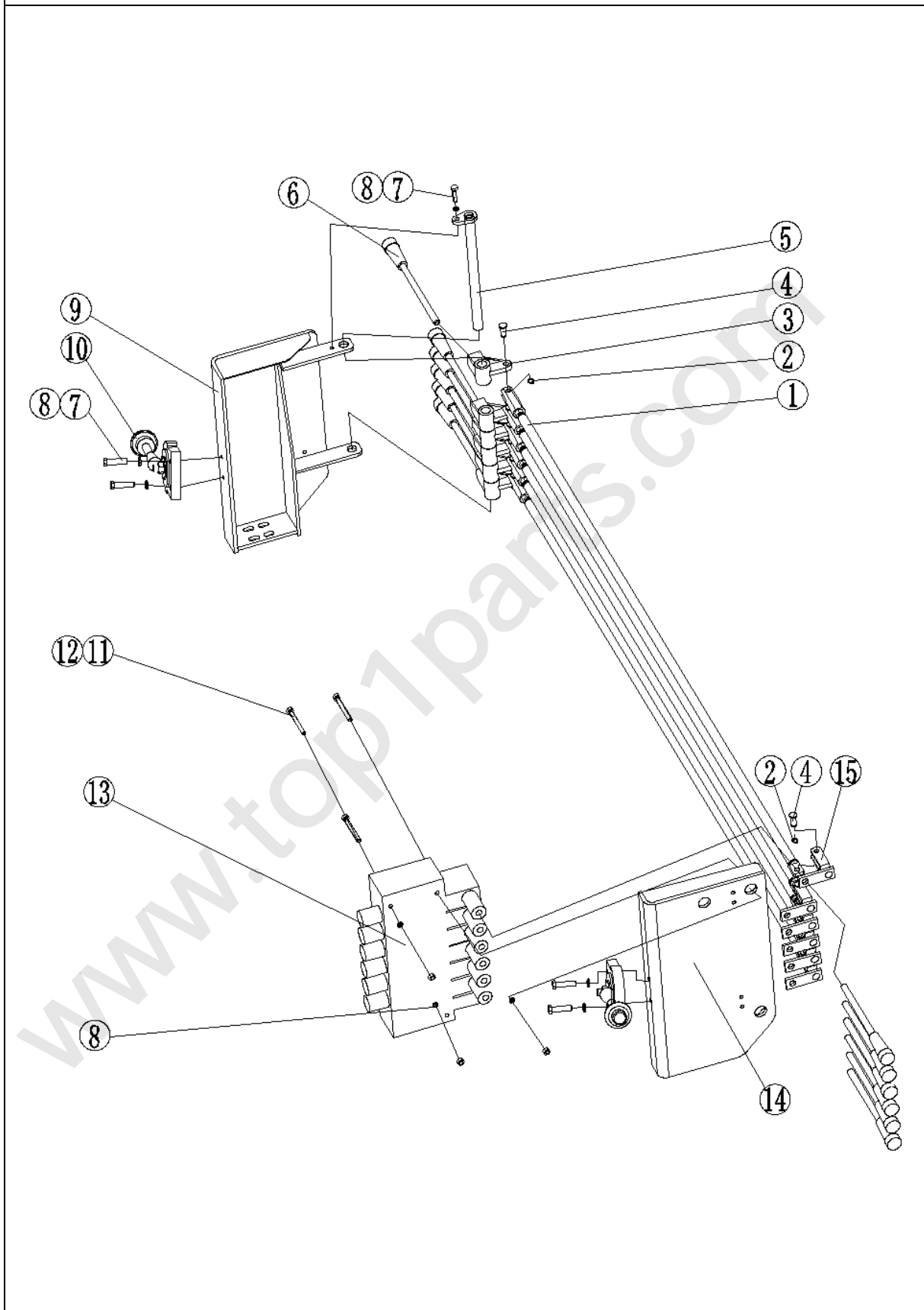


350300381 水平油缸总成 Horizontal cylinder

序号 No.	物料代码 Part number	名称 Part Name	推荐数量 Advised Q' ty	备注 Remark
1	——	缸体 Cylinder	1	
2	——	紧定螺钉 Tightness screw	1	
3	——	孔用支承环 Support ring for hole	2	
4	——	组合封 Assembled ring	1	
5	——	活塞 Piston	1	
6	——	O型圈 o-ring	1	
7	——	隔套 Separate bush	1	
8	——	轴用支承环 Support ring for shaft	2	
9	——	O型圈 o-ring	1	
10	——	导向套 Pilot bush	1	
11	——	O型圈 o-ring	1	
12	——	轴用密封圈 Seal ring for shaft	1	
13	——	O型圈 o-ring	1	
14	——	防尘圈 Dustproof ring	1	
15	——	活塞杆 Piston rod	1	



350300382 下车操纵系统 Controls



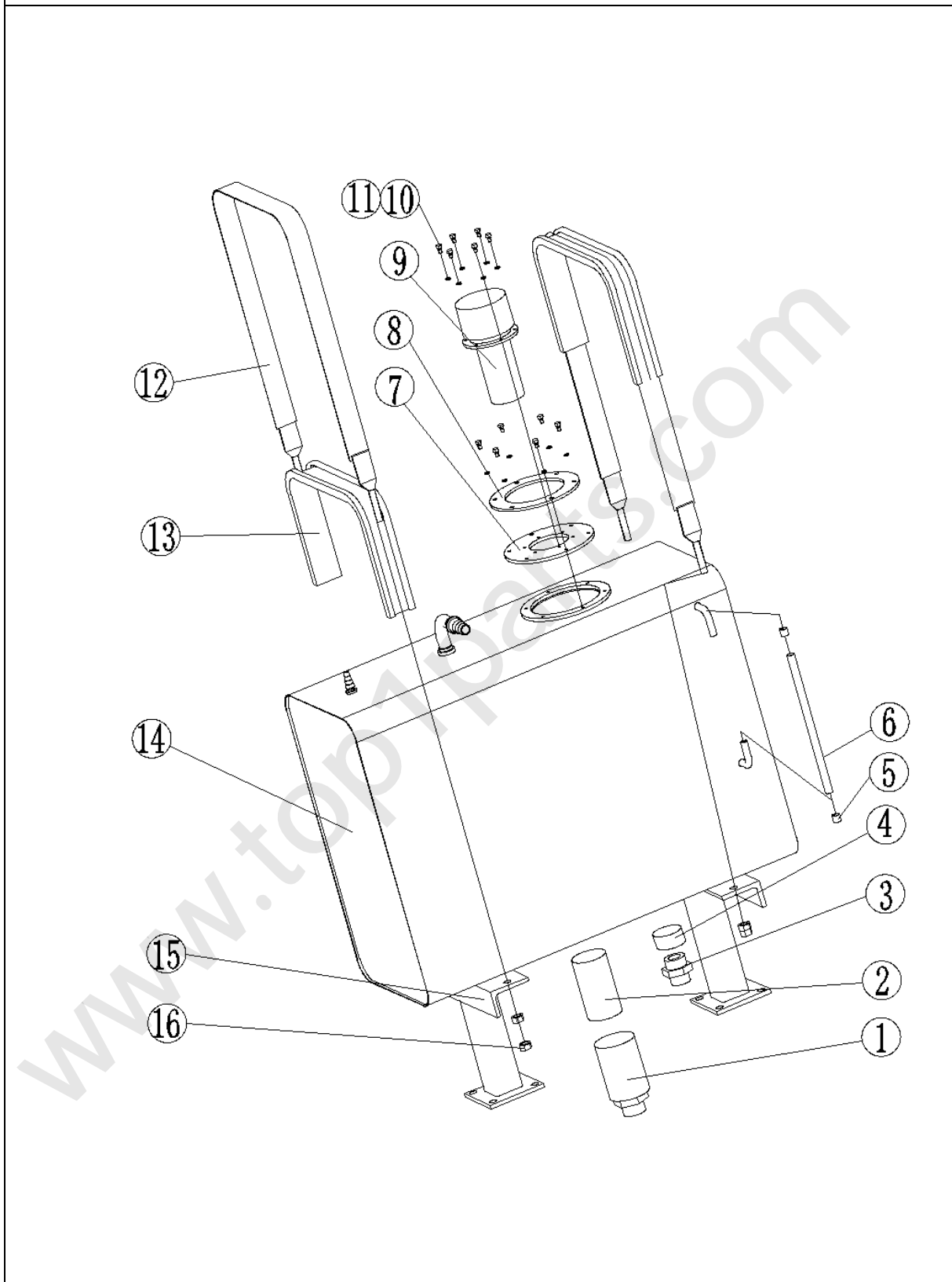


350300382 下车操纵系统 Controls

序号 No.	物料代码 Part number	名称 Part Name	推荐数量 Advised Q' ty	备注 Remark
1	350300384	连杆 Couplet rod	6	
2	805300010	挡圈 Check ring	12	
3	359400100	拨叉 Fork	6	
4	359400133	销轴 Pin shaft	12	
5	359400128	联接轴 Connected shaft	1	
6	359400199	操纵手柄 Control hand lever	6	
7	805000031	螺栓 M6×25 Bolt M6×25	5	GB/T5783-2000
8	805300030	垫圈 6 Gasket 6	5	GB/T93-1987
9	350300383	操纵架 Control station	1	
10	800305966	软轴 Flexible shaft	2	
11	805000057	螺栓 M6×60 Bolt M6×60	3	GB/T5783-2000
12	805200053	螺母 M6 Nut M6	3	GB/T6170-2000
13	803007878	多路阀 Multichannel valve	1	
14	350300385	阀架 Valve bracket	1	
15	359400118	拨叉 Fork	6	



351600218 油箱总成 Oil tank



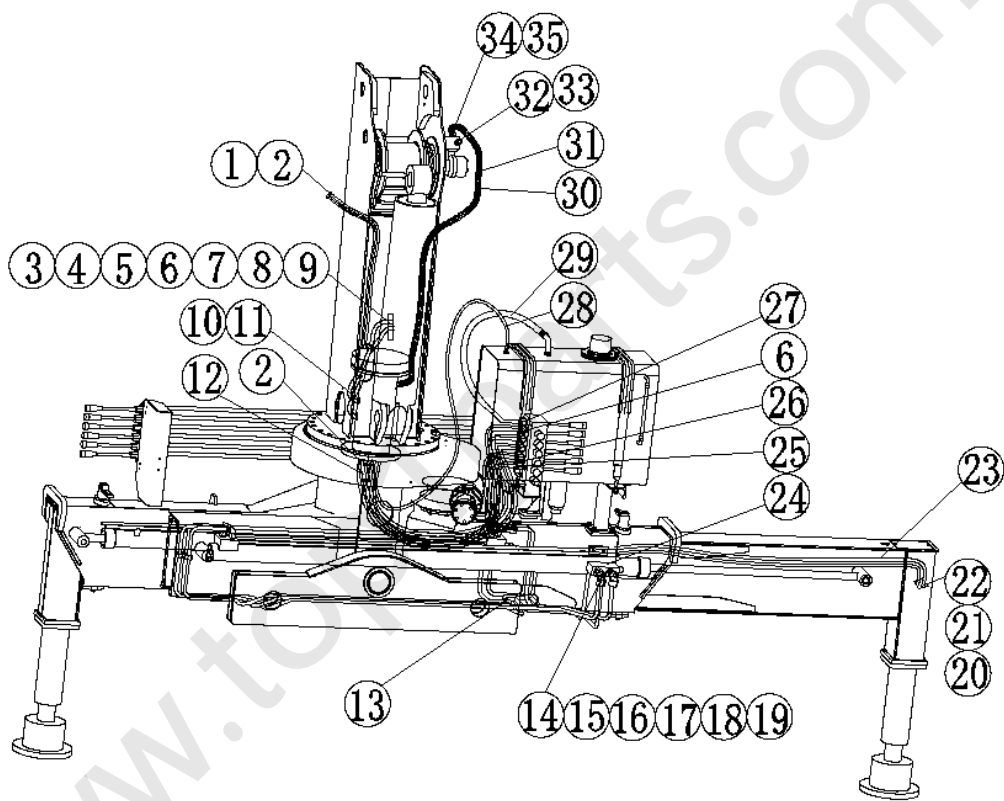


351600218 油箱总成 Oil tank

序号 No.	物料代码 Part number	名称 Part Name	推荐数量 Advised Q' ty	备注 Remark
1	59400055	接头体 Joint	1	
2	803174320	滤油器 Filter	1	
3	803174305	螺塞 M27×2 Screw thread plug	1	JB1000-77
4	805302544	垫圈 27 Gasket	1	JB982-77
5	356001269	管箍 Hose hoop	2	
6	801906033	透明软管 transparent hose	1	
7	351600227	垫圈 gasket	1	
8	351600226	盖板 cover board	1	
9	803100027	空气滤清器 Air filter	1	
10	805005559	螺栓 M4×15 Bolt	12	
11	805300027	垫圈 4 Gasket	12	
12	351600193	紧固带 Tightness belt	2	
13	351600192	缓冲垫 Bumper	2	
14	351600228	油箱焊接 Tank body	1	
15	351600219	油箱支架 Tank bracket	2	
16	805200048	螺母 M8 Nut M8	8	GB5781-86



350300410 液压布管图 Hydraulic pipeline





350300410 液压布管图 Hydraulic pipeline

序号 No.	物料代码 Part number	名称 Part Name	推荐数量 Advised Q'ty	备注 Remark
1	803180146	软管 Hose	2	N381HAQO121805-1800
2	803190713	接头 Joint	18	I12L
3	803007973	单向平衡阀 Balance valve	1	SPHBB50
4	803175593	软管 Hose	2	N381HAQO121805-600
5	803174763	直通接头 Straight joint	2	I12LG3/8ED
6	803174462	接头 Joint	14	I12LG3/8ED
7	803175879	端螺纹塞堵 Whorlplug	7	VS-R3/8-WD
8	805103588	螺钉 M8×45 Screw M8×45	4	GB/T70.1-2000
9	805300010	垫圈 8 Gasket 8	4	GB/T93-1987
10	805103958	空心螺钉 Hollow screw	7	M18×1.5×38
11	803175155	组合垫 φ 18 Gasket φ 18	14	
12	803175448	软管 Hose	6	N381HAHA121205-1100
13	803164596	三通 Joint	1	
14	350300430	弯管 Bend tube	1	
15	350300431	弯管 Bend tube	1	
16	350300432	弯管 Bend tube	1	
17	350300433	弯管 Bend tube	1	
18	350300434	弯管 Bend tube	1	
19	350300435	弯管 Bend tube	1	
20	803008012	双向液压锁 dual-hydraulic lock	2	SO-K8L-J7
21	805005193	螺栓 M10×45 Bolt M10×45	8	GB/T5783-2000
22	805300014	垫圈 10 Gasket 10	8	GB/T93-1987
23	803177423	软管 Hose	4	N381HAHE101006-2100
24	803007944	选择阀 Multichannel-valve	1	45XF-L6
25	350300428	弯管 Bend tube	1	
26	350300429	弯管 Bend tube	1	
27	803174471	接头 Joint	1	I15LG1/2ED
28	803175218	软管 Hose	1	N481HAHA101005-2100
29	803180856	软管 Hose	1	N481HAHF151510-800
30	803183008	软管 Hose	2	N381HAQO121805-1300
31	803175653	软管 Hose	1	N481HAQO101805-1250
32	803190783	直通接头 Straight joint	1	I10LG1/4ED
33	803190761	直角组合接头 Right-angle joint	3	LH10L
34	803190731	直角组合接头 Right-angle joint	2	LH12L
35	803103915	直通接头 Straight joint	4	I12LG1/2ED



www.top1parts.com



www.top1parts.com



www.top1parts.com