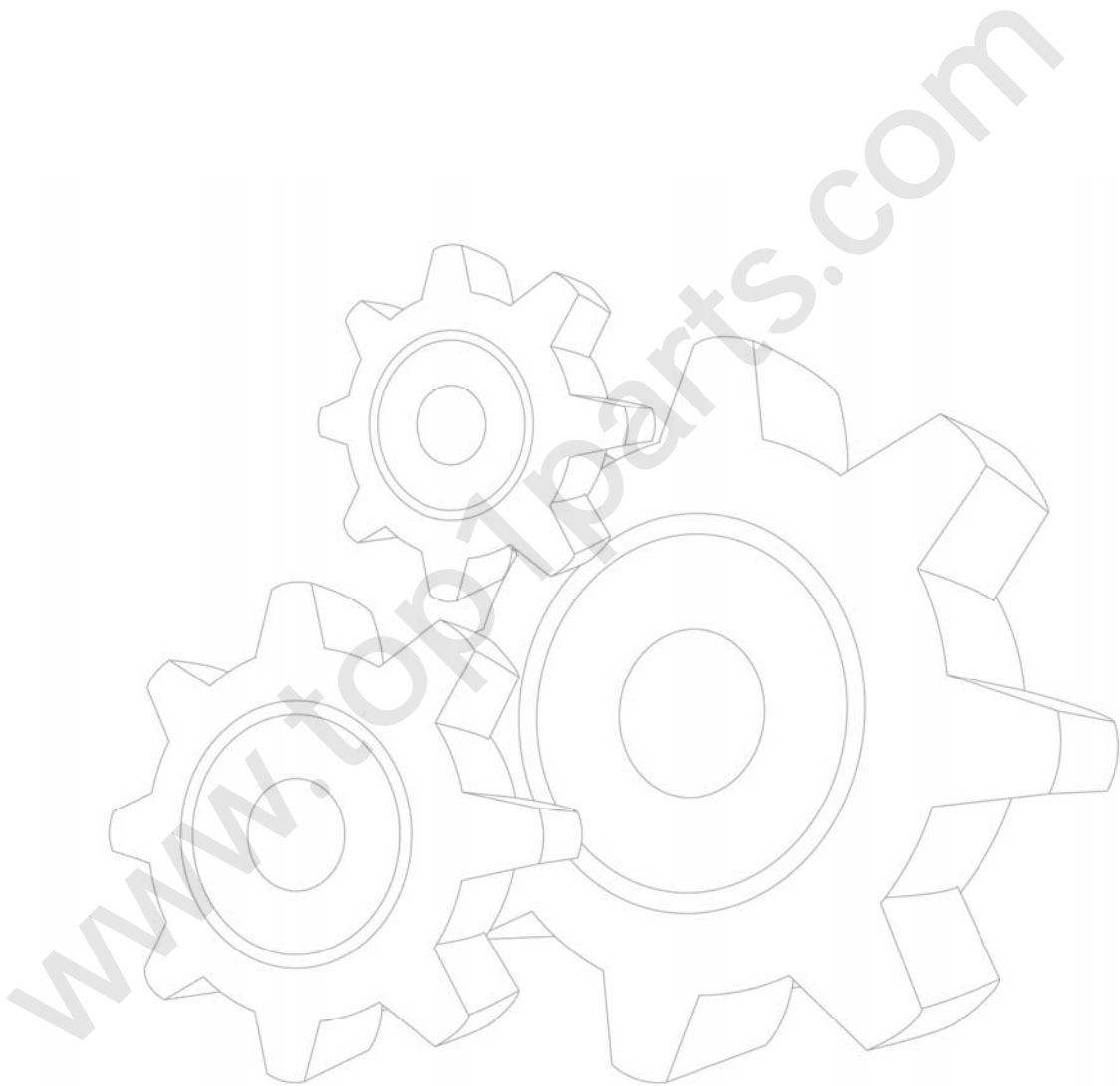




SQ3. 2SK2Q 随车起重机备件图册

SQ3. 2SK2Q Truck-mounted Crane SPARE PARTS CATALOGUE





目次 Contents

前 言	II
Preface	III
350200492 SQ3.2SK2Q 随车起重机 SQ3.2SK2Q Truck-mounted crane	1
350200361 吊臂总成 Boom assembly	3
350200367 伸缩油缸装配 Telescopic cylinder assembly.....	6
伸缩油缸 I Telescopic cylinder I.....	8
伸缩油缸 II Telescopic cylinder II	10
350200497 转台总成 Column.....	12
358001683 液压绞车 Hydraulic winch.....	14
350200359 变幅油缸 Derricking cylinder	17
回转机构 Slewing.....	19
358200044 回转分配器 Slewing distributor	21
350200503 机座体总成 Pedestal.....	23
350200511 支腿油缸 Leg cylinder.....	25
350200509 操纵系统 controls.....	27
350200512 布管系统 Hydraulic pipe layout.....	29
350200392 上车布管系统 Up hydraulic pipe layout.....	31
350200513 下车布管系统 Down hydraulic pipe layout	33

前 言

衷心感谢您对徐工品牌的信赖和认可并使用徐工生产的 SQ3.2SK2Q 随车起重机。

本图册提供了“SQ3.2SK2Q”列为备件的结构及装配关系，旨在方便备件工程师和用户对起重机更好的维修和保养。本图册应配合产品使用说明书共同使用，请您严格按照备件图册进行操作、维护，使“SQ3.2SK2Q”处于最佳工作状态。

为方便用户备件检索，本图册已将“SQ3.2SK2Q”的大型结构件及整体采购件拆分至最小可维修单元，在分解图后附有明细表与所示零件一一对应。

本备件图册及其它随车技术文件是“SQ3.2SK2Q”的组成部分，请在产品寿命期内随车妥善保存，共同作为您使用该“SQ3.2SK2Q”的必须依据。

我公司保留随技术改进而不断修订《备件图册》内容的权利，如有变更，恕不另行通知，望各位用户予以理解。

2012 年十月第一版

Preface

Firstly, thank you for selecting Truck Crane designed and manufactured by XCMG.

The aim of supplying the catalogue is to facilitate maintenance and service to the SQ3.2SK2Q Truck-mounted Crane. It should be used together with the operation manual and maintenance manual. Please strictly follow the instructions in operation manual and maintenance manual for operation and maintenance.

There are details for assembly of parts in it, which large structural parts and integrated parts are disassembled into minor maintenance units. There is a list following each detail for user looking up spare parts. Please refer to carrier spare parts catalogue for contents involved with carrier spare parts.

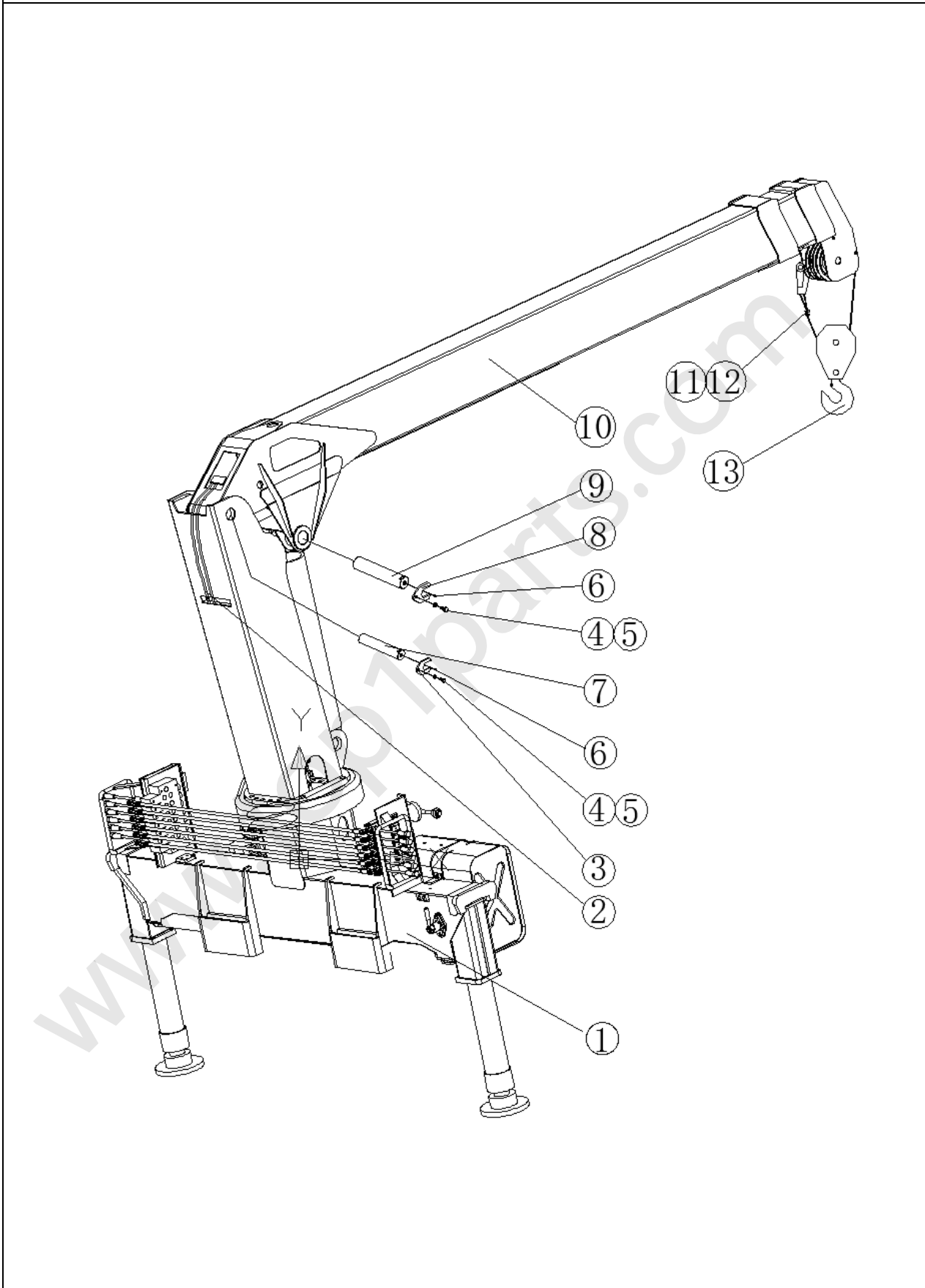
The manual is an integral part of the crane. Please keep them handy in the driver's or operator's cab with the supplied technical documents and operate the machine according to instruction in them.

We reserve the right to modify the catalogue for improvement without notice .

10/2012 First Edition



350200492 SQ3.2SK2Q 随车起重机 SQ3.2SK2Q Truck-mounted crane



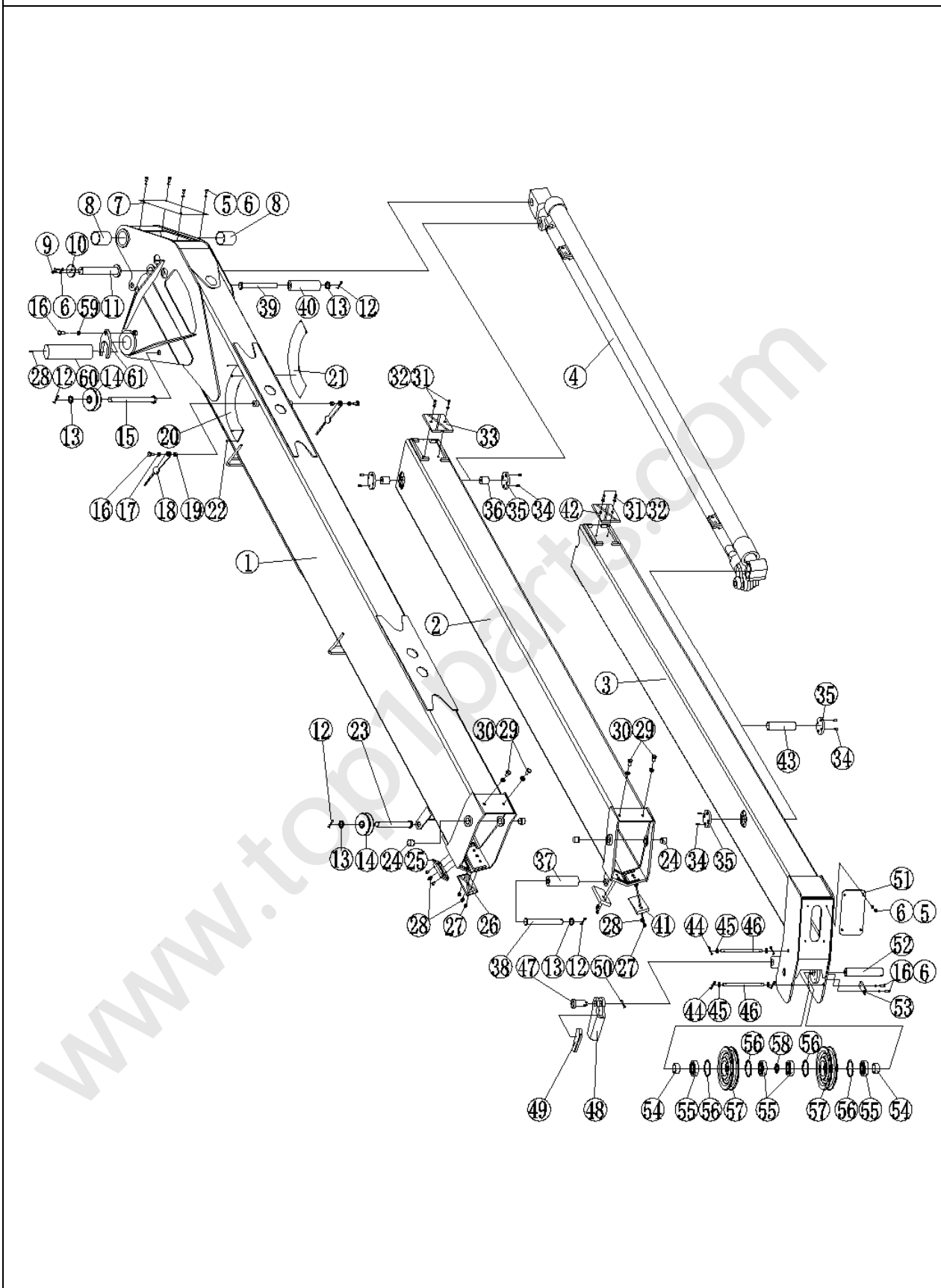


350200492 SQ3.2SK2Q 随车起重机 SQ3.2SK2Q Truck-mounted crane

序号 No.	物料代码 Part number	名称 Part Name	推荐数量 Advised Q' ty	备注 Remark
1	350200494	回转机座总成 Slewing base	1	
2	350200512	布管系统 Hydraulic pipe layout	1	
3	359400020	卡板 Clip board	1	
4	805000714	螺栓 M10×20 Bolt	2	GB/T5783-2000
5	805300014	垫圈 10 Gasket	2	GB/T93-1987
6	801100336	油杯 M10×1 Oil cup	2	JB/T7940.1-1995
7	350200004	轴 Shaft	1	
8	359400021	卡板 Clip board	1	
9	350200029	销轴 Pin shaft	1	
10	350200361	吊臂总成 Boom assembly	1	
11	801301588	绳夹 10KT Cable clamp	1	GB/T5976-1986
12	821532948	钢丝绳 Steel cable	49m	9.3NAT-18X7+FC-1870-ZS
13	358900226	吊钩 Hook	1	



350200361 吊臂总成 Boom assembly





350200361 吊臂总成 Boom assembly

序号 No.	物料代码 Part number	名称 Part Name	推荐数量 Advised Q' ty	备注 Remark
1	350200230	基本臂 Base boom	1	
2	350200231	第一节伸缩臂 Telescopic boom I	1	
3	350200232	第二节伸缩臂 Telescopic boom II	1	
4	350200367	伸缩油缸 Telescopic cylinder	1	
5	805000008	螺栓 M6×12 Bolt	8	
6	805300030	垫圈 6 Cushion ring	12	
7	350200084	盖板 Cover board	1	
8	800513837	无油润滑轴 SF-1 Bearing	2	
9	805000322	螺栓 M6×16 Bolt	4	
10	350200083	盖板 Cover board	1	
11	350200014	销轴 Pin shaft	1	
12	805603901	开口销 4×40 End-opened pin	4	
13	805302848	挡圈 20 Check ring	4	
14	359400111	导向轮 Polot wheel	2	
15	350200015	销轴 Pin shaft	1	
16	805000714	螺栓 M10×20 Bolt	3	
17	805200048	螺母 M10 Nut	2	
18	350400364	指针 Needle	2	
19	350400365	套 Bush	2	
20	350200240	幅度牌 (右) Rang indicator	1	
21	350200239	幅度牌 (左) Rang indicator	1	
22	805502345	铆钉 2.5×6 Rivet	8	
23	350200017	销轴 Pin shaft	1	
24	359400166	支撑块 Support block	4	
25	350200246	滑块 Slide pad	1	
26	350200247	滑块 Slide pad	1	
27	805100101	内六角螺钉 M8×12 Screw	6	
28	801100336	油杯 M10×1 Oil cup	5	
29	805104032	螺钉 M10×40 Screw	4	
30	805200065	六角薄螺母 M10 Thin nut	4	
31	805100309	内六角螺钉 M6×16 Screw	4	
32	805302747	垫圈 6 Cushion ring	4	
33	350200245	滑块 Side pad	2	
34	805400035	孔用弹性垫圈 50 Check ring	4	
35	350200086	盖板 Cover board	2	
36	350200002	销轴 Pin shaft	2	

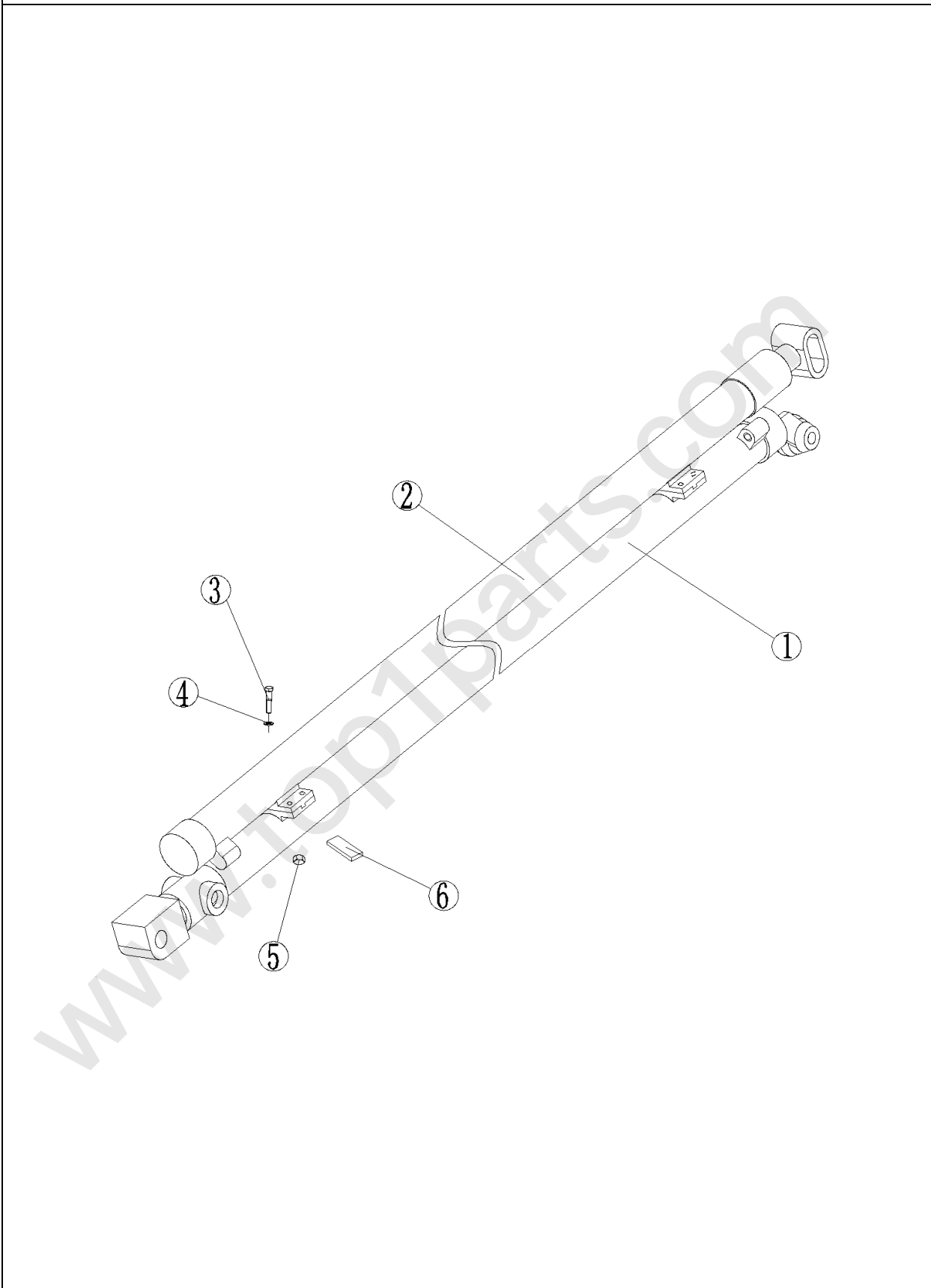


350200361 吊臂总成 Boom assembly

序号 No.	物料代码 Part number	名称 Part Name	推荐数量 Advised Q'ty	备注 Remark
37	350200248	滚筒 Rotary drum	1	
38	350200018	销轴 Pin shaft	1	
39	350200757	销轴 Pin shaft	1	
40	350200756	滚筒 Rotary drum	1	
41	350200244	滑块 Slide pad	2	
42	350200243	滑块 Slide pad	1	
43	350200016	销轴 Pin shaft	1	
44	805600122	开口销 4×30 End-open pin	4	
45	805302843	垫圈 10 Cushion ring	4	
46	350200364	绳挡 Rope ward	2	
47	350200010	销轴 Pin shaft	1	
48	350200363	楔套 Wedge bush	1	
49	350200362	楔 Wedge	1	
50	805600127	开口销 4×50 End-opened pin	1	
51	350200085	盖板 Cover board	1	
52	350200013	销轴 Pin shaft	1	
53	350200042	挡板 Baffle	1	
54	350200011	隔套 Separate bush	2	
55	800513882	轴承 6206-Z Bearing	4	
56	805400044	孔用挡圈 62 Check ring	4	
57	350200249	滑轮 Pulley	2	
58	350200012	隔套 Separate bush	1	
59	805300014	垫圈 10 Cushion ring	1	
60	350200029	销轴 Pin Shaft	1	
61	359400021	卡板 Clip board	1	



350200367 伸缩油缸装配 Telescopic cylinder assembly



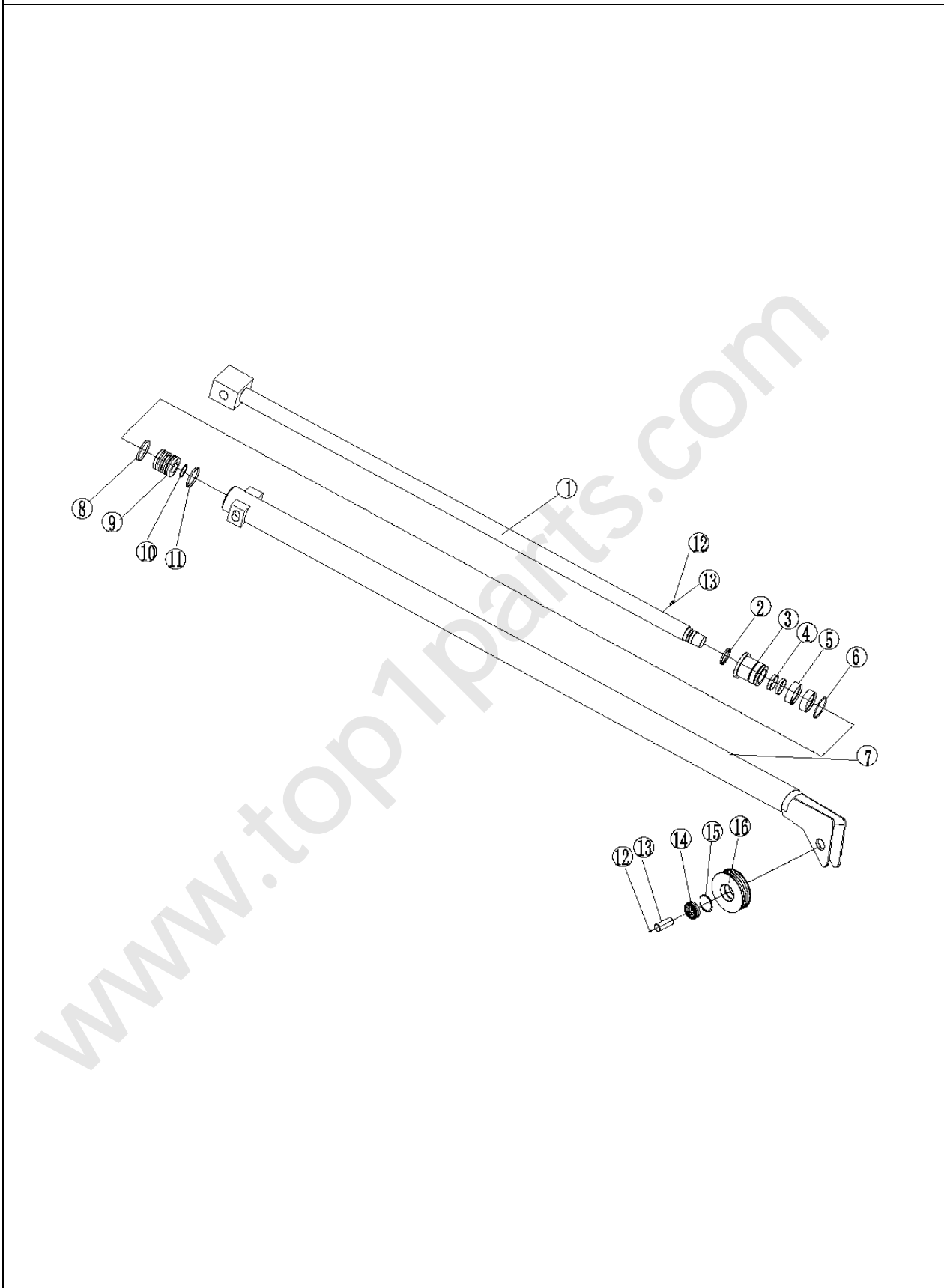


350200367 伸缩油缸装配 Telescopic cylinder

序号 No.	物料代码 Part number	名称 Part Name	推荐数量 Advised Q' ty	备注 Remark
1	——	伸缩油 I Telescopic cylinder I	1	
2	——	伸缩油缸 II Telescopic cylinder II	1	
3	805003924	螺栓 M12×1.5×35 Bolt	8	
4	805338234	弹垫 M12×1.5 Spring cushion	8	
5	805103512	螺母 M12 Nut	8	
6	700217414	方钢 8×110 Square steel	2	



伸缩油缸 I Telescopic cylinder I



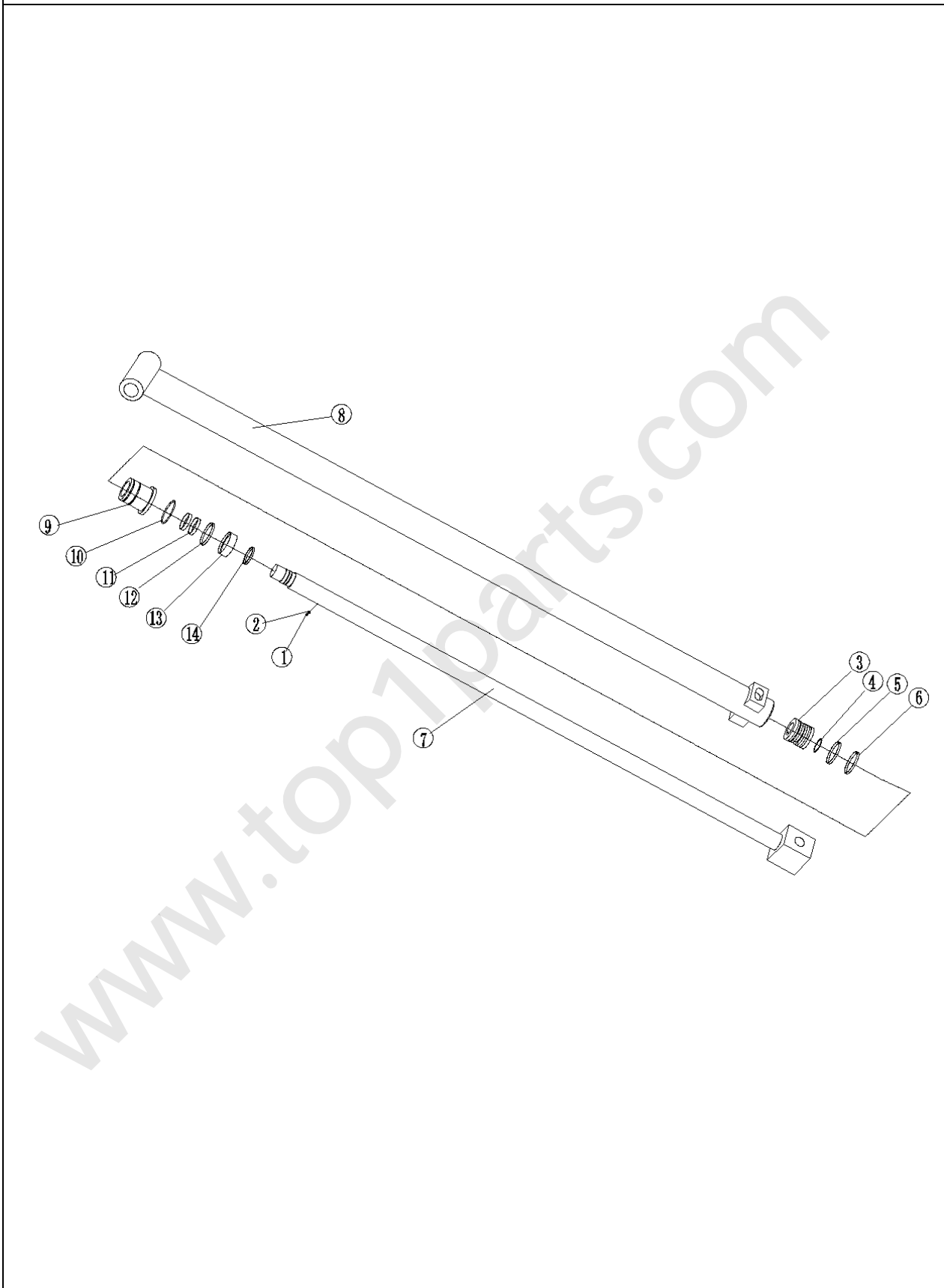


伸缩油缸 I Telescopic cylinder I

序号 No.	物料代码 Part number	名称 Part Name	推荐数量 Advised Q' ty	备注 Remark
1	——	活塞杆 Piston pole	1	
2	——	防尘圈 d45×53×6.5 Dustproof ring	1	
3	——	缸盖 Cylinder cover	1	
4	——	轴用支承环 d45×9.4×2.5 Support ring	2	
5	——	轴封 d45×55×6 Seal for shaft	2	
6	——	O 型圈 63×5.7 O-ring	1	
7	——	缸体 Cylinder	1	
8	——	隔套 Separate bush	1	
9	——	活塞 Piston	1	
10	——	O 型圈 30×3.1 O-ring	1	
11	——	孔封 Seal for hole	1 组	
12	——	长圆柱端紧定螺钉 35 Screw	1	
13	——	螺母 M30×2 Nut	1	
14	——	油嘴 M6×1 Oil nipple	1	
15	——	销轴 Pin shaft	1	
16	——	铜被轴承 $\phi 20 \times \phi 23-30$ Bearing	1	
17	——	轴用弹挡 d20 Check ring	1	
18	——	滑轮 Pulley	1	



伸缩油缸 II Telescopic cylinder II



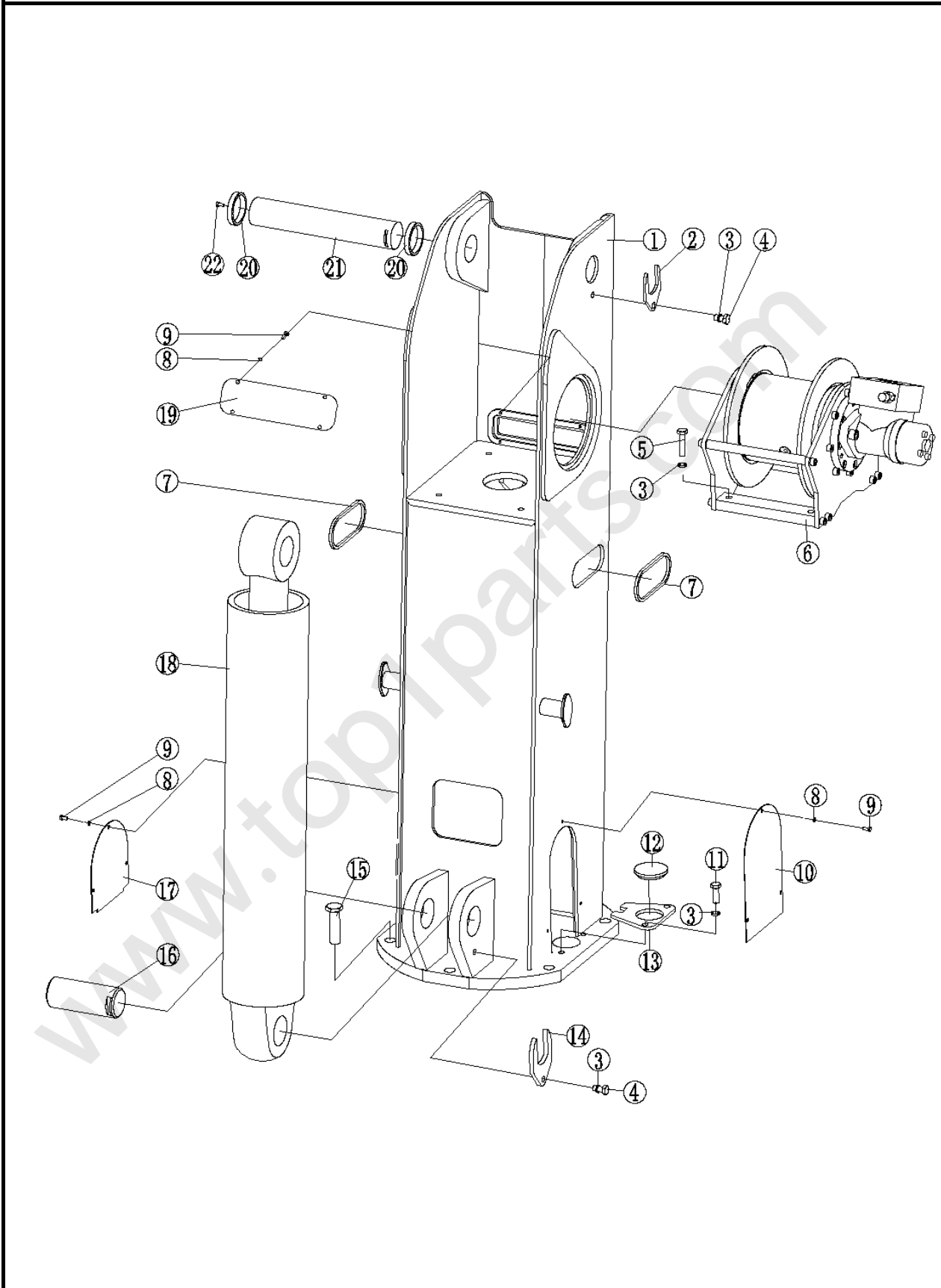


伸缩油缸 II Telescopic cylinder II

序号 No.	物料代码 Part number	名称 Part Name	推荐数量 Advised Q' ty	备注 Remark
1	——	长圆柱端紧定螺钉 Tightness screw	1	
2	——	螺母 M30×2 厚 25 Nut	1	
3	——	活塞 Piston	1	
4	——	O 型圈 30×3.1 O-ring	1	
5	——	孔封 D55×39-18.4 Seal for hole	1 组	
6	——	隔套 Separate bush	1	
7	——	活塞杆 Piston pole	1	
8	——	缸体 Cylinder	1	
9	——	缸盖 Cylinder cover	1	
10	——	O 形圈 63×5.7 O-ring	1	
11	——	轴用支承环 d45×9.4×2.5 Support ring	1	
12	——	斯特封 d45×4.2 Seal	1 组	
13	——	轴封 d45×55×6 Seal for shaft	1	
14	——	防尘圈 d45×53×5/6.5 Dustproof ring	1	



350200497 转台总成 Column



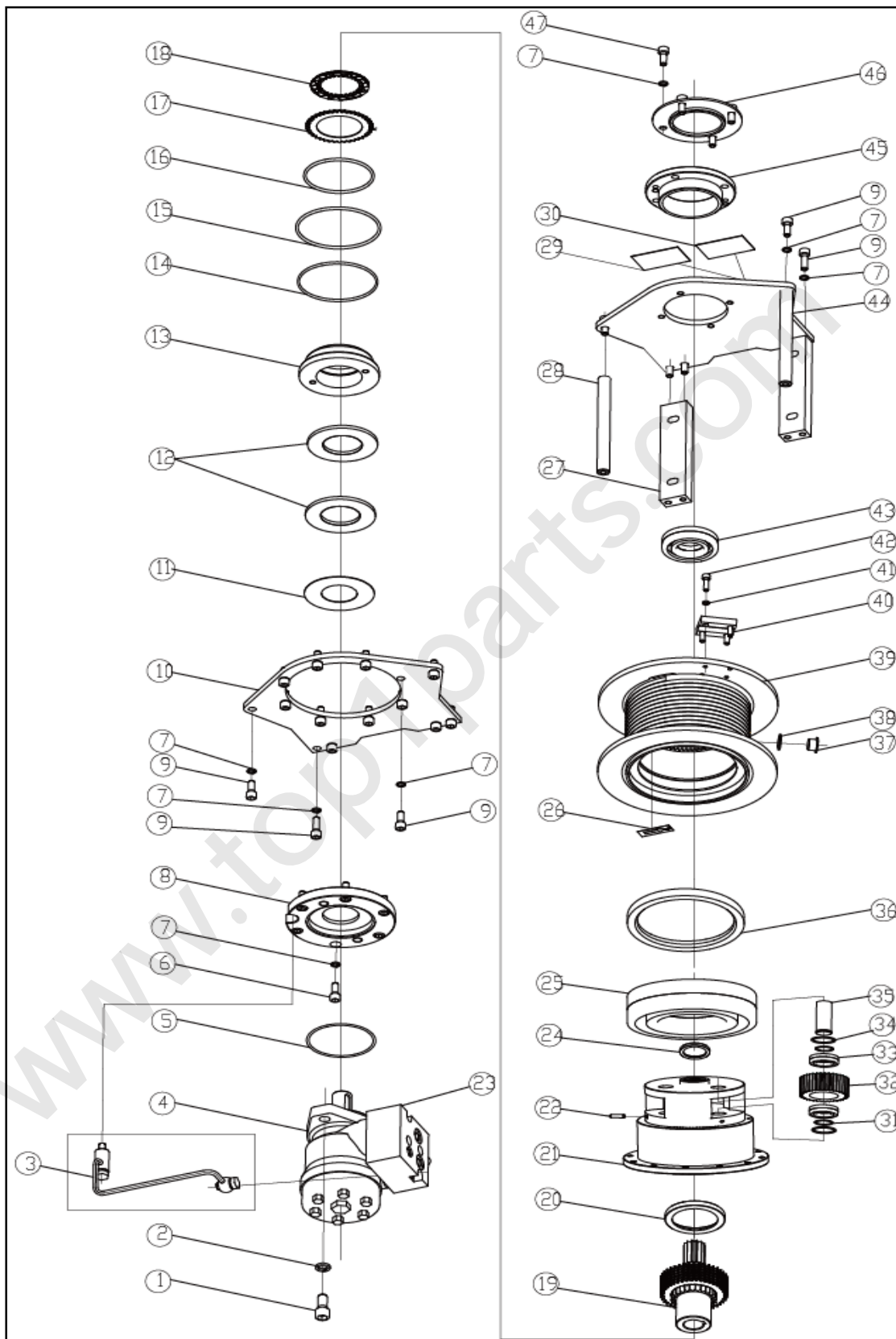


350200497 转台总成 Column

序号 No.	物料代码 Part number	名称 Part Name	推荐数量 Advised Q' ty	备注 Remark
1	350200497	转台 Column	1	
2	359400020	卡板 Clip board	1	
3	805300014	垫圈 10 Cushion ring	8	
4	805000714	螺栓 M10×20 Bolt	2	
5	805005193	螺栓 M10×45 Bolt	4	
6	358001683	液压绞车 Hydraulic winch	1	
7	350201018	护套 Bush	2	
8	805300109	垫圈 5 Cushion ring	10	
9	805000389	螺栓 M5×10 Bolt	10	
10	350200495	封板 Close board	1	
11	805103872	螺钉 M10×30 Screw	2	
12	359400092	盖子 Cover	1	
13	350200057	拨叉 Fork	1	
14	359400021	卡板 Clip board	1	
15	805004673	螺栓 M18×60 Bolt	10	
16	350200001	轴 Shaft	1	
17	350200496	封板 Close board	1	
18	350200359	变幅油缸 Derricking cylinder	1	
19	350200040	封板 Close board	1	
20	350200005	隔套 Separate bush	2	
21	350200004	轴 Shaft	1	
22	801100336	油杯 M10×1 Oil cup	1	



358001683 液压绞车 Hydraulic winch





358001683 液压绞车 Hydraulic winch

序号 No.	物料代码 Part number	名称 Part Name	推荐数量 Advised Q' ty	备注 Remark
1	805100115	螺钉 M12X25 Screw M12X25	2	GB/T70.1
2	805300018	垫圈 12 gasket 12	2	GB/T93
3	358000171	油管 Oil tube	1	
4	803007695	马达 Motor	1	OMR-125
5	803175015	O 形圈 82.22X2.62 o-ring 82.22X2.62	1	C92
6	805103995	螺钉 M8X15 Screw M8X15	6	GB/T70.1
7	805300010	垫圈 8 gasket 8	30	GB/T93
8	358001690	端盖 cover	1	
9	805100064	螺钉 M8X20 Screw M8X20	20	GB/T70.1
10	358001703	左侧板 Left side board	1	
11	358000073	调整垫 Adjustable cushion	1	
12	801702810	碟簧 90X46X3.5X6 Dish spring 90X46X3.5X6	2	GB/T1972
13	358001684	活塞 piston	1	
14	803175031	O 形圈 98X3 o-ring 98X3	1	EKM
15	803309621	组合封 D103X92X6 gasket D103X92X6	1	KGF10306NP3
16	803309622	组 合 封 D87.5X76.5X6 Gasket D87.5X76.5X6	1	KGF8706NP3
17	358001691	摩擦静片 Static slice	9	
18	358001693	摩擦动片 Dynamic slice	8	
19	358001685	太阳轮 Sun wheel	1	
20	358001700	挡板 baffle	1	
21	358001682	筒芯 Cylinder core	1	
22	805005415	螺钉 M6X15 Screw M6X15	3	GB/T79
23	803008122	平衡阀 Balance valve	1	CBPA-B-OMP-C1
24	358001699	摩擦垫 Friction cushion	1	
25	800552626	轴承 61822 Bearing 61822	1	GB/T276
26	358001704	标牌 label	1	
27	358001701	连接板 Connected board	2	
28	358001705	连杆 linker	2	
29	358001706	起升减速机标牌 label	1	
30	358001707	起升减速机标牌 label	1	
31	358001698	行星垫 Planet cushion	6	
32	358001696	行星轮 Planet wheel	3	
33	800513877	轴承 NA4903 Bearing NA4903	6	GB/T5801

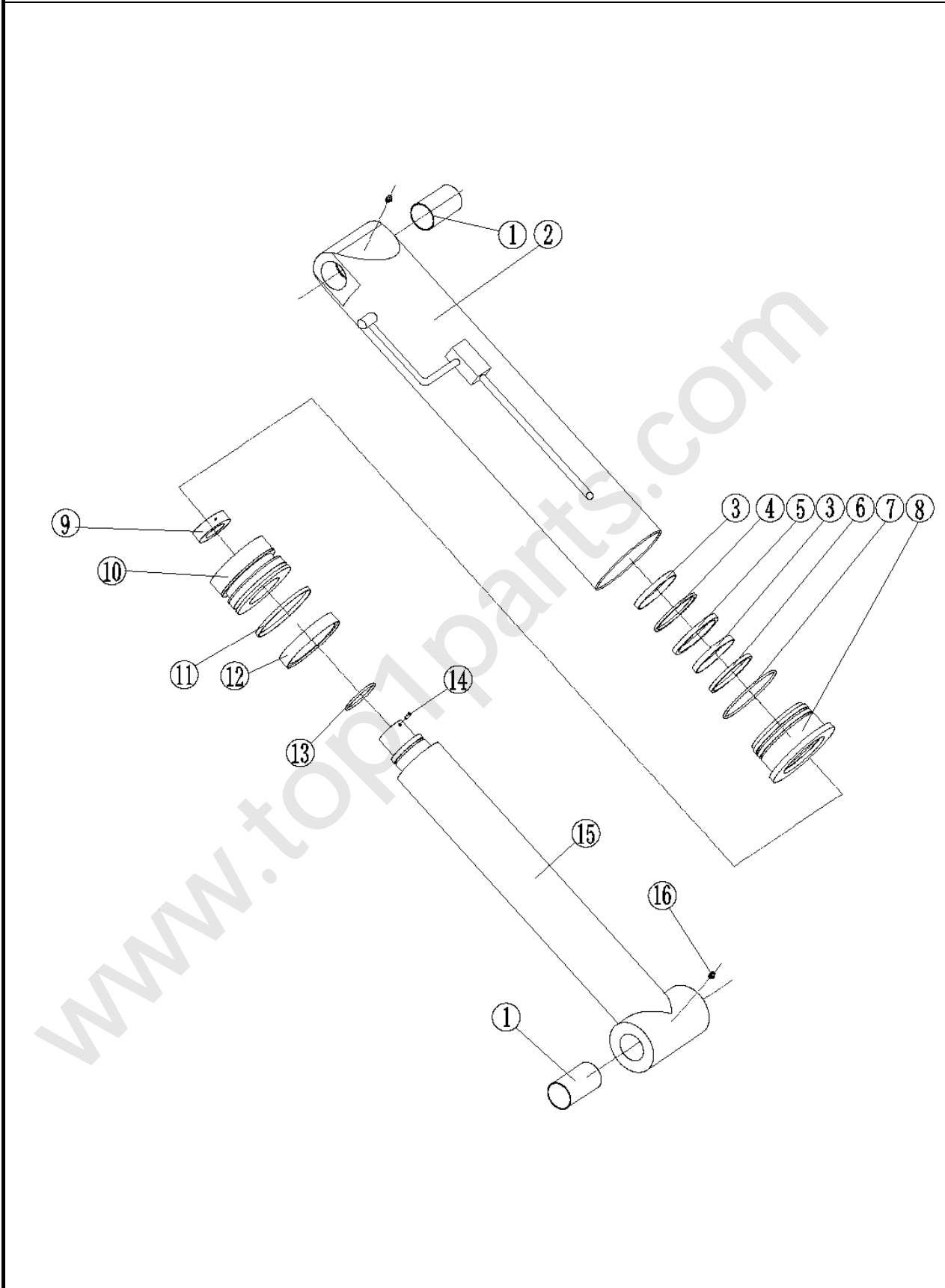


358001683 液压绞车 Hydraulic winch

序号 No.	物料代码 Part number	名称 Part Name	推荐数量 Advised Q' ty	备注 Remark
34	358001697	摩擦垫 Friction cushion	6	
35	358001694	行星轴 Planet shaft	3	
36	803175106	油封 125X150X12 oil seal 125X150X12	1	SN70-TC
37	803174310	螺塞 M16X1.5 Screw thread plug M16X1.5	3	JB/ZQ4444
38	805300026	组合密封 16 Gasket 16	3	JB/T982
39	358001687	筒体组件 cylinder	1	
40	358000243	压板 Press board	1	
41	805300030	垫圈 6 gasket 6	4	GB/T9
42	805100059	螺钉 M6X20 Screw M6X20	4	GB/T70.1
43	800500194	轴承 6207 Bearing 6207	1	GB/T276
44	358001702	右侧板 Right side board	1	
45	358000089	轴承盖 Bearing cover	1	
46	358000086	外端盖 End cover	1	
47	805000017	螺栓 M8X25 Bolt M8X25	4	GB/T5783



350200359 变幅油缸 Derricking cylinder



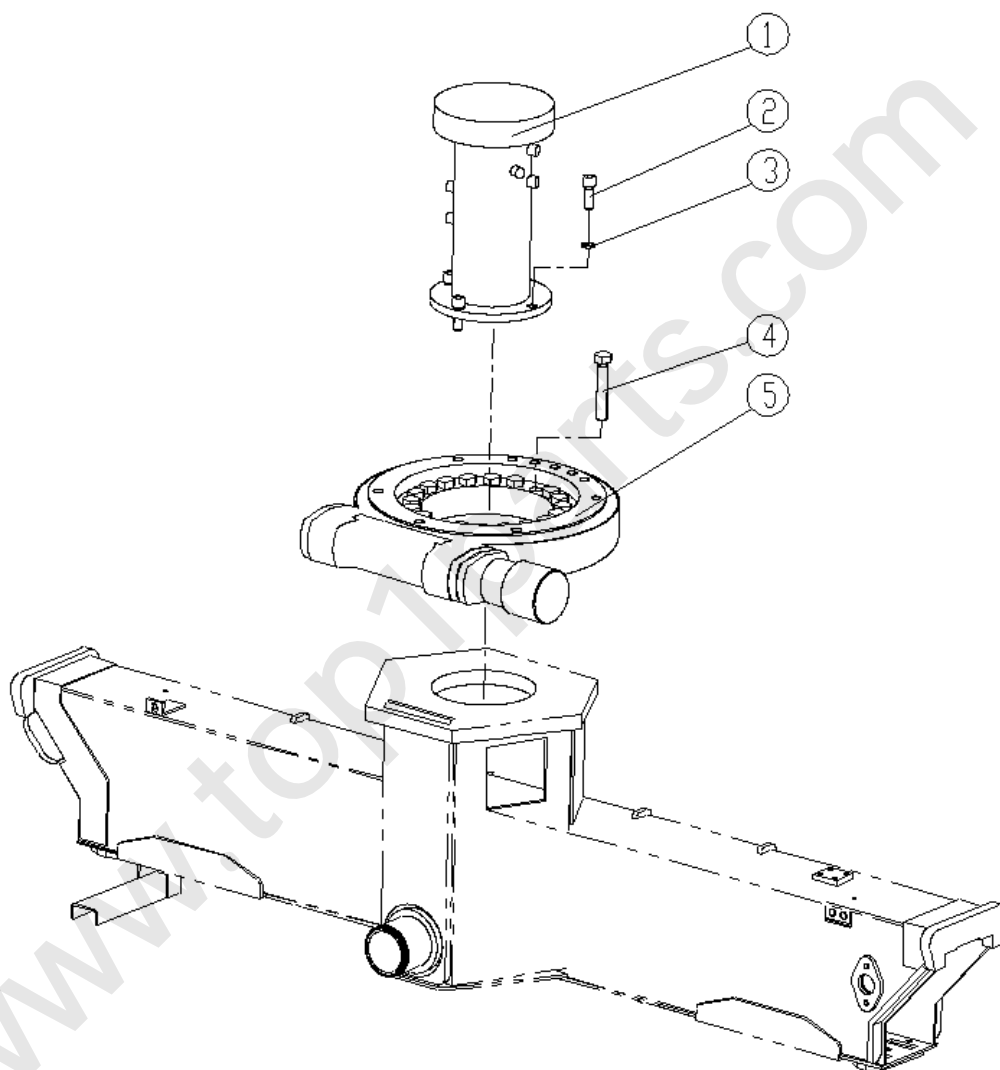


350200359 变幅油缸 Derricking cylinder

序号 No.	物料代码 Part number	名称 Part Name	推荐数量 Advised Q' ty	备注 Remark
1	——	钢背轴承 Bearing	2	
2	——	缸体 Cylinder	1	
3	——	轴用支撑环 Support ring	2	
4	——	组合密封 Assembled seal	1	
5	——	轴用密封圈 Sealed ring	1	
6	——	防尘圈 Dustproof ring	1	
7	——	O 型圈 O -ring	1	
8	——	缸盖 Cylinder cover	1	
9	——	螺母 Nut	1	
10	——	活塞 Piston	1	
11	——	孔用支撑环 Support ring	1	
12	——	组合密封 Assembled ring	1	
13	——	O 型圈 O -ring	1	
14	——	紧定螺钉 Tightness screw	1	
15	——	活塞杆 Piston pole	1	
16	——	油嘴 Oil nipple	2	



回转机构 Slewing





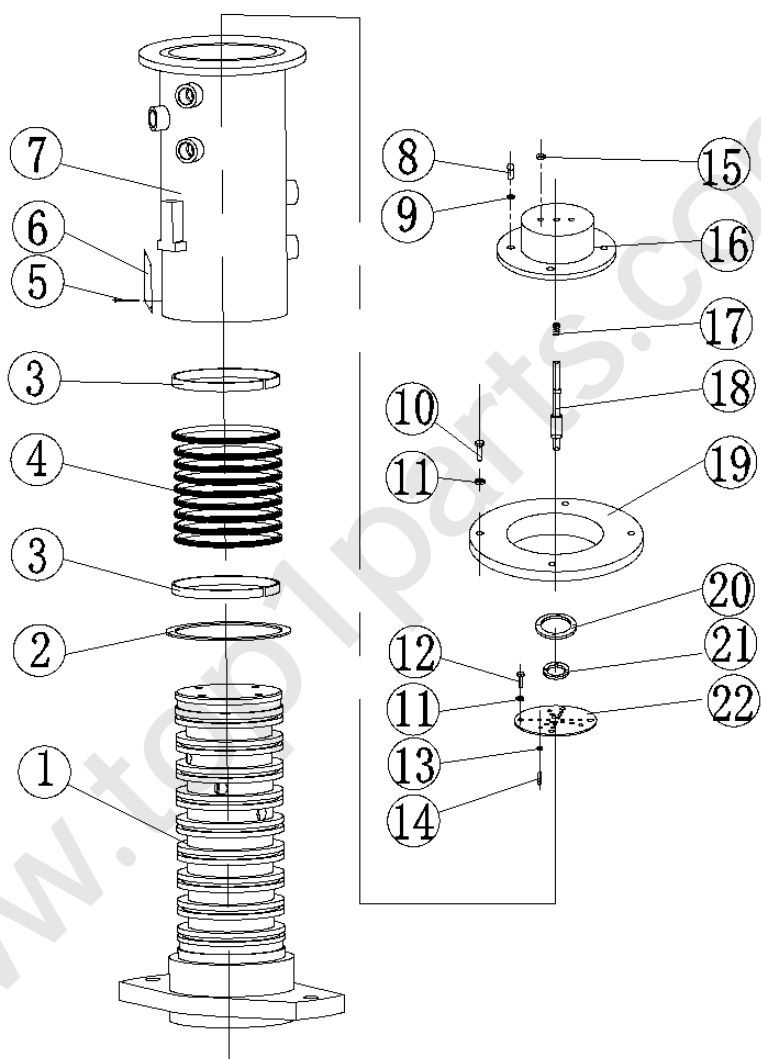
回转机构 Slewing

序号 No.	物料代码 Part number	名称 Part Name	推荐数量 Advised Q' ty	备注 Remark
1	358200044	回转分配器 Slewing distributor	1	
2	805000013	螺栓 M16×35 Bolt	4	
3	805300011	垫圈 16 Cushion ring	4	
4	805004559	螺栓 M20×110 Bolt	19	
5	800306024	回转机构 HZ335B Revolving gear	1	

www.top1parts.com



358200044 回转分配器 Slewing distributor



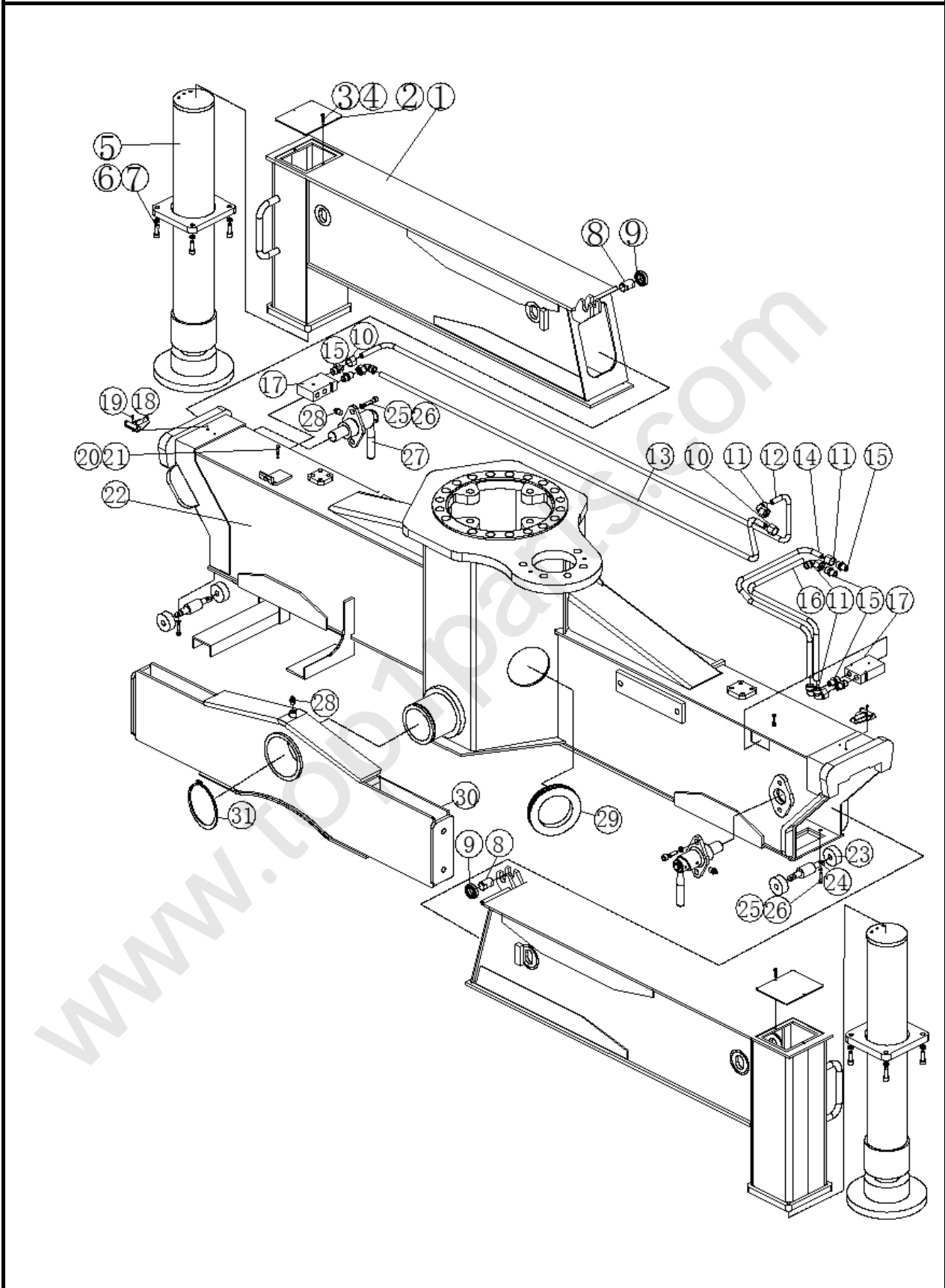


358200044 回转分配器 Slewing distributor

序号 No.	物料代码 Part number	名称 Part Name	推荐数量 Advised Q' ty	备注 Remark
1	358200341	芯轴 Core shaft	1	
2	358200045	耐磨垫 I Wearable cushion	1	
3	803175084	导向环 Pilot ring	2	
4	803175148	旋转密封 Rotary seal	9	
5	358200048	回转分配器标牌 Scutcheon	1	
6	358200342	分配体 Cylinder	1	
7	805000137	螺栓 M8×40 Bolt	4	
8	805302783	弹性垫圈 8 Spring cushion	8	
9	805100154	螺栓 M8×30 Bolt	4	
10	358200015	盖板 Cover board	1	
11	358200014	过渡套 Bush	1	
12	358200047	压板 Press board	1	



350200503 机座体总成 Pedestal



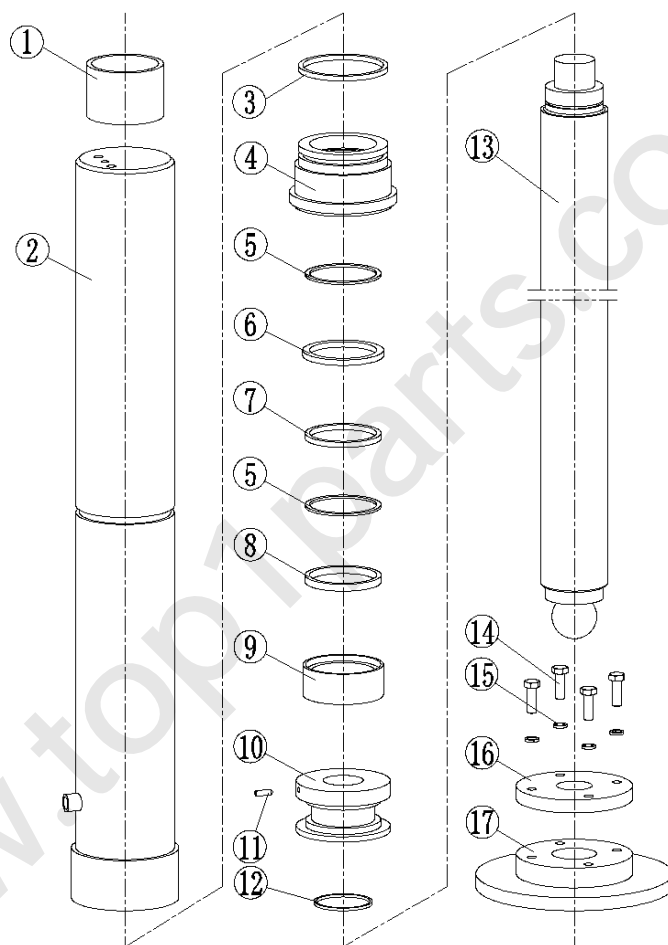


350200503 机座体总成 Pedestal

序号 No.	物料代码 Part number	名称 Part Name	推荐数量 Advised Q' ty	备注 Remark
1	350200384	活动支腿 Active leg	2	
2	350200056	盖板 Cover board	2	
3	805000389	螺栓 M5×10 Bolt	4	
4	805300109	垫圈 5 Cushion ring	4	
5	350200511	支腿油缸 Leg cylinder	2	
6	805300014	垫圈 10 Cushion ring	8	
7	805103872	螺钉 M10×30 Screw	8	
8	350200006	轴 Shaft	2	
9	800513665	深沟球轴承 6304 Bearing	2	
10	803110396	螺母 M12LA3CX Nut	8	
11	803306135	卡套 PSR12L Chuck	8	
12	350200538	弯管 Bend tube	1	
13	350200539	弯管 Bend tube	1	
14	350200537	弯管 Bend tube	1	
15	803174460	直通接头 I12LG1/2ED Straight joint	8	
16	350200536	弯管 Bend tube	1	
17	350700114	接头块 Joint block	2	
18	803505158	水平仪 SS50 Gradienter	2	
19	805105473	螺钉 M4×8 Screw	4	
20	805103986	螺钉 M6×16 Screw	6	
21	805300030	垫圈 6 Cushion ring	6	
22	350200503	机座体 Pedestal	1	
23	351600194	滚轮 Idler wheel	4	
24	351600201	轴 Shaft	2	
25	805103986	螺钉 M6×16 Screw	6	
26	805300030	垫圈 6 Cushion ring	6	
27	359400179	锁紧总成 Lock	2	
28	801100336	油杯 M10×1 Oil cup	2	
29	359400885	护套 Bush	1	
30	350200229	支架焊接 Bracket weld	1	
31	805400043	挡圈 95 Check ring	1	



350200511 支腿油缸 Leg cylinder



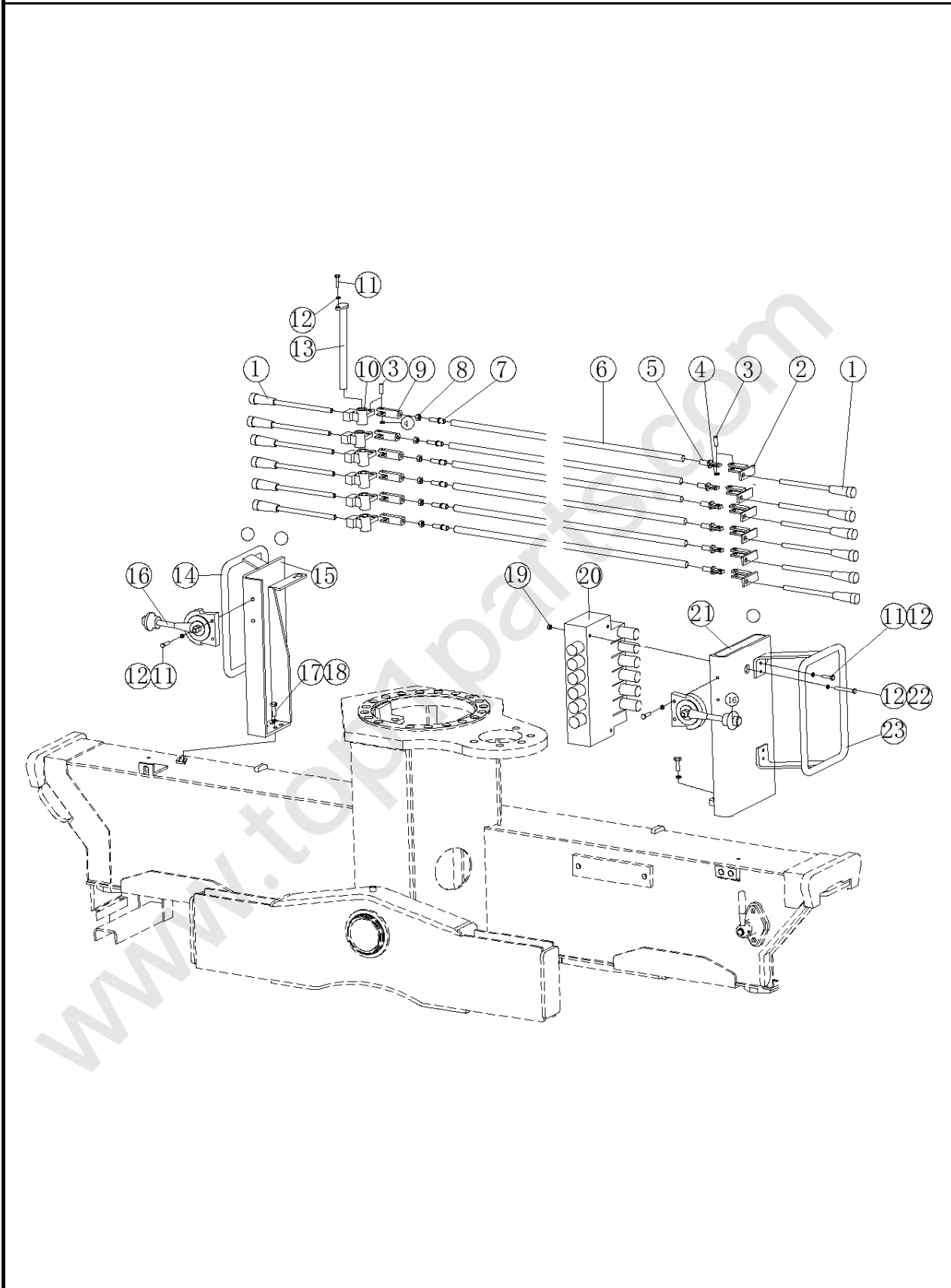


350200255 支腿油缸 Leg cylinder

序号 No.	物料代码 Part number	名称 Part Name	推荐数量 Advised Q' ty	备注 Remark
1	——	隔套 Separate ringer	1	
2	——	缸体 Cylinder	1	
3	——	O 型圈 O-ring	1	
4	——	导向套 Pilot ringer	1	
5	——	轴用支承环 Support ring	2	
6	——	组合封 Assembled seals	1	
7	——	轴用密封圈 Seals ring for shaft	1	
8	——	防尘圈 Dustproof ring	1 组	
9	——	组合封 Assembled seals	1	
10	——	活塞 Piston	1	
11	——	内六角紧定螺钉 Allen bolt	1	
12	——	O 型圈 O-ring	1	
13	——	活塞杆 Piston rod	4	
14	——	六角螺钉 Hexagon bolt	4	
15	——	弹簧垫圈 Spring ring	1	
16	——	盖板 Cover	1	
17	——	法兰座 Flange seat	1	



350200509 操纵系统 controls



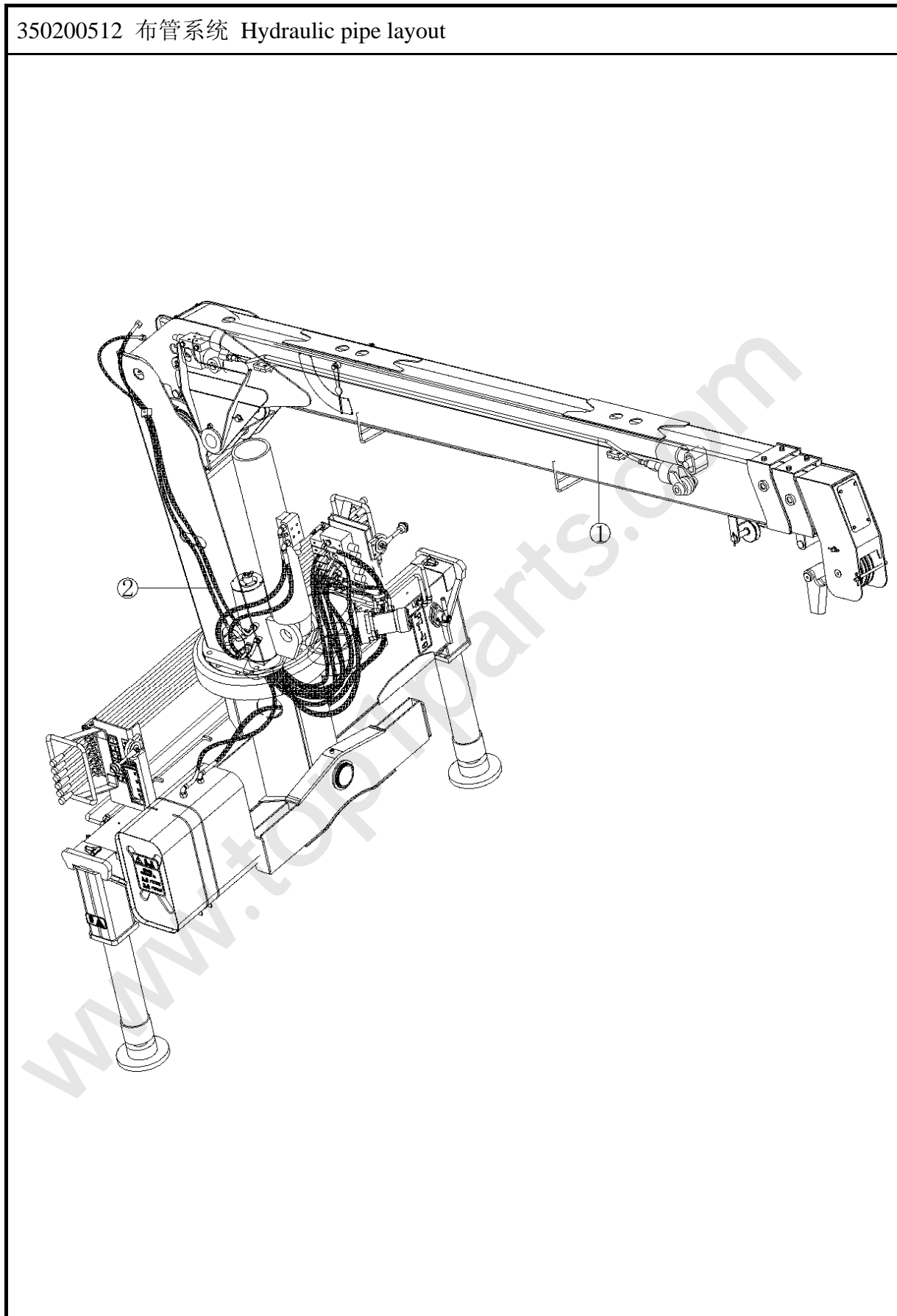


350200509 操纵系统 controls

序号 No.	物料代码 Part number	名称 Part Name	推荐数量 Advised Q' ty	备注 Remark
1	359400147	操纵手柄 Control handle	2	
	359400148		1	
	359400149		1	
	359400150		1	
	359400151		1	
	359400159		2	
	359400160		1	
	359400161		1	
	359400162		1	
	359400163		1	
2	359400118	拨叉 Fork	6	
3	359400133	销轴 Pin shaft	12	
4	805400032	轴用弹性挡圈 8 Check ring	12	
5	359400266	接头 Joint	6	
6	350200540	杆 Linker	6	
7	359400265	连接螺钉 Joint Screw	6	
8	805200045	螺母 M8 Nut	6	
9	359400264	接头 Joint	6	
10	359400100	拨叉 Fork	6	
11	805000008	螺栓 M6×25 Bolt	13	
12	805300030	弹垫 6 Cushion ring	16	
13	359400128	连接轴 Joint shaft	1	
14	350100001	左护栏 Left rail	1	
15	350100134	操纵架 Operation bracket	1	
16	800305966	软轴 Soft shaft	2	
17	805000018	螺钉 M8×25 Screw	8	
18	805300010	弹垫 8 Cushion ring	8	
19	805200053	螺母 M6 Nut	3	
20	803007878	多路阀 Multichannel valve	1	
21	350100166	阀架 Valve bracket	1	
22	805100089	螺栓 M6×70 Bolt	3	
23	350100002	右护栏 Right rail	1	



350200512 布管系统 Hydraulic pipe layout





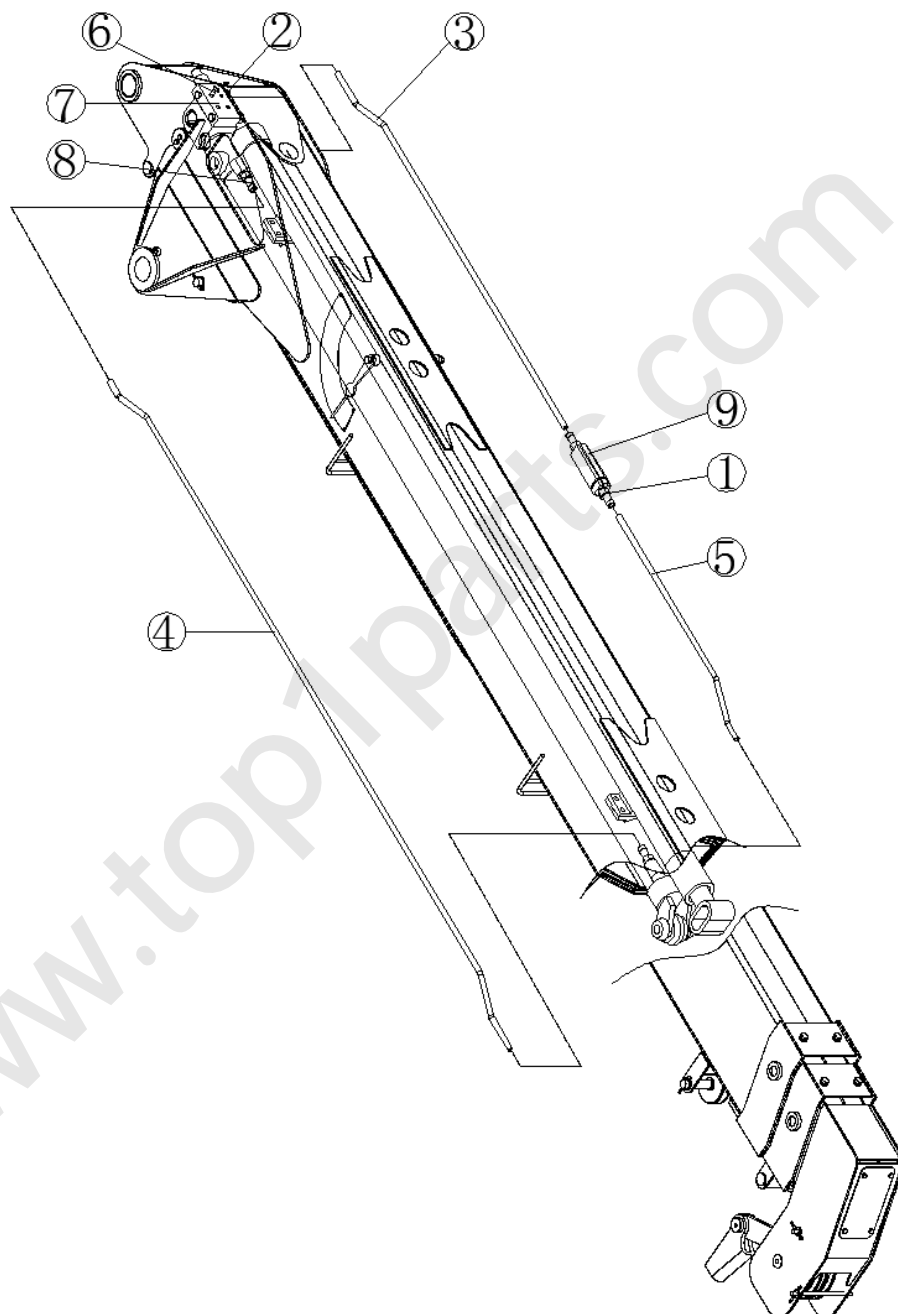
350200512 布管系统 Hydraulic pipe layout

序号 No.	物料代码 Part number	名称 Part Name	推荐数量 Advised Q' ty	备注 Remark
1	350200392	上车布管系统 Up hydraulic pipe layout	1	
2	350200513	下车布管系统 Down hydraulic pipe layout	1	

www.top1parts.com



350200392 上车布管系统 Up hydraulic pipe layout



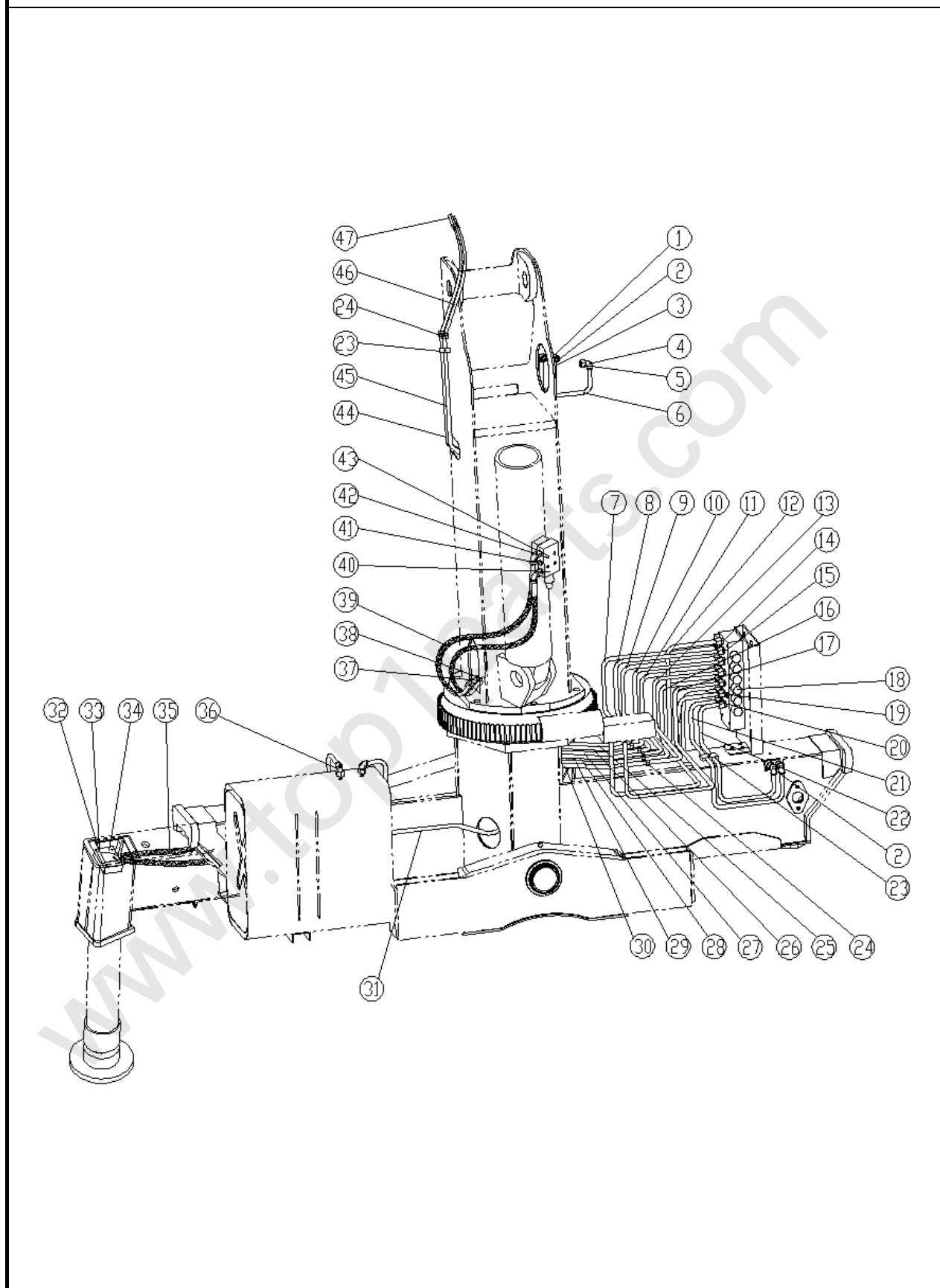


350200392 上车布管系统 Up hydraulic pipe layout

序号 No.	物料代码 Part number	名称 Part Name	推荐数量 Advised Q' ty	备注 Remark
1	803174460	直通接头 I12LG1/2ED Straight joint	2	
2	803174763	直通接头 I12LG3/8ED/75 Straight joint	2	
3	350200262	弯管 Bend tube	1	
4	350200263	弯管 Bend tube	1	
5	350200264	弯管 Bend tube	1	
6	805100048	螺钉 M8×45 Screw	4	
7	803007973	单向平衡阀 SPHBB50 Balance valve	1	
8	803167941	直通接头 I12LM16×1.5ED Straight joint	4	
9	803068201	顺序阀 OTS10100020505 Sequence valve	1	



350200513 下车布管系统 Down hydraulic pipe layout





350200513 下车布管系统 Down hydraulic pipe layout

序号 No.	物料代码 Part number	名称 Part Name	推荐数量 Advised Q' ty	备注 Remark
1	803174460	直通接头 I12LG1/2ED Straight joint	4	
2	803174525	直角组合接头 LH12L Right angle joint	6	
3	803183008	软管 N381HAQO121805-1300 Hose	2	
4	803174450	直通接头 I10LG1/4ED Straight joint	2	
5	803174524	直角组合接头 LH10L Right angle joint	2	
6	803175653	软管 N481HAQO101805-1250 Hose	1	
7	350200520	弯管 Bend tube	1	
8	350200522	弯管 Bend tube	1	
9	350200524	弯管 Bend tube	1	
10	350200526	弯管 Bend tube	1	
11	350200528	弯管 Bend tube	1	
12	350200533	弯管 Bend tube	1	
13	350200530	弯管 Bend tube	1	
14	803174471	直通接头 I15LG1/2ED Straight joint	1	
15	803174462	直通接头 I12LG3/8ED Straight joint	14	
16	350200535	弯管 Bend tube	1	
17	350200534	弯管 Bend tube	1	
18	803008052	六联多路阀 D(6)L10-6G-OOOYOO Bend tube	1	
19	350200538	弯管 Bend tube	1	
20	350200539	弯管 Bend tube	1	
21	350200537	弯管 Bend tube	1	
22	350200536	弯管 Bend tube	1	
23	359400104	管夹 Hose clip	2	
24	803174458	接头 I12L joint	12	
25	350200519	弯管 Bend tube	1	
26	350200521	弯管 Bend tube	1	
27	350200523	弯管 Bend tube	1	
28	350200525	弯管 Bend tube	1	
29	350200527	弯管 Bend tube	1	
30	350200529	弯管 Bend tube	1	



350200462 下车布管系统 Down hydraulic pipe layout

序号 No.	物料代码 Part number	名称 Part Name	推荐数量 Advised Q' ty	备注 Remark
31	803175235	软管 N481HAHA101005-1200 Hose	1	
32	805005193	螺栓 M10×45 Bolt	8	
33	805300014	垫圈 10 Cushion ring	8	
34	803008012	双向液压锁 SO-K8L-J7 Bidirectional hydraulic locking valve	1	
35	803175424	软管 N381HAHA121205-1800 Hose	4	
36	803174526	接头 LH15L joint	1	
37	803175155	组合垫 φ18 Cushion	14	
38	805103958	空心螺钉 M18×1.5×38 Bolt	7	
39	803176105	软管 N381HAHQ0121805-600 Hose	2	
40	803007973	单向平衡阀 SPHBB50 Balance valve	1	
41	803174381	油口堵塞 DTG3/8ED Plug	6	
42	805300010	垫圈 8 Cushion ring	8	
43	805100048	螺钉 M8×45 Screw	8	
44	350200517	弯管 Bend tube	1	
45	350200518	弯管 Bend tube	1	
46	803175212	软管 N381HAHA121205-800 Hose	2	
47	803174763	接头 I12LG3/8ED(加长 75) joint	2	



Handwriting practice area consisting of multiple horizontal dashed lines.

www.top1parts.com



www.top1parts.com