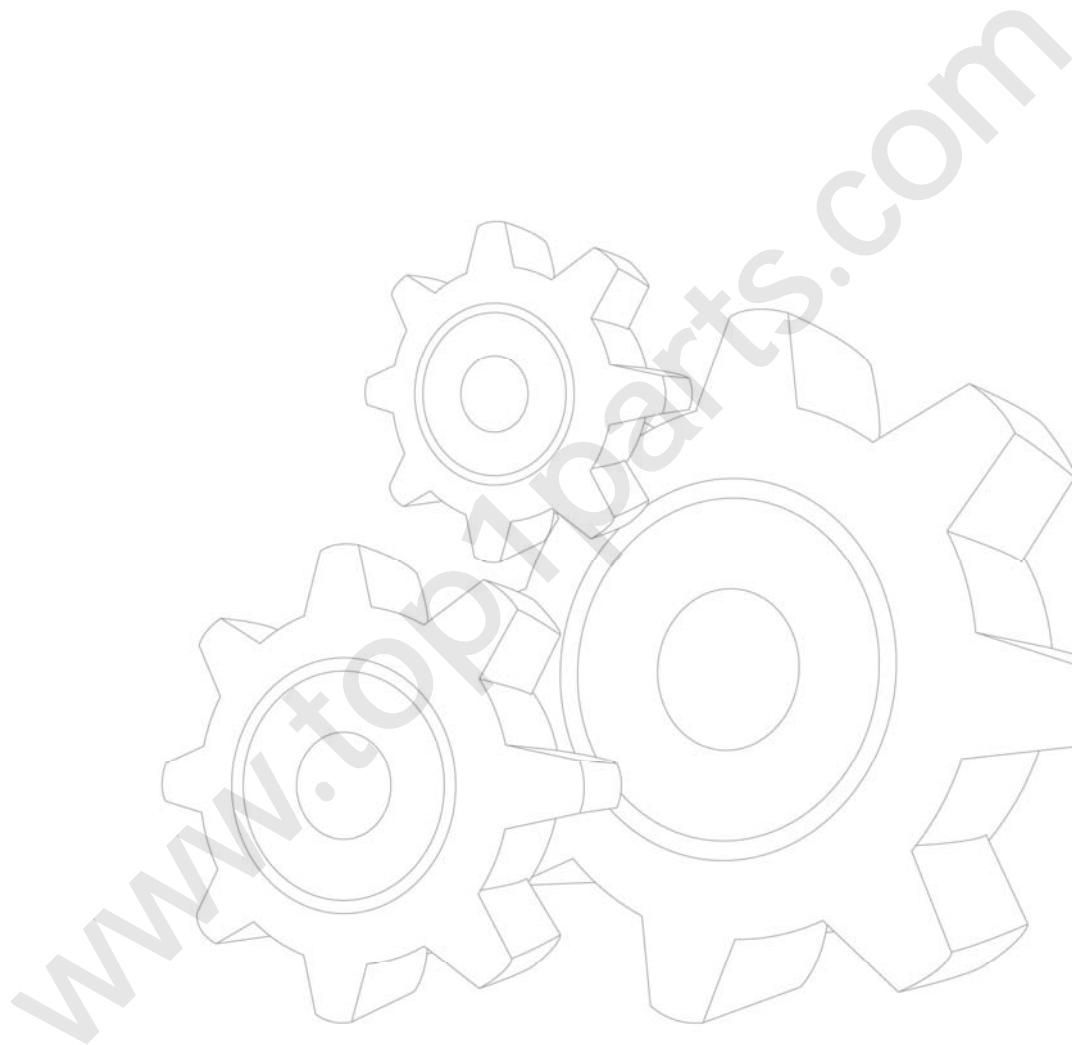




SQ6. 3SK3Q 随车起重机备件图册

SQ6. 3SK3Q Truck-mounted Crane SPARE PARTS CATALOGUE





目次 Contents

前言.....	I
Preface.....	II
350500619 SQ6.3SK3Q 随车起重机 Loader crane	1
350500620 吊臂总成 Boom assembly	3
基本臂装配 Basic boom assembly	5
第一节伸缩臂装配 Boom I extension assembly	7
第二节伸缩臂装配 Boom II extension assembly.....	9
第三节伸缩臂装配 Boom III extension assembly	11
350500662 伸缩油缸装配 Extension cylinder assembly.....	13
350400208 伸缩油缸 Extension cylinder assembly	15
伸缩臂绳索装配 Boom extension rope assembly.....	17
350500540 回转机座总成 Slewing base	19
转台总成 Column.....	21
350500297 变幅油缸 Derricking cylinder.....	23
358000449 液压绞车 Hydraulic winch	25
机座体总成 base.....	28
358200044 回转分配器 Slewing distributor	30
358100168 回转减速机 Slewing reducer	32
350400457 活动腿总成 Stabilizer extension.....	35
350500189 水平支腿油缸 Leg cylinder.....	37
350400191 支腿油缸 Leg cylinder.....	39
350400469 操作系统 controls.....	41
351700247 液压油箱总成 hydraulic oil tank.....	43
350401018 液压系统布管图 Hydraulic system layout.....	45
总页数.....	52



前言

衷心感谢您对徐工品牌的信赖和认可并使用徐工生产的 SQ6.3SK3Q 随车起重机。

本图册提供了“产品名称”列为备件的结构及装配关系，旨在方便备件工程师和用户对起重机更好的维修和保养。本图册应配合产品使用说明书共同使用，请您严格按照备件图册进行操作、维护，使“产品名称”处于最佳工作状态。

为方便用户备件检索，本图册已将“产品名称”的大型结构件及整体采购件拆分至最小可维修单元，在分解图后附有明细表与所示零件一一对应。其中“产品名称(物料编码)”等无拆分单元，因此本图册未对其进行详尽的分析说明。

另外，本图册未涉及 SQ6.3SK3Q 随车起重机内容，相关内容请参阅 SQ6.3SK3Q 随车起重机图册。

本备件图册及其它随车技术文件是“产品名称”的组成部分，请在产品寿命期内随车妥善保存，共同作为您使用该“产品名称”的必须依据。

我公司保留随技术改进而不断修订《备件图册》内容的权利，如有变更，恕不另行通知，望各位用户予以理解。

2012 年 11 月第 1 版



Preface

Firstly, thank you for selecting SQ6.3SK3Q Truck-mounted Crane designed and manufactured by XCMG.

The aim of supplying the catalogue is to facilitate maintenance and service to the SQ6.3SK3Q Truck-mounted Crane. It should be used together with operation manual and maintenance manual. Please strictly follow the instructions in operation manual and maintenance manual for operation and maintenance.

There are details for assembly of parts in it. Which large structural parts and integrated parts are disassembled into minor maintenance units. There is a list following each detail for user looking up spare parts. Please refer to carrier spare parts catalogue for contents involved with carrier spare parts.

The manual is an integral part of SQ6.3SK3Q Truck-mounted Crane. Please keep them handy in the driver's or operator's cab with the supplied technical documents and operate the machine according to instruction in them.

We reserve the right to modify the catalogue for improvement without notice.

Xuzhou Truck-mounted Crane Co.Ltd

Add: No. 55, Tuolanshan Road, Xuzhou City, Jiangsu Province, China

Tel: +86-516-4001109999

Fax: +86-516-4001109999

Post Code: 221004

Service Tel: +86-516-83466826

: +86-516-83665573

: +86-516-87892984

Service Fax: +86-516-83466892

Quality Inquiry Tel: +86-516-4001109999

Spare parts Tel: +86-516-87892881

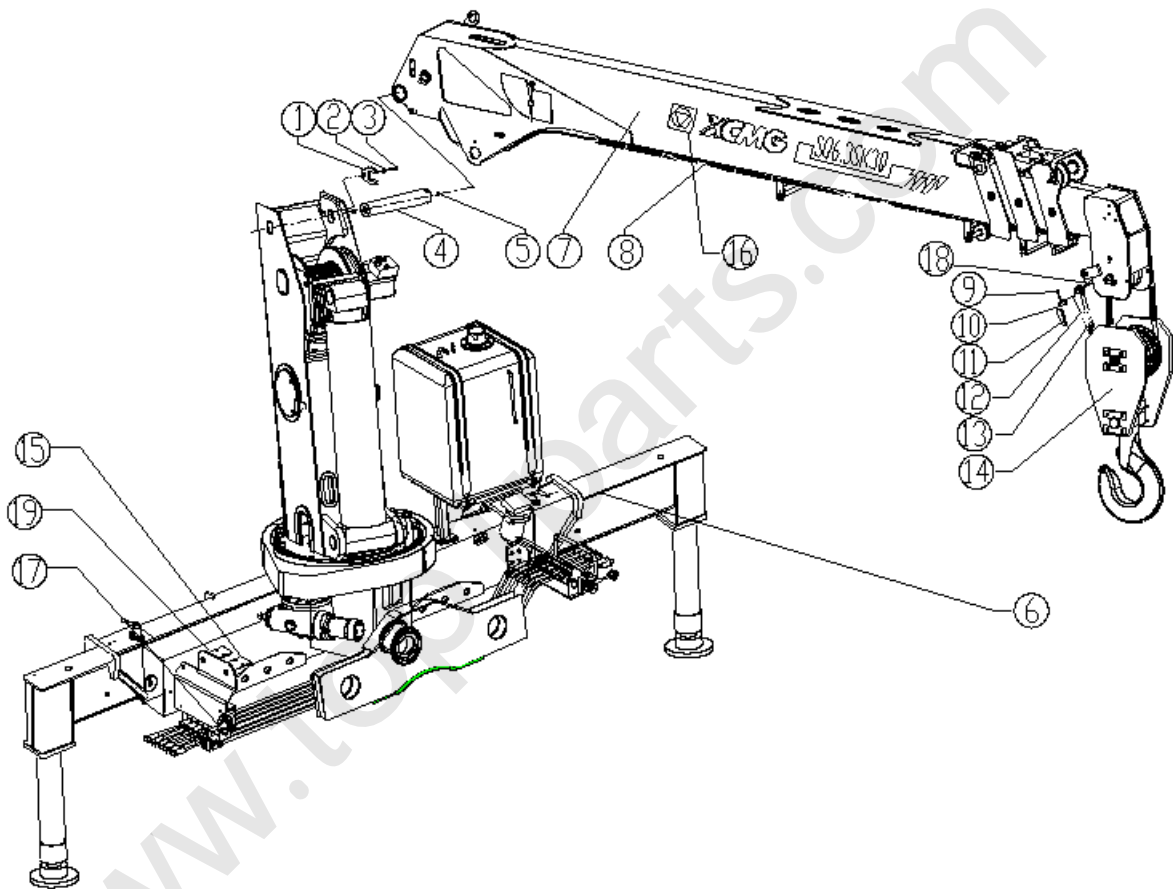
: +86-516-87892963

All rights reserved, Violators will surely be prosecuted

11/2012 First Editio



350500619 SQ6.3SK3Q 随车起重机 Loader crane



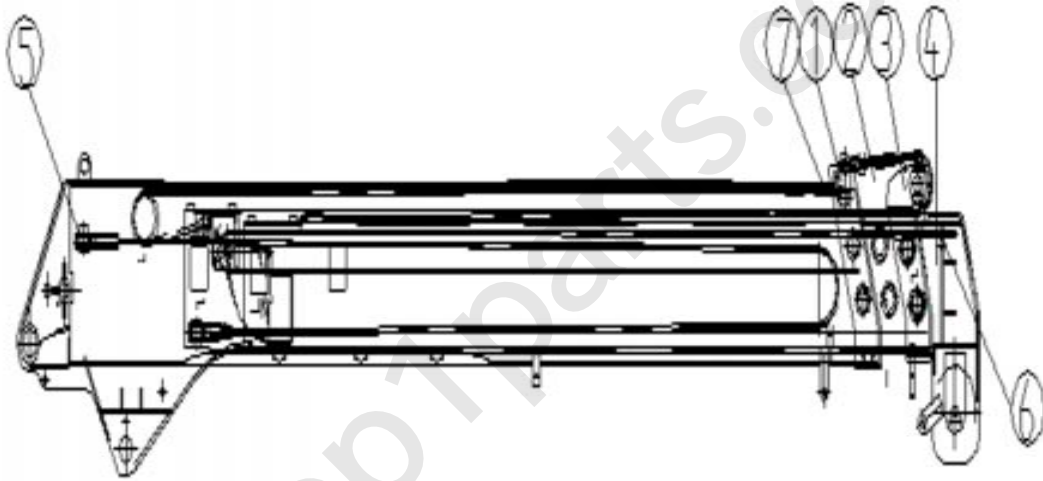


350500619 随车起重机 Loader crane

序号 No.	物料代码 Part Number	名称 Part Name	推荐数量 Advised Q'ty	备注 Remark
1	359400021	卡板 Board	1	
2	805300014	垫圈10 Cushion	1	
3	805000043	螺栓M10X30 Bolt	1	GB/T5783-2000
4	350400012	轴 Shaft	1	
5	801100336	油杯 Oil cup	2	
6	350500540	机座回转总成 Rotation platform	1	
7	350500620	吊臂总成 Jib assembly	1	
8	821532949	阻旋转钢丝绳 11NAT-18X7+FC-1870-ZS Rope	1	
9	805600027	开口销 Pin	1	
10	350400502	销轴 Pin shaft	1	
11	350400383	楔 Wedge	1	
12	350400382	楔套 Wedge cover	1	
13	805801088	钢丝绳夹12 Rope clamp	1	
14	358900003	吊钩总成 Hook assembly	1	
15	350500550	液压系统布管图 Hydraulic system tube	1	
16	350500240/350500241	标识总成 Id assembly	1	
17	800305966	软轴 WJ108×3000 Mild spindle	1	
18	350100579	无线高度限位装置装配 Higeness confine position device	1	
19	350802275	电气布线 Wiring diagram	1	



350500620 吊臂总成 Boom assembly





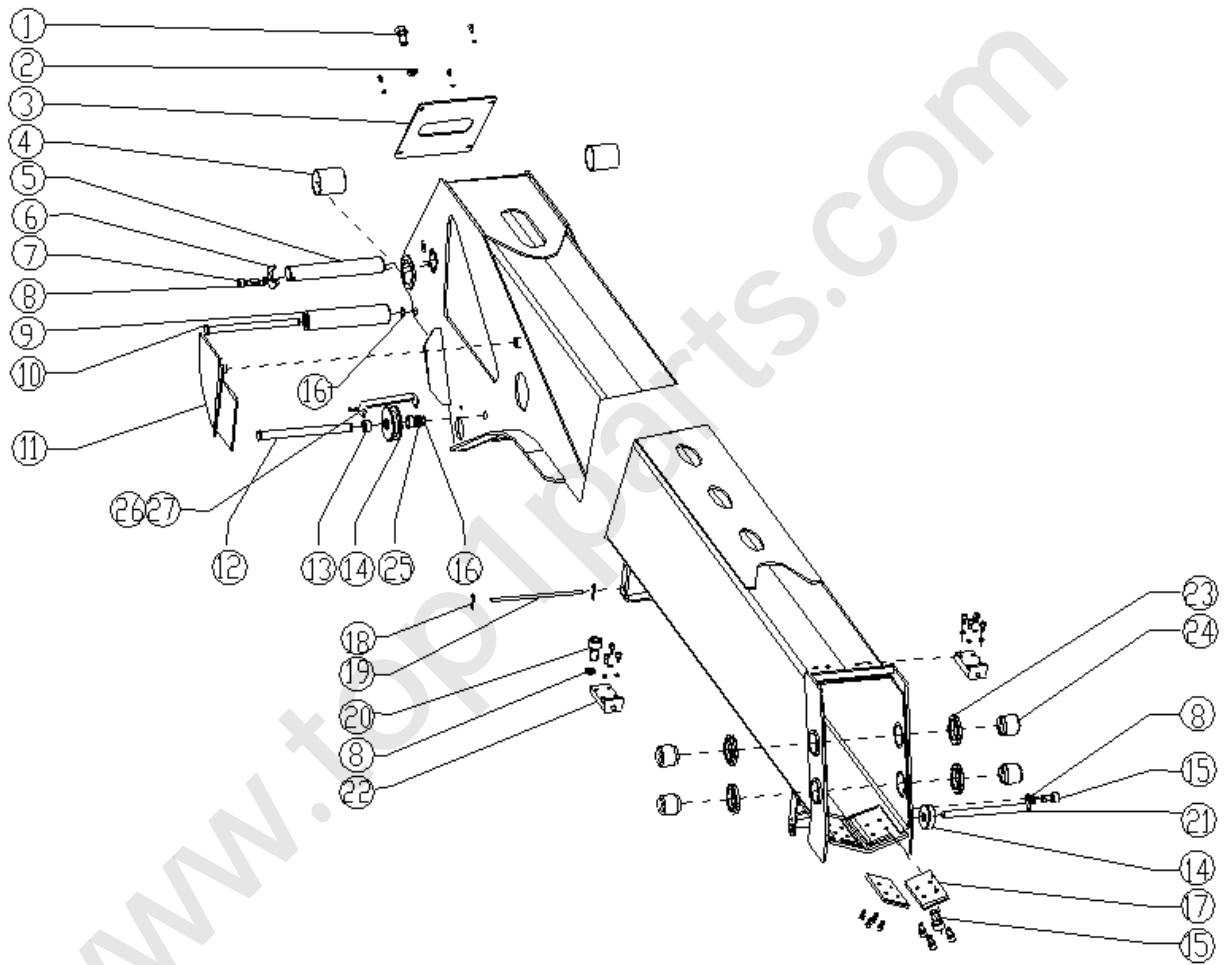
350500620 吊臂总成 Boom assembly

序号 No.	零部件代号 Part Code	名称 Part Name	推荐数量 Advised Q'ty	备注 Remark
1	350500621	基本臂 Basic boom	1	
2	350500630	一节伸臂 Telescopic boom I	1	
3	350500639	二节伸臂 Telescopic boom II	1	
4	350500650	三节伸臂 Telescopic boom III	1	
5	350500655	绳排 Rope	1	
6	350501031	细拉锁 Rope	1	
7	350500659	缩绳 Rope	2	

www.top1parts.com



基本臂装配 Basic boom assembly



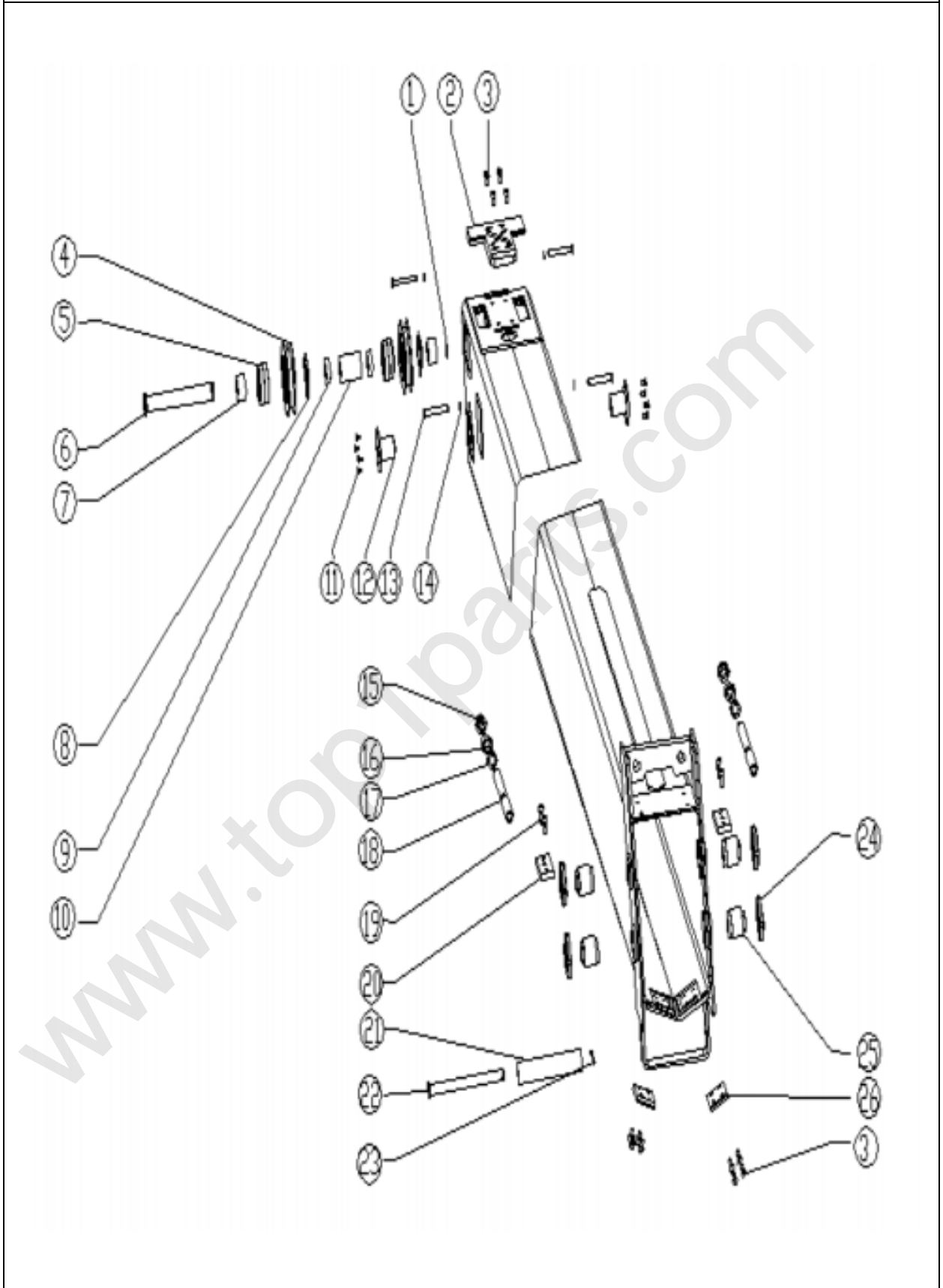


基本臂装配 Basic boom assembly

序号 No.	物料代码 Part Number	名称 Part Name	推荐数量 Advised Q' ty	备注 Remark
1	805100129	螺栓 M6×12 Bolt	4	GB/T70.1-2008
2	805300030	垫圈 6 Cushion	4	GB/T93-1987
3	350500093	后封板 Back cover board	1	
4	800513853	衬套 65×60×70 Bush	2	
5	350400020	轴 Shaft	1	
6	359400019	卡板 Lock board	1	
7	805103984	螺钉 M8×25 Screw	1	GB/T70.1-2008
8	805300010	垫圈 8 Cushion	10	GB/T93-1987
9	350501335	滚筒 shaft bush	1	
10	350500684	销轴 Pin shaft	1	
11	350500239	幅度指示器 Radius indicate	2	
12	350500684	销轴 Pin shaft	1	
13	350400001	尼龙套 Nylon bush	2	
14	350400200	导向轮 Guide pulley	1	
15	805100314	螺钉 M8×16 Screw	8	GB/T70.1-2008
16	805401263	挡圈 20 Check ring	2	GB/T894.1-1986
17	350500688	滑块 Slide	2	
18	805600127	销 4×50 Pin	2	GB/T91-2000
19	350500690	绳挡 Rope ward	1	
20	805100064	螺栓 M8×25 Bolt	8	GB/T5783-2000
21	350400231	销轴 Pin shaft	1	
22	350501033	连接块 Connect pad	2	
23	805201489	螺母M52×1.5 Nut	4	GB/T812-1988
24	350501091	支撑块 Support block	4	
25	350401911	尼龙套 Nylon bush	1	
26	350501668	绳挡 Rope ward	1	
27	805100309	螺钉 M6×16 Screw	4	GB/T70.1-2008



第一节伸缩臂装配 Boom I extension assembly



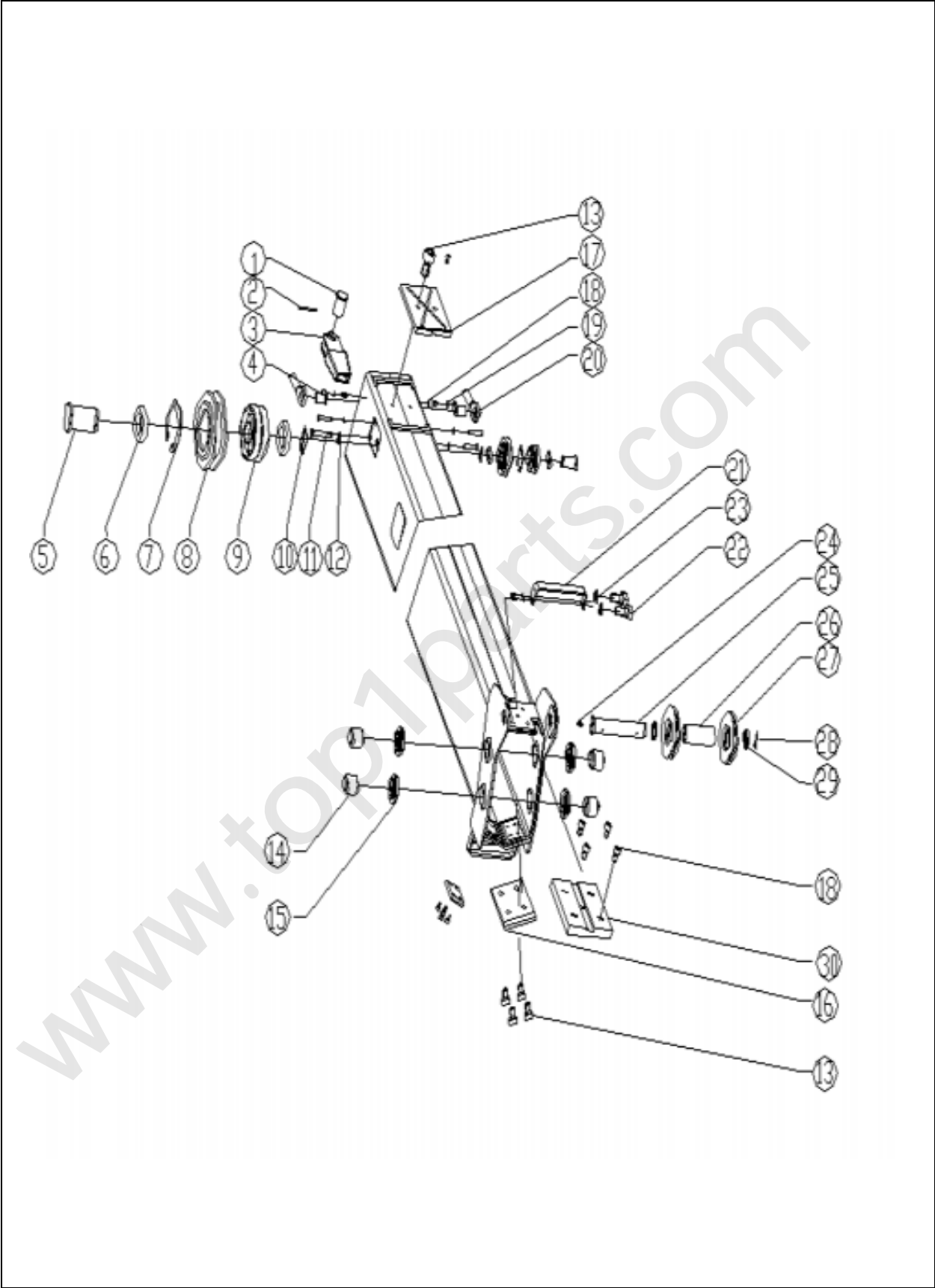


第一节伸缩臂装配 Boom I extension assembly

序号 No.	物料代码 Part Number	名称 Part Name	推荐数量 Advised Q' ty	备注 Remark
1	805400002	挡圈 30 Check ring	1	GB/T894.1-1986
2	350500661	滑块 Slip pad	2	
3	805100314	螺钉 M8×16 Screw	8	GB/T70.1-2008
4	350501089	滑轮 Pulley	2	
5	800513609	轴承 NUP206E Bearing	2	GB/T283-2007
6	350501090	销轴 Pin shaft	1	
7	350500685	轴套 Shaft bush	2	
8	805400020	挡圈 72 Check ring	2	GB/T893.1-1986
9	350500686	轴套 Shaft bush	2	
10	350501037	轴套 Shaft bush	1	
11	805104243	螺钉 M6×10 Screw	8	GB/T68-2000
12	350500017	销轴 Pin shaft	2	
13	350500689	挡绳轴 Shaft	4	
14	805400056	挡圈 10 Check ring	12	GB/T894.1-1986
15	805201504	螺母 Nut	2	
16	805200067	螺母 Nut	2	
17	805300033	垫圈 Cushion ring	2	
18	350501157	螺杆 Screw	12	
19	805100064	螺钉 M8×20 Screw	2	
20	350500168	滑块 Slip pad	1	
21	350500171	尼龙套 Nylon bush	1	
22	350500014	销轴 Pin shaft	1	
23	805600127	销 4×50 Pin	1	GB/T91-2000
24	805201489	螺母 M52×1.5 Nut	4	GB/T812-1988
25	350501091	支承块 Supporting pad	4	
26	350500688	滑块 Slip pad	2	



第二节伸缩臂装配 Boom II extension assembly



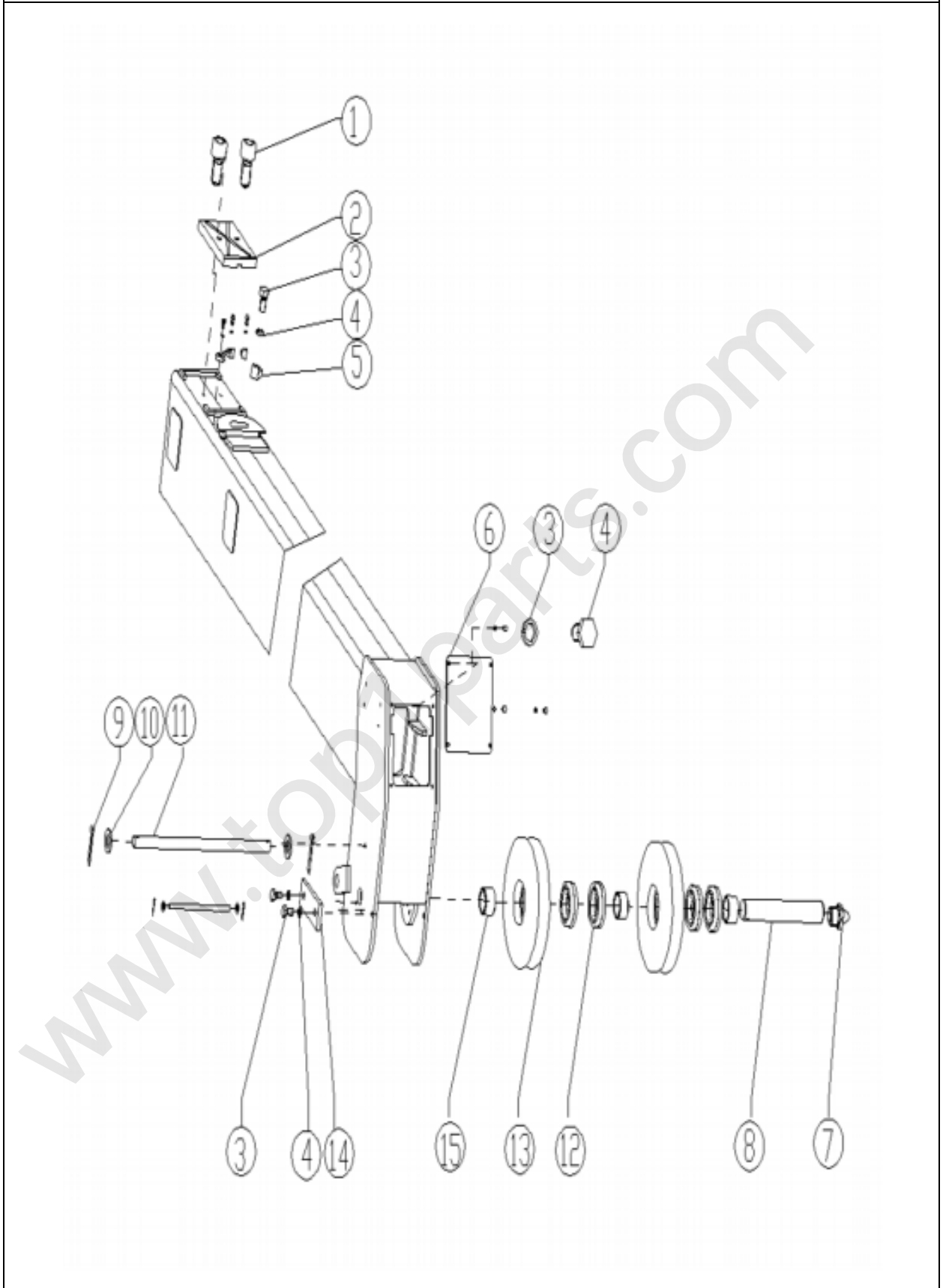


第二节伸缩臂装配 Boom II extension assembly

序号 No.	物料代码 Part Number	名称 Part Name	推荐数量 Advised Q' ty	备注 Remark
1	350500680	销轴 Pin shaft	1	
2	350500681	销子 Pin	1	
3	350500656	接头 Connect	1	
4	350500039	销轴 Pin shaft	2	
5	350501087	销轴 Pin shaft	2	
6	350501086	隔套 Seperate bush	4	
7	805400044	挡圈 62 Check ring	2	GB/T893.1-1986
8	350500683	滑轮 Pulley	2	
9	800513609	滚子轴承 NUP206E Bearing	2	GB/T283-2007
10	805400002	挡圈 30 Check ring	2	GB/T894.1-1986
11	350500682	挡绳轴 Shaft for rope ward	2	
12	805403640	挡圈 10 Check ring	4	GB/T894.1-1986
13	805100314	螺钉 M8×16 Screw	10	GB/T70.1-2008
14	350501091	支撑块 Support block	4	
15	805201489	螺母 M52×1.5 Nut	4	GB/T812-1988
16	350500687	滑块 Slide	2	
17	350500163	滑块 Slide	1	
18	805100064	螺栓 M8×25 Bolt	6	GB/T5783-2000
19	805300010	垫圈 8 Cushion	2	GB/T93-1987
20	350501157	螺杆 Screw bolt	2	
21	350500095	弯板 Board	1	
22	805000008	螺栓 M6×12 Blt	4	GB/T5783-2000
23	805300030	垫圈 6 Cushion	4	GB/T93-1987
24	801100336	油杯 M10×1 Oil cup	1	JB/T7940.1-1995
25	350500019	轴 Shaft	1	
26	350501233	轴套 Bush for shaft	1	
27	350500031	滑轮 Pulley	2	
28	805400016	挡圈 40 Check ring	1	GB/T894.1-1986
29	350500018	轴套 Bush for shaft	2	
30	350500169	滑块 Slide	1	



第三节伸缩臂装配 Boom III extension assembly



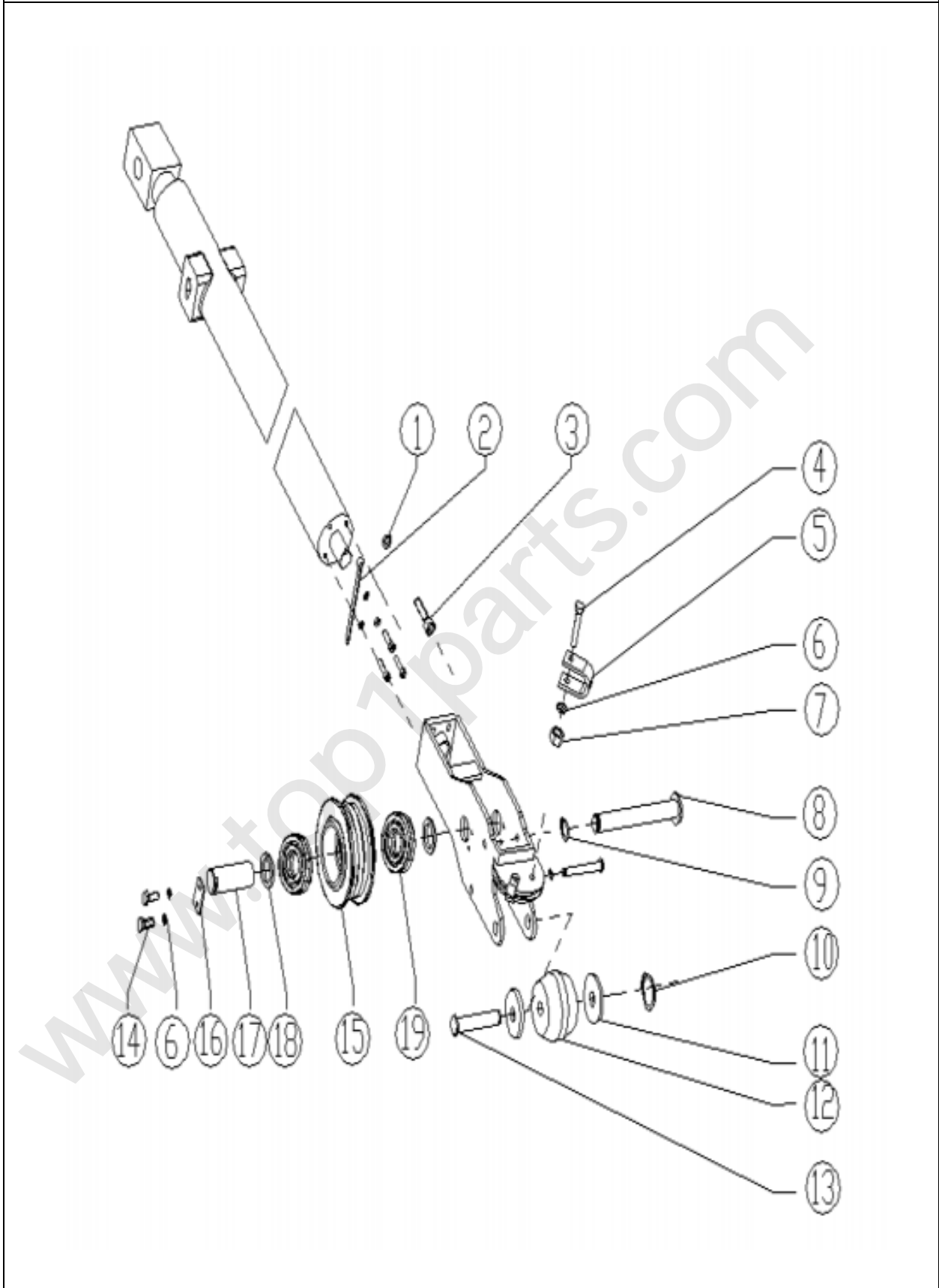


第三节伸缩臂装配 Boom III extension assembly

序号 No.	物料代码 Part Number	名称 Part Name	推荐数量 Advised Q'ty	备注 Remark
1	805100314	螺钉 M8×16 Screw	2	GB/T70.1-2008
2	350500166	滑块 Slide	1	
3	805100129	螺栓 M6×12 Bolt	10	GB/T70.1-2008
4	805300030	垫圈 6 Cushion	10	GB/T93-1987
5	350500097	挡块 Check pad	4	
6	350500230	前封板 Front cover board	1	
7	801100336	油杯 M10×1 Oil cup	1	JB/T7940.1-1995
8	350500011	轴 Shaft	1	
9	805600122	销 3×25 Pin	4	GB/T91-2000
10	805302843	垫圈 10 Cushion	4	GB/T95-2002
11	350500092	绳挡 Rope ward	2	
12	800513609	滚子轴承 NUP206E Bearing	4	GB/T283-2007
13	350200250	滑轮 Pulley	2	
14	350400039	挡板 Check board	1	
15	350500010	隔套 Seperate bush	3	



350500662 伸缩油缸装配 Extension cylinder assembly



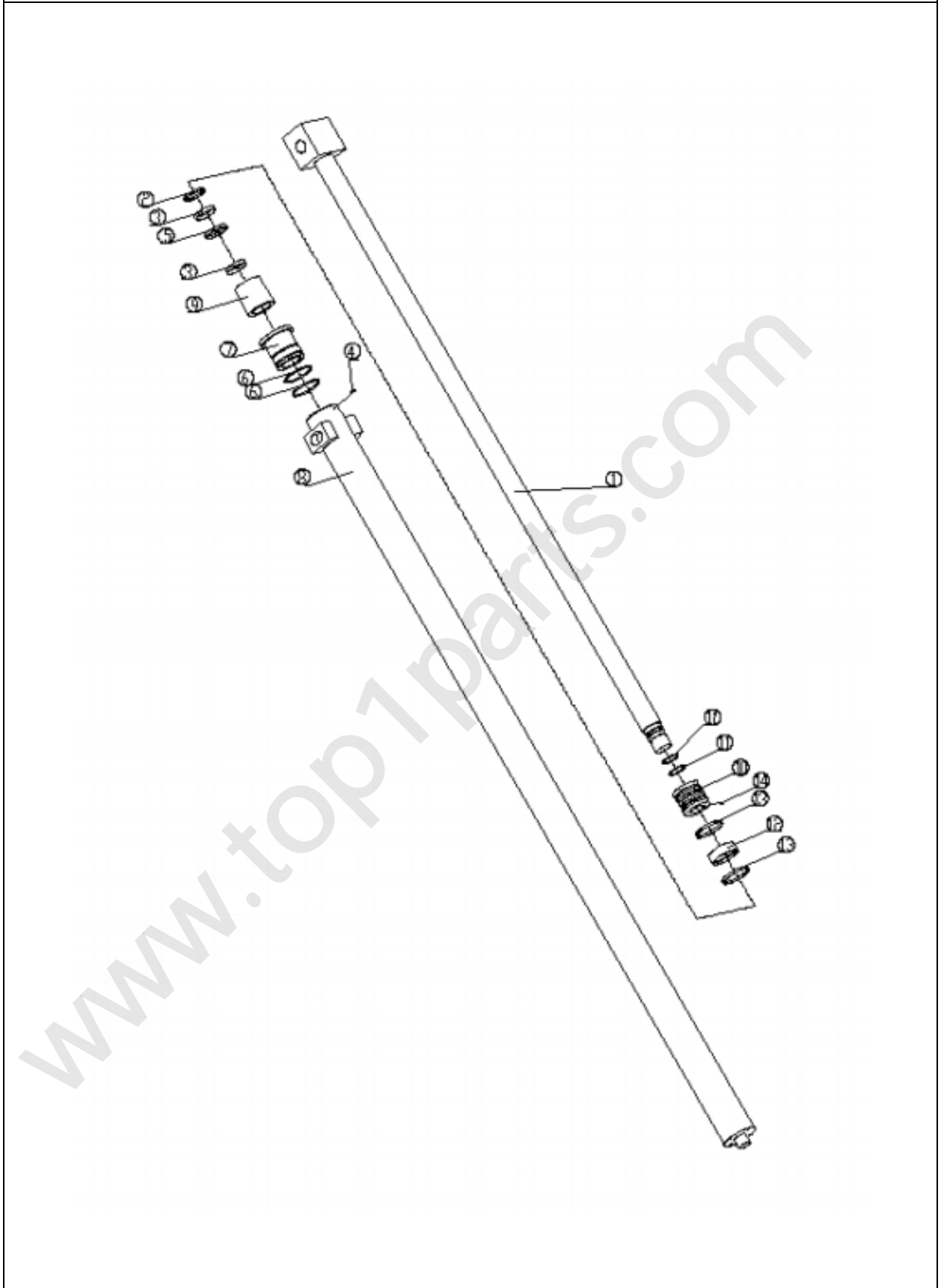


350500662 伸缩油缸装配 Extension cylinder assembly

序号 No.	物料代码 Part Number	名称 Part Name	推荐数量 Advised Q' ty	备注 Remark
1	805300014	垫圈 10 Cushion	4	GB/T93-1987
2	350500681	销子 Pin	1	
3	805100147	螺钉 M10×40 Screw	4	GB/T70.1-2008
4	805000237	螺栓 M8×45 Bolt	2	GB/T5783-2000
5	350500677	挡绳板 Rope ward board	2	
6	805300010	垫圈 8 Cushion	4	GB/T93-1987
7	805200045	螺母 M8 Nut	2	GB/T6170-2000
8	350500671	销轴 Pin shaft	2	
9	805400071	轴用挡圈 15 Check ring for shaft	2	GB/T894.1-1986
10	805400001	轴用挡圈 25 Check ring for shaft	1	GB/T894.1-1986
11	350500675	滚轮 Rolling wheel	2	
12	350500676	滚轮 Rolling wheel	1	
13	350500678	销轴 Pin shaft	1	
14	805000018	螺栓 M8×20 Bolt	2	GB/T5783-2000
15	350500673	滑轮 Pulley	1	
16	350500672	挡板 Check board	1	
17	350500670	轴 Shaft	1	
18	350500674	隔套 Seperate bush	2	
19	800513755	轴承 NUP2309E Bearing	2	GB/T283-2000



350400208 伸缩油缸 Extension cylinder assembly



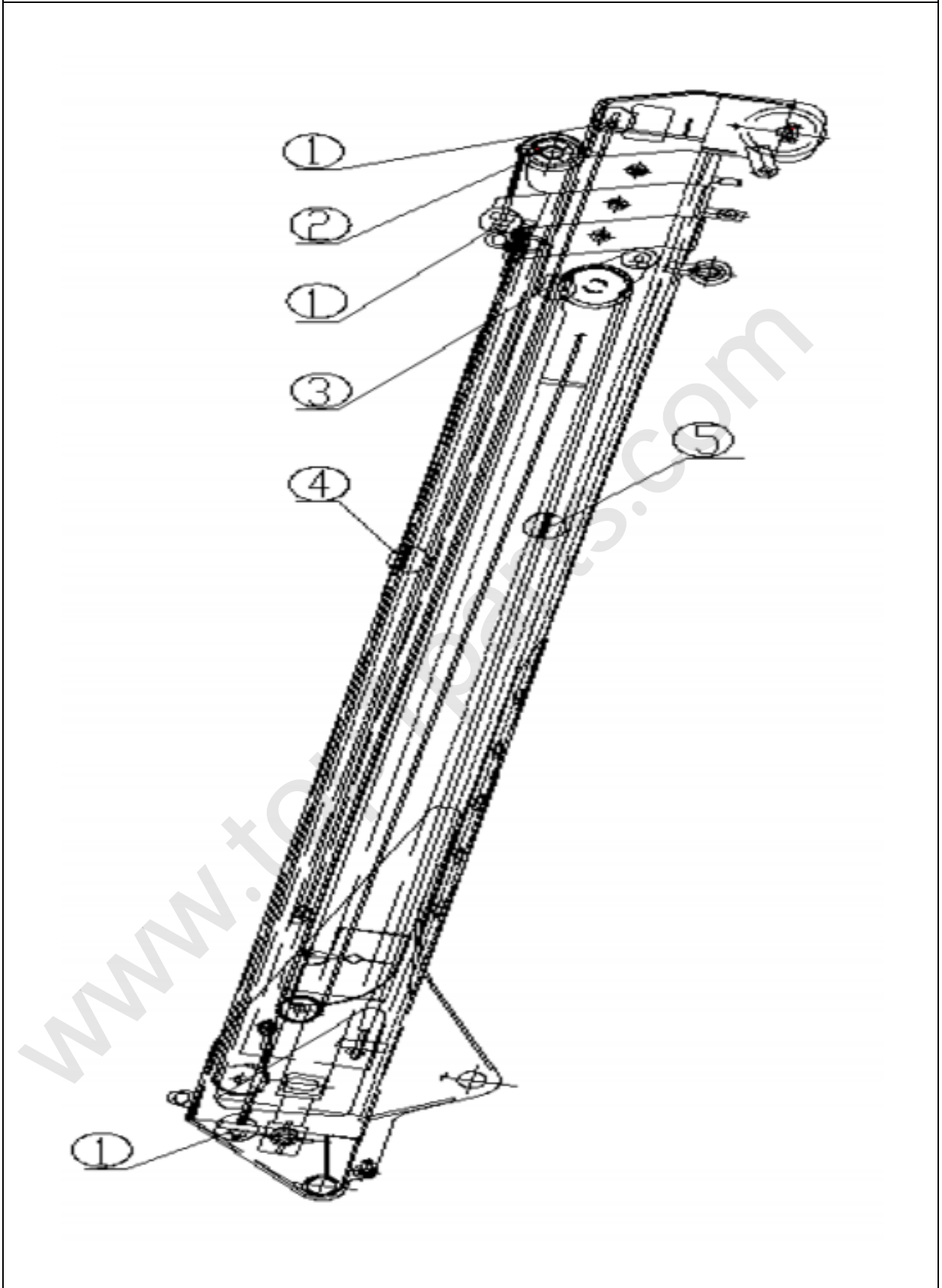


350400208 伸缩油缸 Extension cylinder assembly

序号 No.	物料代码 Part Number	名称 Part Name	推荐数量 Advised Q' ty	备注 Remark
1	--	活塞杆 Piston pole	1	
2	--	防尘圈 63X71-5/6.5 Dustproof	1	
3	--	轴用支撑环 Support ring for shaft d63X9.7-2.5	2	
4	--	紧定螺钉 M5X8 Tightness screw	1	
5	--	轴用密封圈 d63X73-6 Sealed ring for shaft	2	
6	--	O型圈 80X3.1 O-ring	2	
7	--	导向套 Pilot bush	1	
8	--	缸体 Cylinder body	1	
9	--	隔套 Separate bush	1	
10	--	活塞 Piston	1	
11	--	O型圈 50X3.1 O-ring	2	
12	--	组合封 D80X60-35.1 Assembled seal	1	
13	--	孔用支撑环 Support ring for hole D80X9.7-2.5	2	
14	--	紧定螺钉 M6X15 Tightness screw	1	



伸缩臂绳索装配 Boom extension rope assembly





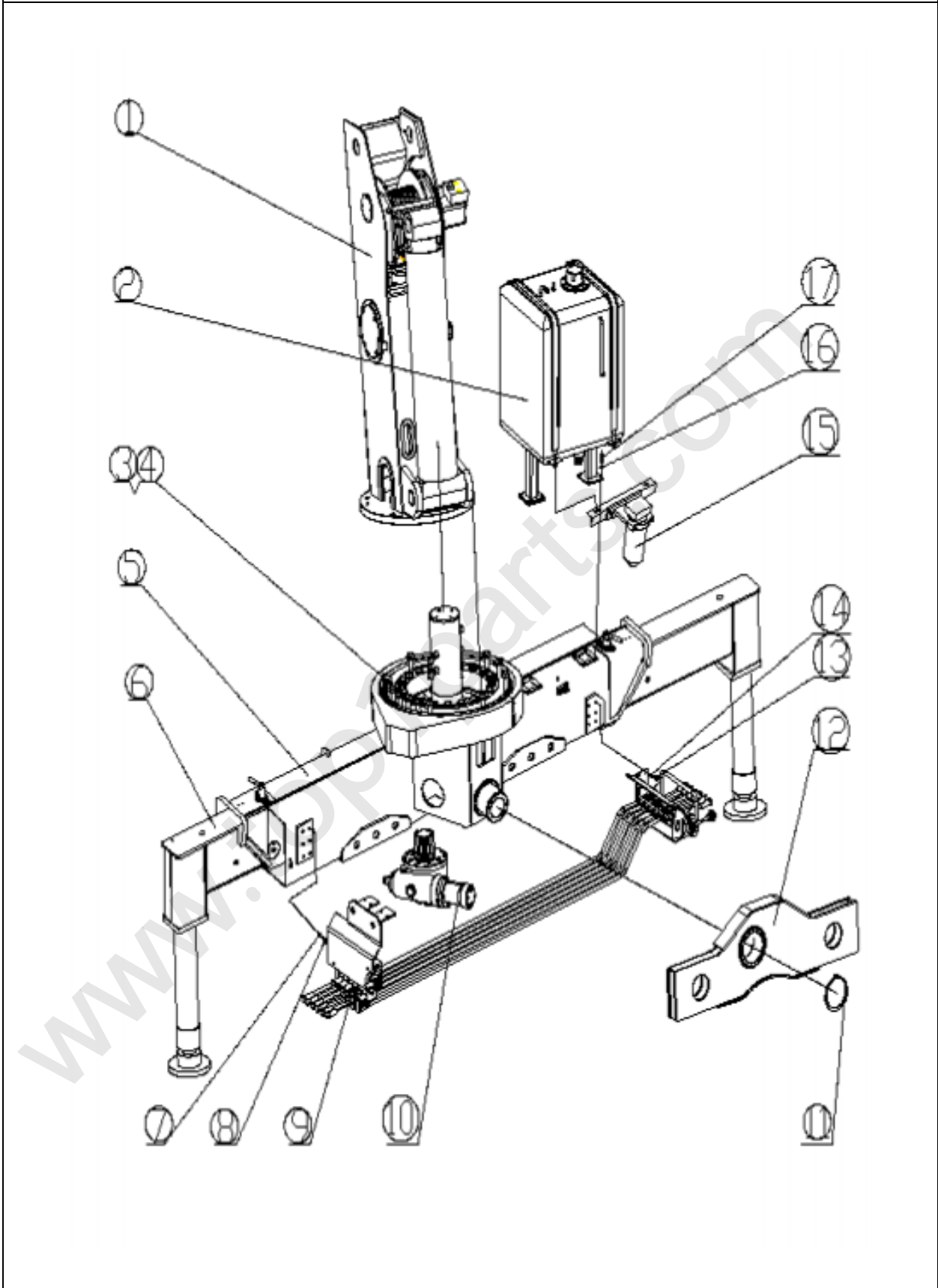
伸缩臂绳索装配 Boom extension rope assembly

序号 No.	物料代码 Part Number	名称 Part Name	推荐数量 Advised Q'ty	备注 Remark
1	805200052	螺母 M20 Nut	12	
2	350501029	粗拉索 Rope	2	
3	350501031	细拉索 Rope	1	
4	350500659	缩绳 Rope	2	
5	350500655	绳排 Rope	1	

www.top1parts.com



350500540 回转机座总成 Slewing base



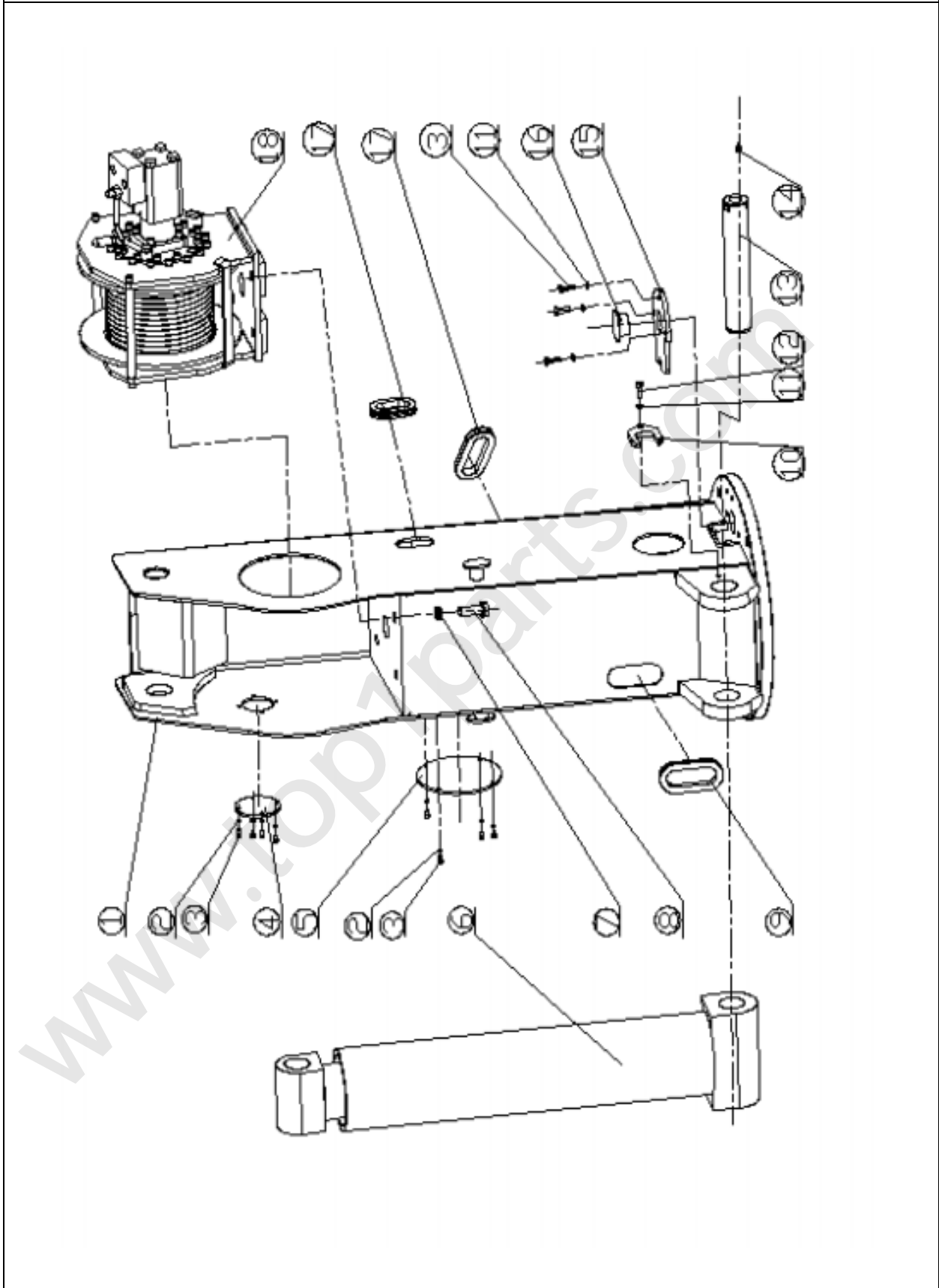


350500540 回转机座总成 Slewing base

序号 No.	物料代码 Part Number	名称 Part Name	推荐数量 Advised Q' ty	备注 Remark
1	350500548	转台 Column	1	
2	351700247	液压油箱总成 Hydraulic oil tank	1	
3	805300023	垫圈20 Cushion ring	20	GB/T93-1987
4	805001977	螺栓M20X100 Bolt	20	GB/T5782-2000
5	350500541	机座体 Base	1	
6	350500457	活动支腿 Stabilizer extension	2	
7	805300030	垫圈6 Cushion ring	6	GB/T93-1987
8	805000322	螺栓M6X16 Bolt	6	GB/T819.2-1997
9	350400469	操纵系统 Control system	1	
10	358100168	回转减速机 Slewing reducer	1	
11	805400093	轴用弹性挡圈120 Check ring	1	GB/T894.1-1986
12	350900117	支架 Bracket	1	
13	805000018	螺栓M8X20 Bolt	6	GB/T5783-2000
14	805300010	垫圈8 Cushion ring	6	GB/T97.1-2002
15	351700393	回油滤油器安装 Oil filter	1	
16	805300014	垫圈10 Cushion ring	8	GB/T93-1987
17	805000727	螺栓M10X25 Bolt	8	GB/T5783-2000



转台总成 Column



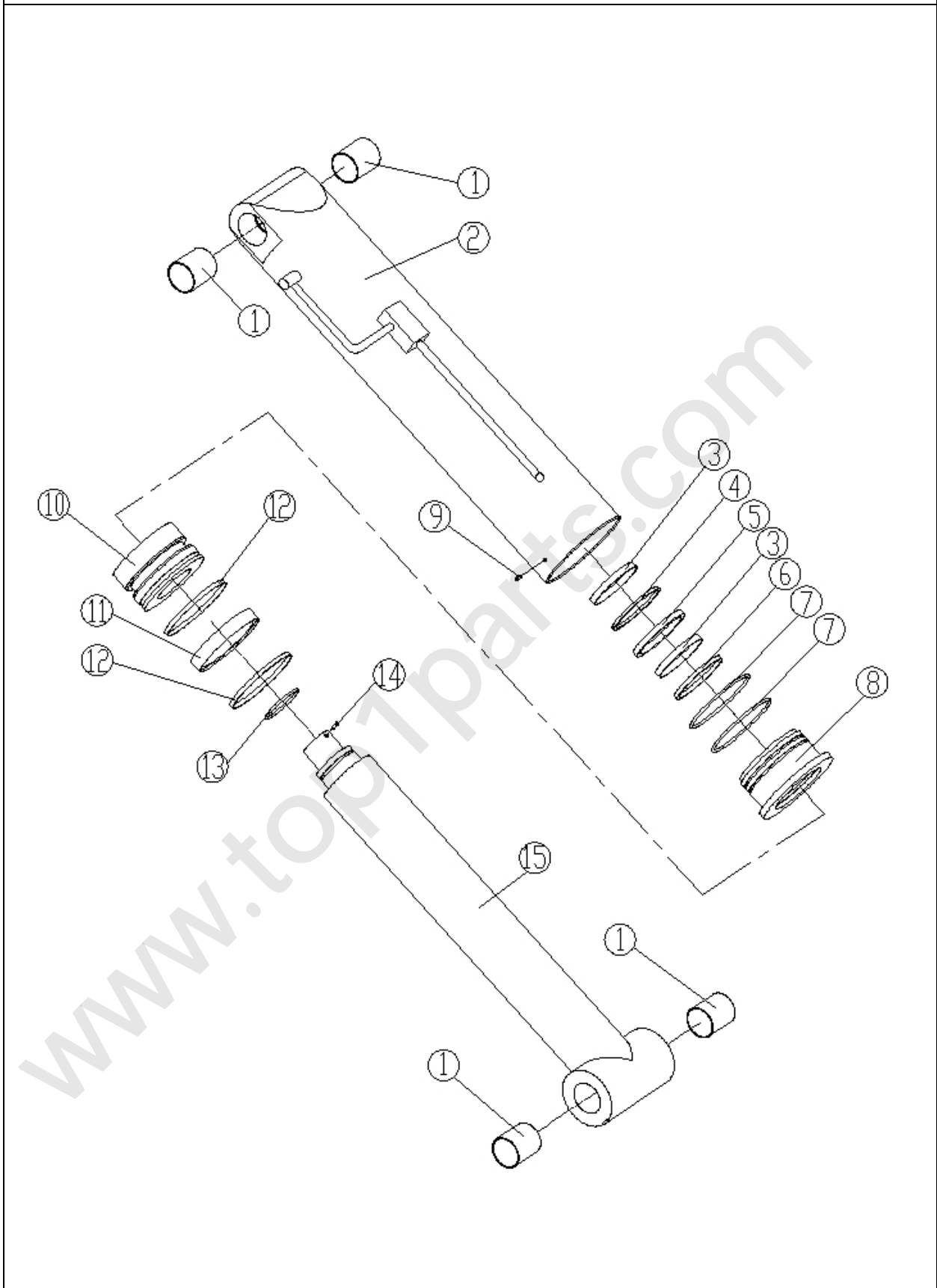


转台总成 Column

序号 No.	物料代码 Part Number	名称 Part Name	推荐数量 Advised Q'ty	备注 Remark
1	350500548	转台结构 Column	1	
2	805300030	垫圈6 Cushion ring	4	GB/T93-1987
3	805102982	螺钉M6X10 Screw	4	GB/T70.1-2008
4	350500044	盖板 Cover board	1	
5	350400045	盖板 Cover board	1	
6	350500297	变幅油缸 Derricking cylinder	1	
7	805300023	垫圈20 Cushion ring	4	GB/T93-1987
8	805000572	螺栓M20X55 Bolt	4	GB/T5783-2000
9	359400086	橡胶套 Rubber bush	1	
10	359400021	卡板 Clip board	1	
11	805300014	垫圈10 Cushion ring	1	GB/T93-1987
12	805000043	螺栓M10×30 Bolt	1	GB/T5783-2000
13	350400420	轴 Shaft	1	
14	801102884	油杯M10X1 Oil cup	1	JB/T7940.1-1995
15	350500034	拨叉 Fork	1	
16	359400092	盖子 Cover	1	
17	359400347	橡胶套 Rubber bush	2	
18	358000449	液压绞车总成 Hydraulic winch	1	



350500297 变幅油缸 Derricking cylinder



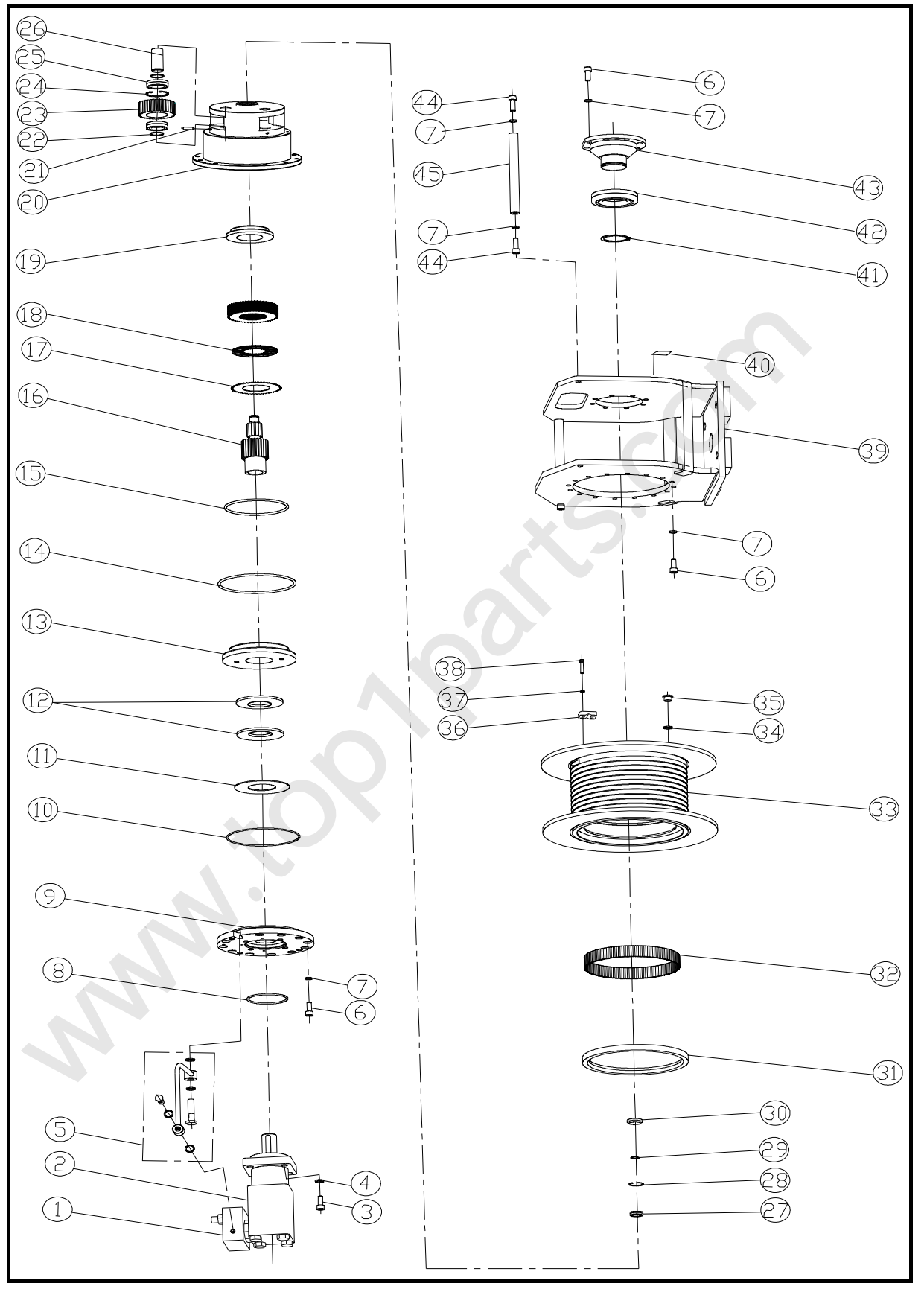


350500297 变幅油缸 Derricking cylinder

序号 No.	物料代码 Part number	名称 Part Name	推荐数量 Advised Q' ty	备注 Remark
1	800552245	无油轴套 Φ90XΦ 95-100 Shaft bush	4	
2	915302471	缸筒 Canister	1	
3	840504984	轴用支撑环 d160X14.7-2.5 Support ring	2	
4	840504989	阶梯封 d160X175.5-6.3 Ladder seal	1	
5	859933042	轴用密封圈 d160X185-17 Seal ring	1	
6	910600453	防尘圈 d160X175-5/11 Dustproof ring	1	
7	801103816	O 型圈 220X5.7 O-ring	2	
8	911101156	导向套 Pilot bush	1	
9	805103955	螺钉 M10X12 Screw	1	
10	911101071	活塞 Piston	1	
11	859934220	组合封 D220X195-50.8 Assembled seal	1	
12	805403374	挡圈 D220X211-2 Check ring	2	
13	803195745	O 型圈 130X5.7 O-ring	1	
14	805005608	螺钉 M8X10 Screw	1	
15	911100045	活塞杆 Piston rod	1	



358000449 液压绞车 Hydraulic winch





358000449 液压绞车 Hydraulic winch

序号 No.	物料代码 Part number	名称 Part Name	推荐数量 Advised Q' ty	备注 Remark
1	803007863	平衡阀 Balance valve	1	CBPA-B-OMS-C1
2	803007706	马达 Motor	1	OMS-245
3	805100039	螺钉 M12X30 Screw	4	GB/T70.1
4	805300018	垫圈 12 Gasket	4	GB/T93
5	358000171	油管 Oil tube	1	
6	805100036	螺钉 M10X25 Screw	12	GB/T70.1
7	805300014	垫圈 10 Gasket	20	GB/T93
8	803175865	O 形圈 82.5X3.55 O-ring	1	C92
9	358000422	端盖 Cover	1	
10	803174912	O 形圈 154X3 O-ring	1	EKM
11	358000097	调整垫 Adjustable cushion	1	
12	801702765	碟簧 100×51×6×8.2 Dish spring	2	GB/T1972
13	358000095	活塞 Piston	1	
14	803175192	O 形圈 160X5 O-ring	1	EKM
15	803174892	O 形圈 130X5 O-ring	1	EKM
16	358000129	太阳轮 Sun wheel	1	
17	358000410	摩擦静片 Static plate	9	
18	358000411	摩擦动片 Dynamic plate	8	
19	358000146	挡板 Baffle	1	
20	358000127	筒芯 Roller-shaft	1	
21	805005064	螺钉 M6X20 Screw	3	GB/T79
22	358000132	行星垫 Planet gasket	6	
23	358000102	行星轮 Planet wheel	3	
24	805400037	挡圈 47 Baffle	3	GB/T893.1
25	800513736	轴承 32005 Bearing	6	GB/T297
26	358000120	行星轴 Planet shaft	3	
27	800513904	轴承 NA4904 Bearing	1	GB/T5801
28	805403048	挡圈 37 Baffle	1	GB/T893.1
29	805400039	挡圈 20 Baffle	1	GB/T894.1
30	358000425	顶塞 Plug	1	
31	803175109	油封 200X230X15 Oil seal	1	SN70-TC
32	800513751	滚针 P4X29.8 Roll needle	160	GB/T309
33	358000441	筒体组件 Cylinder	1	
34	801903029	密封垫 16X20 Sealed cushion	3	JB/ZQ4454
35	803174310	螺塞 M16X1.5 Screw thread plug	3	JB/ZQ4444
36	358000243	压板 Press board	1	
37	805300030	垫圈 6 Gasket	4	GB/T93
38	805100058	螺钉 M6X30 Screw	4	GB/T70.1



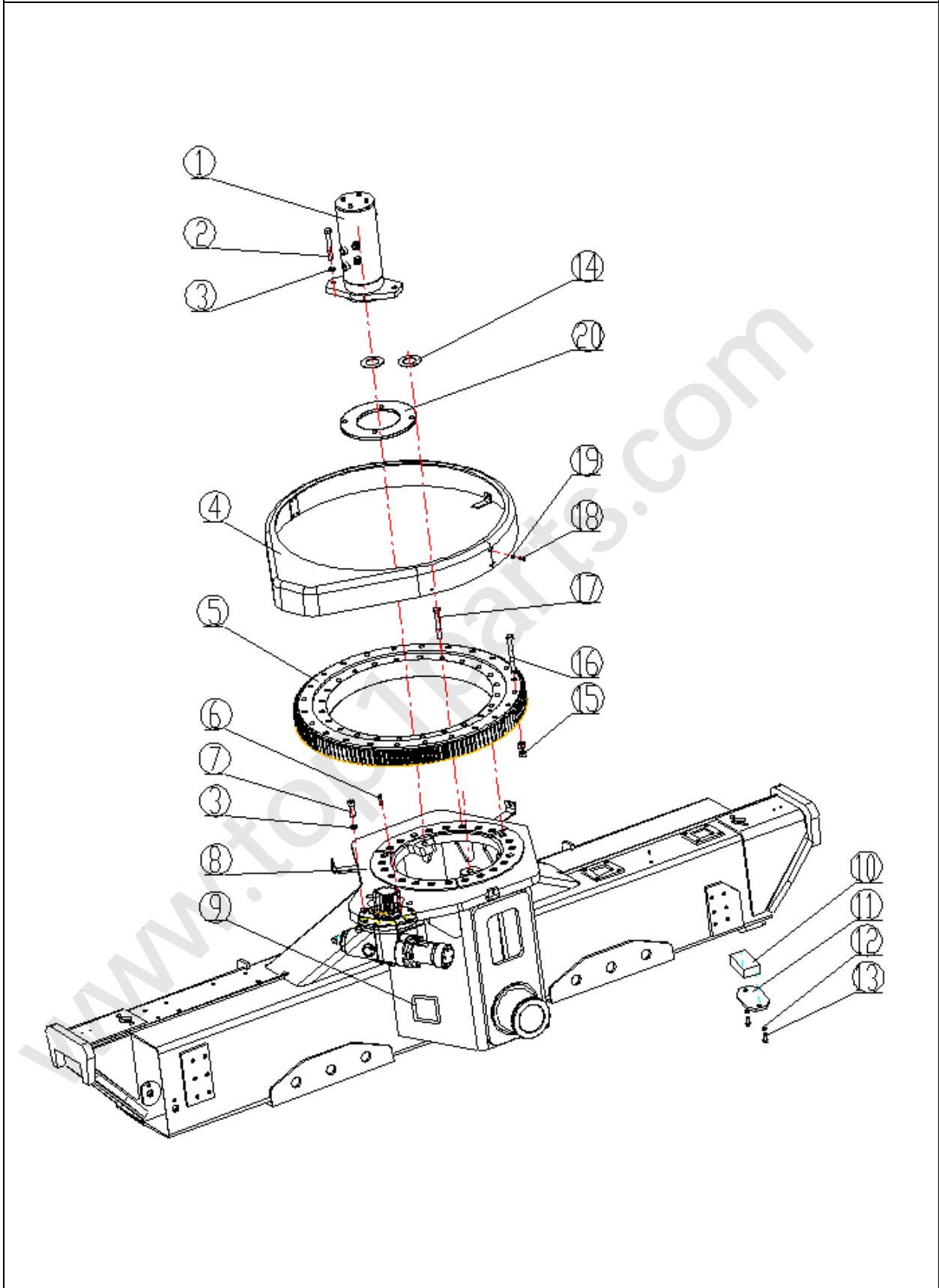
358000449 液压绞车 Hydraulic winch

序号 No.	物料代码 Part number	名称 Part Name	推荐数量 Advised Q' ty	备注 Remark
39	358000032	支架总成 Bracket	1	
40	358000245	起升减速机标牌 Label	1	
41	805400034	挡圈 55 Baffle	1	GB/T894.1
42	800513662	轴承 6211-Z Bearing	1	GB/T276
43	358000123	端盖 Cover	1	
44	805103872	螺钉 M10X30 Screw	4	GB/T70.1
45	358000435	连接轴 Couplet	2	

www.top1parts.com



机座体总成 base



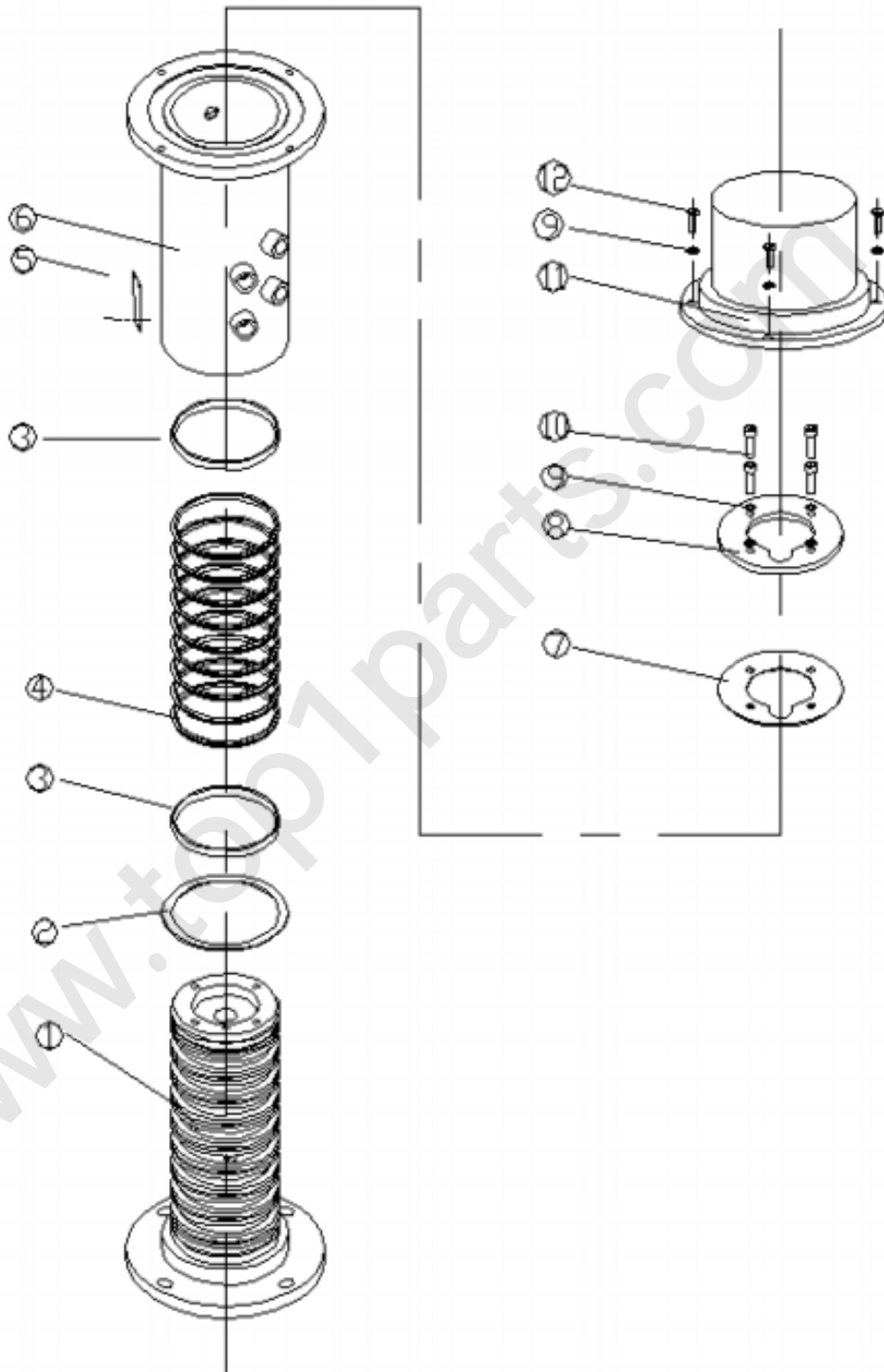


机座体总成 base

序号 No.	物料代码 Part number	名称 Part Name	推荐数量 Advised Q' ty	备注 Remark
1	358200044	回转分配器 Slewing distributor	1	
2	805000051	螺栓M16×40 Bolt	4	GB/T5783-2000
3	805300011	垫圈16 Cushion ring	8	GB/T93-1987
4	350501301	防尘罩总成 Dustproof cover	1	
5	800513779	回转支承 012 30 500(QWC500.30) Slewing bearing	1	
6	805603534	销6×40 Pin	2	
7	805100298	螺钉M16×45 Screw	5	GB/T70.1-2008
8	350500541	基座体 Base	1	
9	359400089	橡胶套 Rubber bush	2	
10	350500003	滑块 Slide	2	
11	350400417	挡板 ward board	2	
12	805300014	垫圈10 Cushion ring	6	GB/T93-1987
13	805000043	螺栓M10×30 Bolt	6	GB/T5783-2000
14	841111003	垫片 20 Cushion	2	GB/T93-1987
15	805103972	螺母M16 Nut	48	GB/T6170-2000
16	805000640	螺栓M20×70 Bolt	12	GB/T5783-2000
17	805001905	螺栓M20×100 Bolt	20	GB/T5783-2000
18	805101911	螺钉M6×20 Screw	11	GB/T70.1-2008
19	805200053	螺母M6 Nut	11	GB/T6170-2000
20	350500042	垫板 Padding board	1	GB/T6170-2000
21				
22				
23				
24				



358200044 回转分配器 Slewing distributor



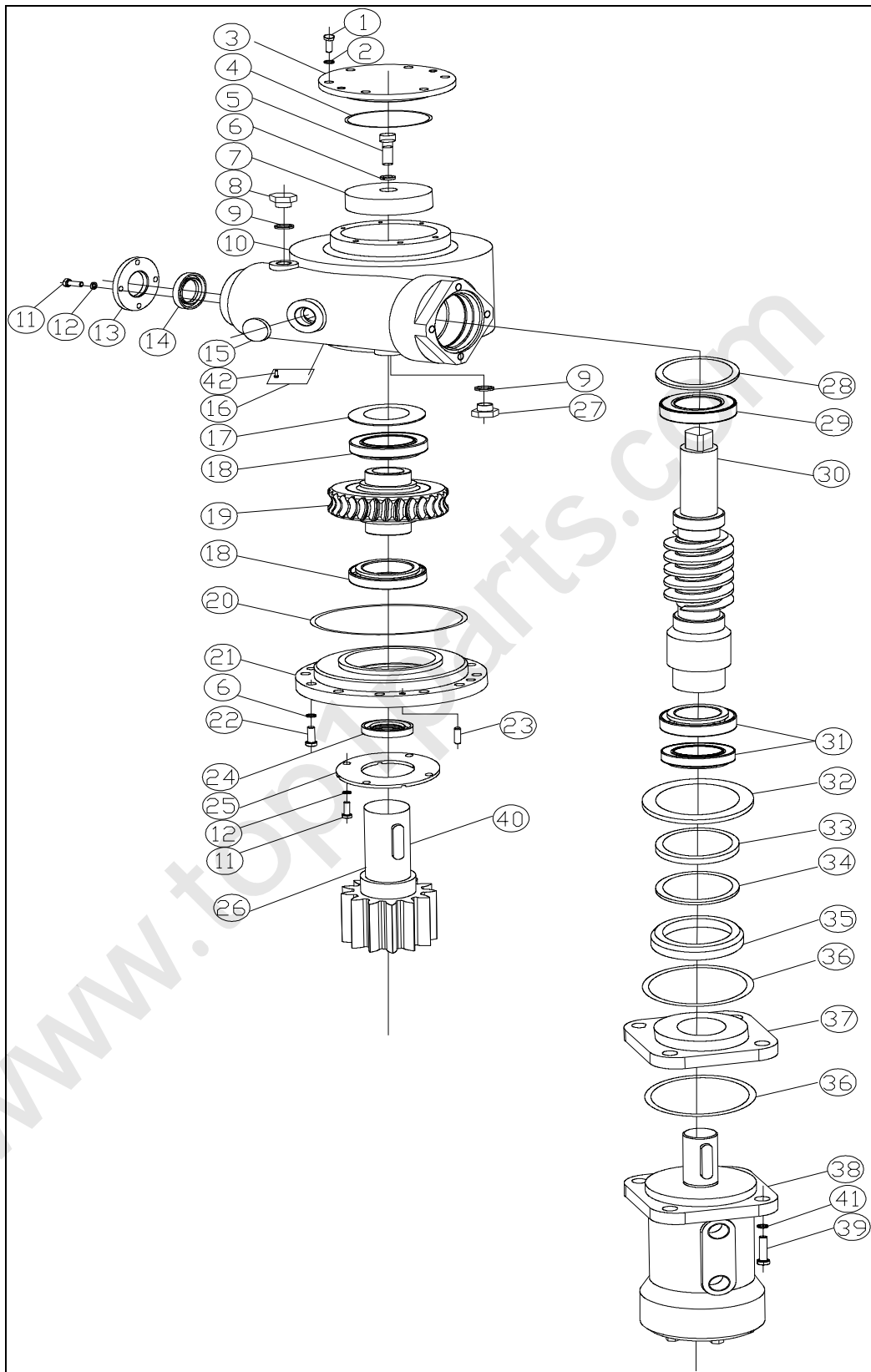


358200044 回转分配器 Slewing distributor

序号 No.	物料代码 Part number	名称 Part Name	推荐数量 Advised Q' ty	备注 Remark
1	358200012	芯轴 Core shaft	1	
2	358200045	耐磨垫 I Wearable cushion	1	
3	803175084	导向环 120/115X9.7 Pilot ring	2	
4	803175148	旋转密封 120/109X4.2 Rotary seal	9	
5	358200048	标牌 Nameplate	1	
6	358200011	分配体 Distributor	1	
7	358200046	耐磨垫 II Wearable cushion	1	
8	358200047	压板 Cover board	1	
9	805302783	弹簧垫圈 8 Spring cushion	8	
10	805100154	螺钉 M8X30 Screw	4	
11	358200062	9路电刷 Brush	1	
12	805000017	螺栓 M8X25 Screw	4	



358100168 回转减速机 Slewing reducer





358100168 回转减速机 Slewing reducer

序号 No.	物料代码 Part number	名称 Part Name	推荐数量 Advised Q' ty	备注 Remark
1	805100037	螺钉 M8X25 Screw	6	GB/T70.1
2	805300010	弹簧垫圈 M8 Gasket	6	GB/T93
3	358100034	端盖 Cover	1	
4	803175201	O 形圈 105X3 O-ring	1	EKM
5	805100147	螺钉 M10X40 Screw	1	GB/T70.1
6	805300014	垫圈 M10 Gasket	16	GB/T93
7	358100032	压盖 Board	1	
8	803174310	螺塞 M16X1.5 Thread plug	1	JB/ZQ4444
9	805300026	组合密封 M16 Assembled seal	3	JB/T982
10	358100169	减速机壳体 Reducer shell	1	
11	805100309	螺钉 M6X16 Screw	8	GB/T5783
12	805300030	垫圈 M6 Gasket	8	GB/T93
13	358100018	垫板 Padding board	1	
14	803174254	O形圈 35X2 Oil seal	1	
15	801103171	油标 A20 Oil cup	1	JB/T7941.2
16	358100135	回转减速机标牌 Scutcheon	1	
17	358100029	调整垫 Adjustable cushion	1	
18	800513735	轴承 32014 Bearing	2	GB/T297
19	358100164	蜗轮 Worm whee	1	
20	803175854	O形圈 170X3.55 O-ring	1	GB/T3452.1
21	358100163	可通端盖 End cover	1	
22	805103949	螺钉 M10X18 Screw	12	GB/T70.1
23	805603870	销 10X25 Pin	2	GB/T119.2
24	803174258	油封 55X70X8 Oil seal	1	SN70-TC
25	358100031	压板 Board	1	
26	358100025	齿轮轴 Gear column	1	
27	805801300	透气塞 M16X1.5 Air breathed plug	1	JB/ZQ4444
28	805400046	挡圈 35 Baffle	1	GB/T894.1
29	800500206	轴承 6007 Bearing	1	GB/T276
30	358100021	蜗杆 Worm	1	
31	800511514	轴承 32009 Bearing	2	GB/T297

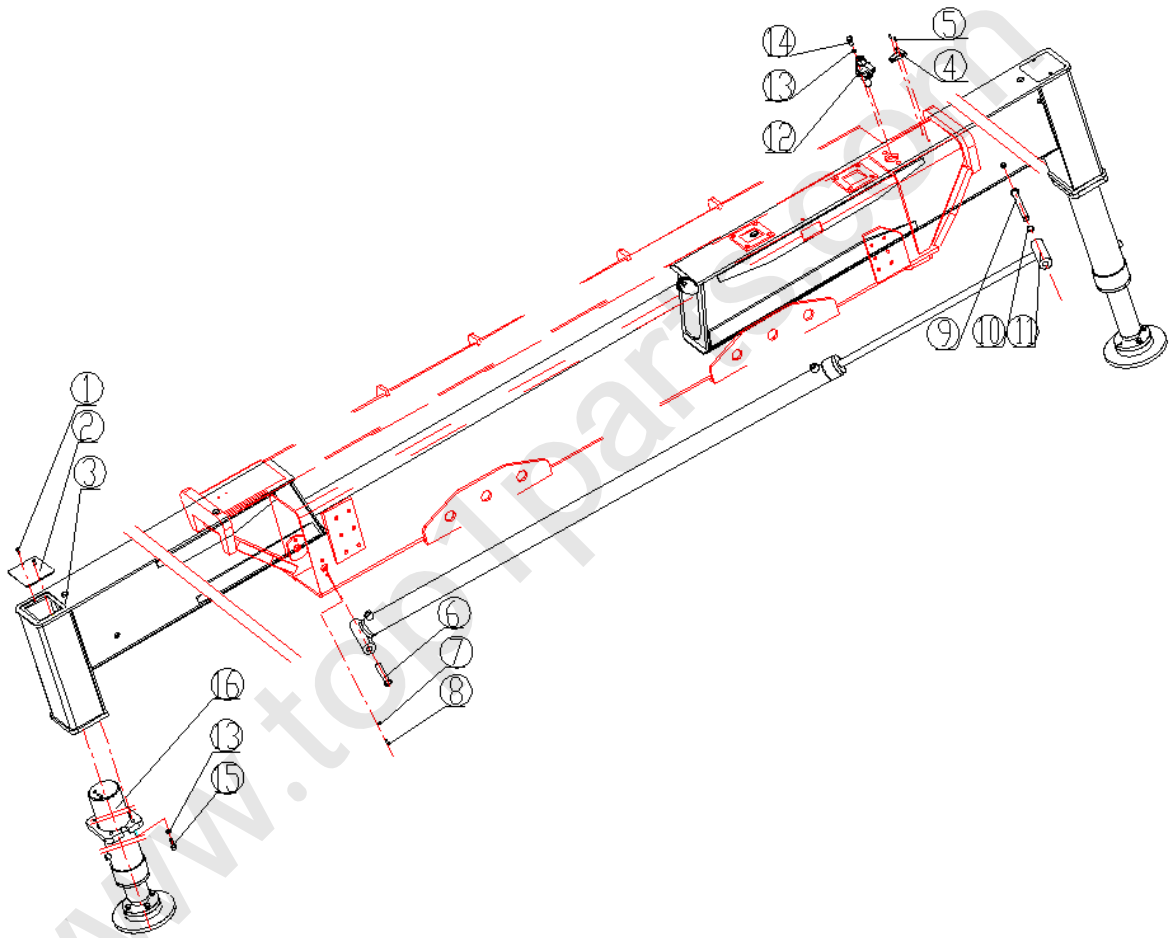


358100168回转减速机 Slewing reducer

序号 No.	物料代码 Part number	名称 Part Name	推荐数量 Advised Q' ty	备注 Remark
32	358100030	调整垫 Adjustable cushion	1	
33	358100033	垫片 Cushion	1	
34	805300169	止动垫圈 42 Stop cushion	1	GB/T812
35	805200204	圆螺母 M42X1.5 Nut	1	GB/T858
36	803174216	O形圈 80X2 O-ring	2	EKM
37	358100027	连接套 Transition	1	
38	803007705	马达 Motor	1	OMR80
39	805100067	螺钉 M10X55 Screw M10X55	4	GB/T5783
40	805701065	键 14X70 Key 14X70	1	GB/T1096
41	805302803	冻结制锁垫圈 M10 Gasket M10	1	GB/T87
42	805502345	铆钉 2.5X6 Rivet 2.5X6	4	GB/T93



350400457 活动腿总成 Stabilizer extension



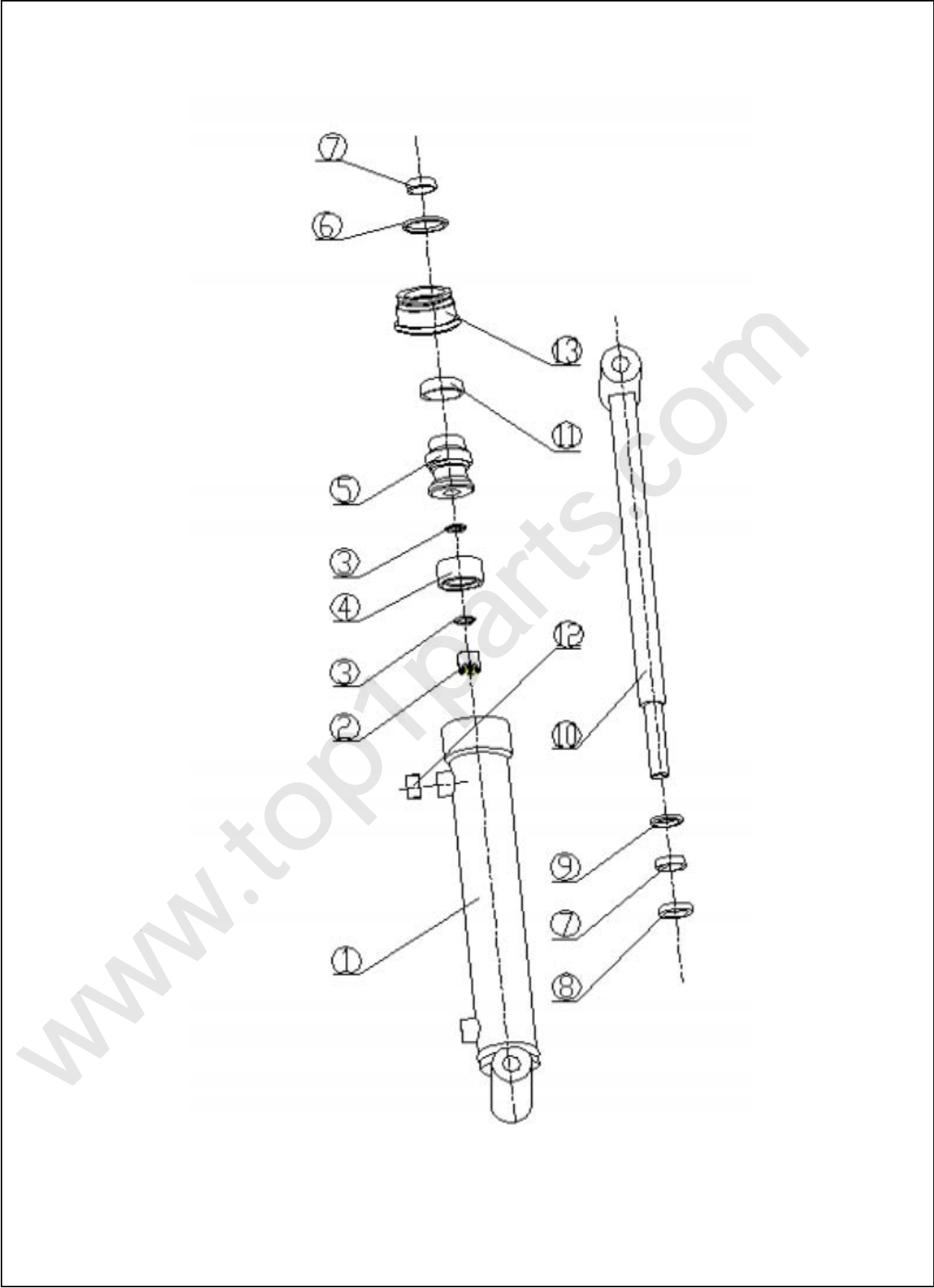


350400457 活动腿总成 Stabilizer extension

序号 No.	物料代码 Part number	名称 Part Name	推荐数量 Advised Q' ty	备注 Remark
1	805103919	螺钉 M5X10 Screw	1	GB/T819.2-1997
2	350400458	上封板 Up close board	4	
3	350400457	活动支腿 Active leg	6	
4	803505158	水平仪 SS-50 Gradienter	2	
5	805103922	沉头螺钉 M4X12 Screw	4	GB/T819.1-2000
6	350400466	销轴 Pin shaft	1	
7	805300010	垫圈 8 Cushion ring	2	GB/T97.1-2002
8	805000018	螺栓 M8X20 Bolt	2	GB/T5783-2000
9	350500009	销轴 Pin shaft	2	
10	805400039	轴用弹性挡圈 20 Check ring for shaft	2	GB/T894.1-1986
11	350400468	水平支腿油缸 Horizontal leg cylinder	2	
12	359400179	锁紧总成 Lock	2	
13	805300014	垫圈 10 Cushion ring	12	GB/T93-1987
14	805100036	螺栓 M10X25 Bolt	4	GB/T70.1-2000
15	805004827	螺钉 M10X30 Screw	8	GB/T70.1-2000
16	350400191	垂直支腿油缸 Vertical leg cylinder	2	
17				
18				
19				
20				
21				
22				



350500189 水平支腿油缸 Leg cylinder



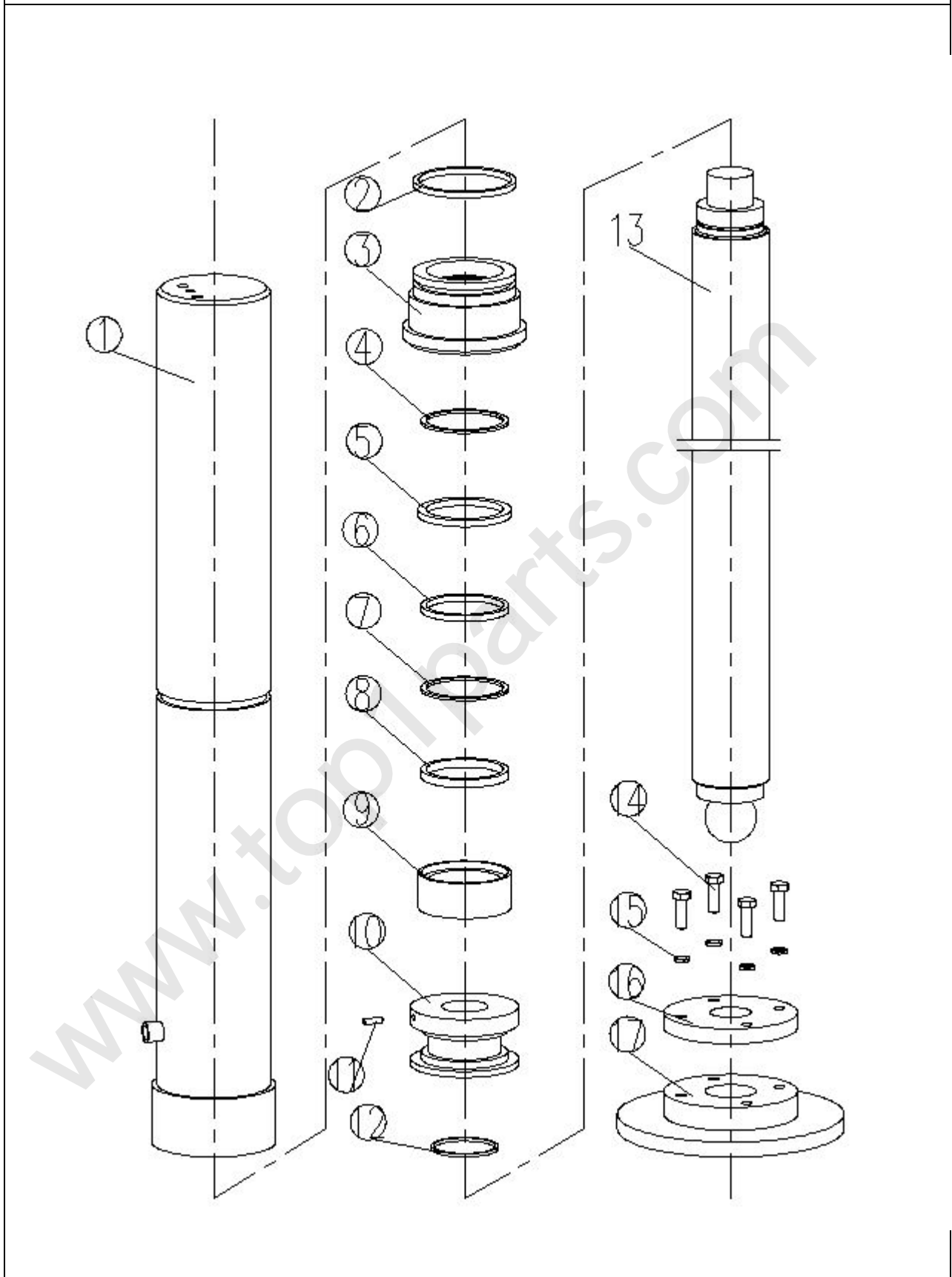


350500189 水平支腿油缸 Leg cylinder

序号 No.	零部件代号 Part Code	名称 Part Name	数量 Advised Q' ty	备注 Remark
1	--	缸体 Cylinder body	1	
2	--	尼龙螺母 M16-25 Nylon nut	4	
3	--	O 型圈 24×2.4 O-ring	6	
4	--	组合封 Assembled	3	
5	--	活塞 Piston	1	
6	--	O 型圈 50×3.5 O-ring	1	
7	--	轴用支承环 d28× 9.4-2.5 Support ring for shaft	1	
8	--	轴封 D2 28×38-7 Seal for shaft	3	
9	--	防尘圈 28×36-4.5/6.5 Dustproof ring	3	
10	--	活塞杆 Piston pole	6	
11	--	隔套 Separate bush	6	
12	--	油塞 Oil plug	1	
13	--	导向套 Pilot bush	2	



350400191 支腿油缸 Leg cylinder



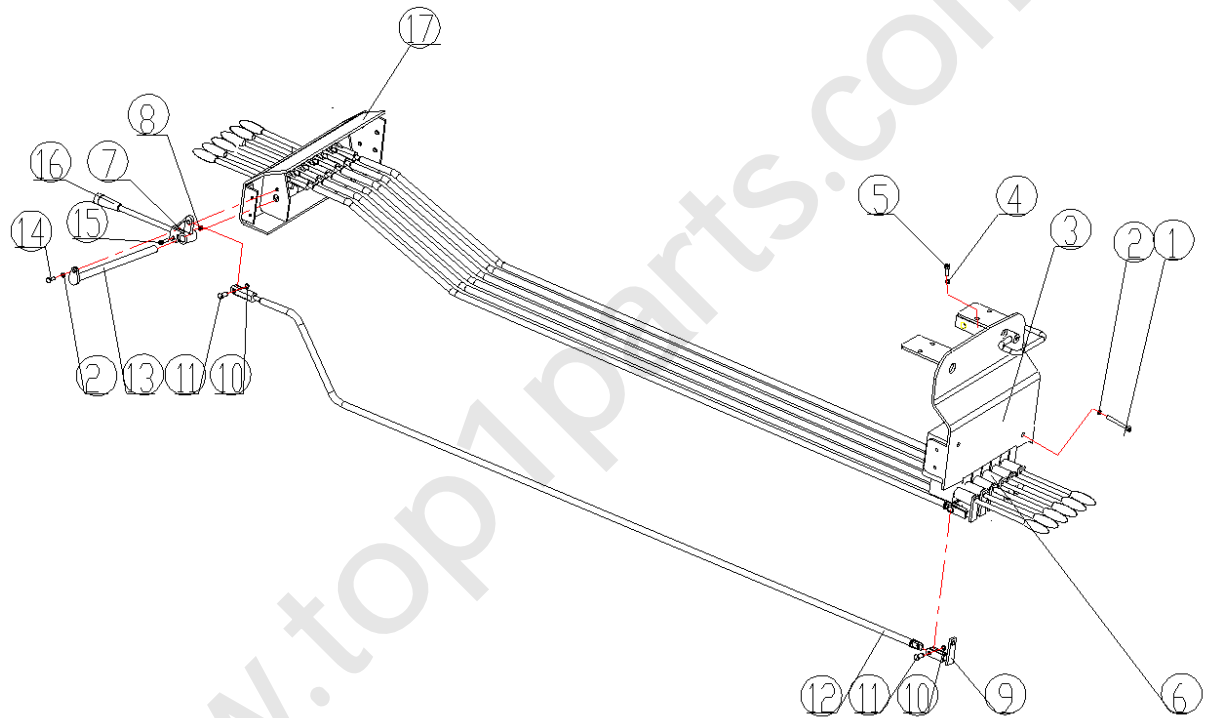


350400191 支腿油缸 Leg cylinder

序号 No.	物料代码 Part number	名称 Part Name	推荐数量 Advised Q' ty	备注 Remark
1	351000552	缸体 Cylinder body	1	
2	801103814	O 型圈 85.32X3.53 O-ring	1	
3	911101156	导向套 Pilot bush	1	
4	803195740	O 型圈 78.97X53 O-ring	1	
5	859934145	斯特封 D63X78.5-6.3 Seal	2	
6	859933040	轴用密封圈 D63× 73-6 Sealed ring for shaft	1	
7	859934219	组合封 D80X60-35.1 Assembled seal	1	
8	910600451	防尘圈 D63X71-5/6.5 Dustproof ring	1	
9	911500756	衬套 Cushion	1	
10	911101070	活塞 Piston	1	
11	805101911	紧定螺钉 M6X20 Tightness screw	1	
12	803195742	O 型圈 50X3.1 O-ring	1	
13	911100045	活塞杆 Piston pole	1	
14	805004827	内六角螺钉 M10X25 Screw	4	
15	805300014	弹垫 10 Spring	4	
16	911302058	球头座盖板 Cover board	1	
17	911302059	球头座 Ball-pedestal	1	



350400469 操作系统 controls



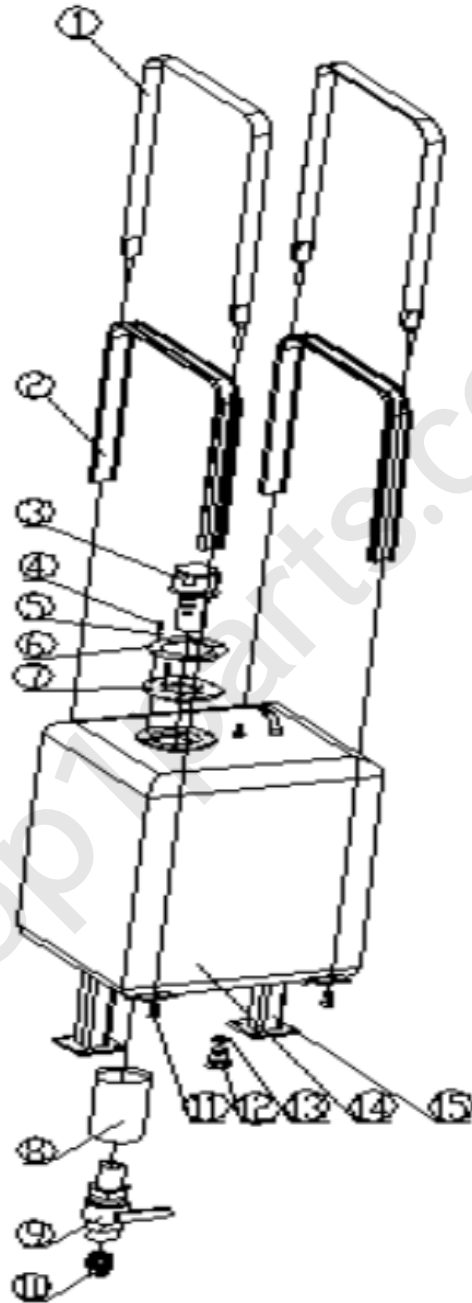


350400469 操作系统 Controls

序号 No.	物料代码 Part number	名称 Part Name	推荐数量 Advised Q' ty	备注 Remark
1	805000057	螺钉M6×60 Screw	3	GB/T70.1-2000
2	805300030	弹垫6 Sping cushion	3	GB/T93-1987
3	350400470	阀架 Valve bracket	1	
4	805300010	弹垫8 Sping cushion	2	GB/T93-1987
5	805100118	螺钉M8×40 Screw	2	GB/T70.1-2000
6	803007877	多路换向阀 Multi-channel valve	1	
7	359400100	拨叉 Fork	5	
8	805200046	螺母M5 Nut	5	GB/T6170-2000
9	359400357	拨叉 Fork	5	
10	805338213	轴用弹性挡圈8 Check ring for shaft	8	
11	359400133	销轴 Pin shaft	10	
12	350400471	连杆 Linker	5	
13	800305966	连接轴 Connected shaft	1	
14	805000322	螺栓M6×16 Bolt	8	GB/T5783-2000
15	805138276	螺钉M5×20 Screw	5	GB/T70.1-2000
16	359400120	操纵手柄 Operation handler	5	
17	350400473	操纵架 Controls bracket	1	



351700247 液压油箱总成 hydraulic oil tank



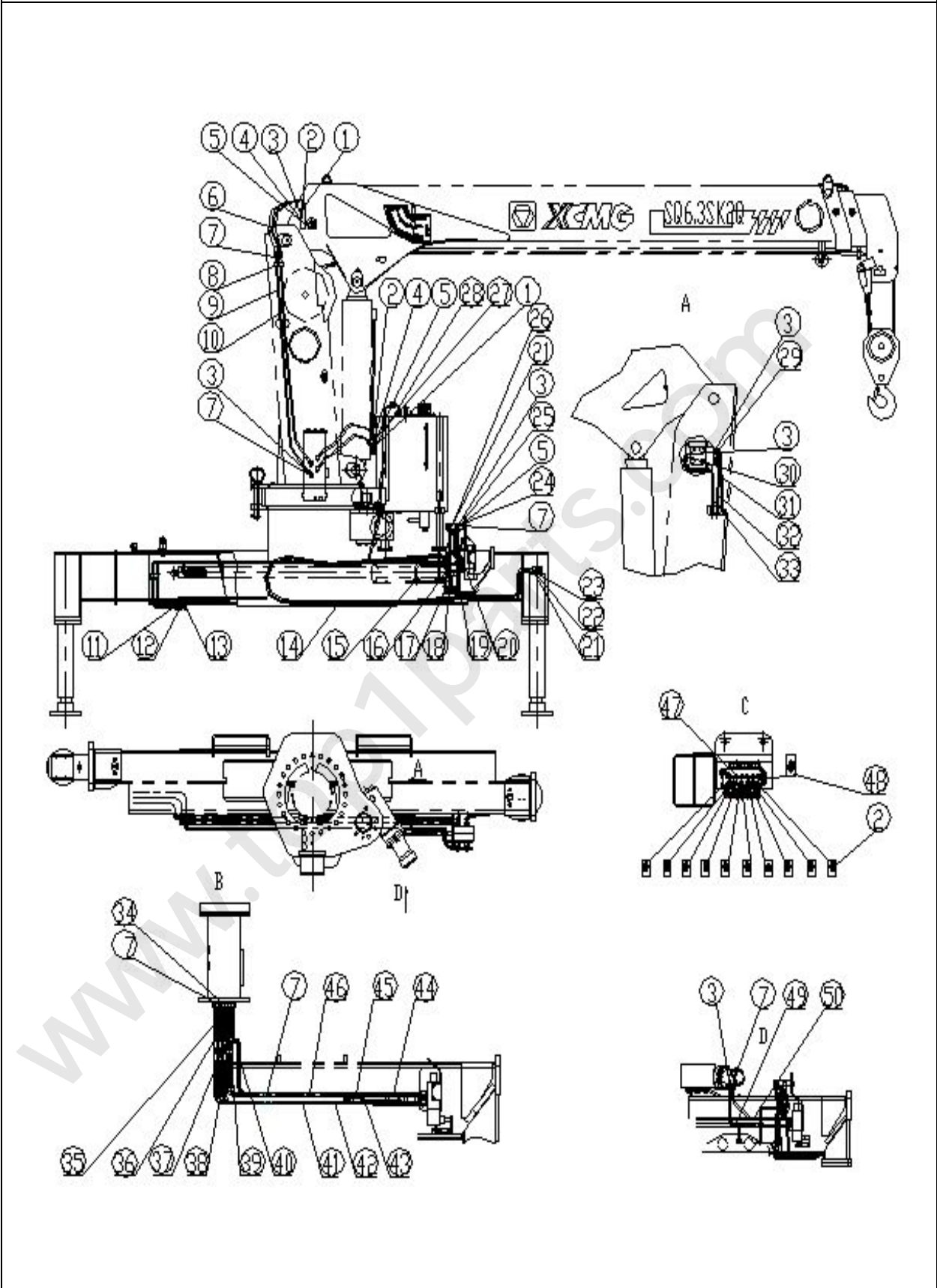


351700247 液压油箱总成 hydraulic oil tank

序号 No.	零部件代号 Part Code	名称 Part Name	数量 Advised Q' ty	备注 Remark
1	353600379	紧固带 Tightness belt	2	
2	353600476	缓冲垫 Buffer cushion	2	
3	803174203	空气滤清器 Air filter	1	
4	805005582	螺栓 M4X15 Bolt	12	
5	805300027	垫圈 4 Cushion ring	12	
6	350400381	垫圈 Cushion ring	1	
7	350400380	盖板 Cover board	1	
8	803174320	滤油器 Oil filter	1	
9	803008305	铜手柄球阀 Ball-valve	1	
10	359400055	接头体 Tie-in	1	
11	805200048	螺母 Nut	8	
12	805005596	螺塞 M27X2 Screw thread plug	1	
13	805300038	垫圈 27 Cushion ring	1	
14	351700360	油箱体 Oil tank	1	
15	351600219	油箱支架 Tank bracket	2	



350401018 液压系统布管图 Hydraulic system layout





350401018 液压系统布管图 Hydraulic system layout

序号 No.	零部件代号 Part Code	名称 Part Name	数量 Advised Q' ty	备注 Remark
1	803007973	单向平衡阀SPHBB50 Balance valve	2	
2	803174462	直通接头I12LG3/8ED Straight joint	1	
3	803174525	接头LH12L L-joint	18	
4	805000237	螺栓M8×45 Bolt	4	
5	805300010	垫圈8 Cushion ring	6	
6	803176072	软管 N381HAHA121206-600 Tube	2	
7	803174458	接头I12L Straight joint	24	
8	359400103	管夹 Tube clip	1	
9	350500267	弯管 Bend tube	1	
10	350500268	弯管 Bend tube	1	
11	350500269	弯管 Bend tube	1	
12	350500270	弯管 Bend tube	1	
13	350500271	弯管 Bend tube	1	
14	803177422	软管 N381HAHE101005-2300 Tube	4	
15	803174590	接头Y12L	1	
16	350500272	弯管 Bend tube	1	
17	350500273	弯管 Bend tube	1	
18	350500274	弯管 Bend tube	1	
19	350500275	弯管 Bend tube	1	
20	350500276	弯管 Bend tube	1	
21	803174463	接头I12LM14×1.5ED Straight joint	8	
22	803008012	双向液压锁S0-K8L-J7 Dual-hydraulic lock	2	
23	805300014	垫圈10 Cushion ring	8	GB/T93-1987
24	803007944	螺母M8 Nut	2	GB/T6170-2000
25	805100118	螺钉M8×40 Screw	2	GB/T70.1-2000
26	805200045	选择阀45XF-L6 Selector valve	1	
27	803165100	软管 N381HAHF121206-600 Tube	1	



350401018 液压系统布管图 Hydraulic system layout

序号 No.	零部件代号 Part Code	名称 Part Name	数量 Advised Q' ty	备注 Remark
28	803175678	软管总成 N381HAHF121206-700	1	
29	803174460	接头 I12LG1/2ED	2	
30	803174461	接头 I12LG1/4ED	1	
31	350500277	弯管	1	
32	350500278	弯管	1	
33	350500279	弯管	1	
34	803174448	接头 I10L	1	
35	350500280	直管	4	
36	350500281	弯管	1	
37	350500282	弯管	1	
38	350500283	弯管	1	
39	350500284	弯管	1	
40	350500285	弯管	1	
41	350500286	弯管	1	
42	350500287	弯管	1	
43	350500288	弯管	1	
44	350500289	弯管	1	
45	350500290	弯管	1	
46	350500291	弯管	1	
47	803008052	六连多路阀 D(6)L10-6G-000Y00	1	
48	803174471	接头 I15LG1/2ED	1	
49	350500551	弯管	1	
50	350500552	弯管	1	



www.top1parts.com

备忘录

www.top1parts.com