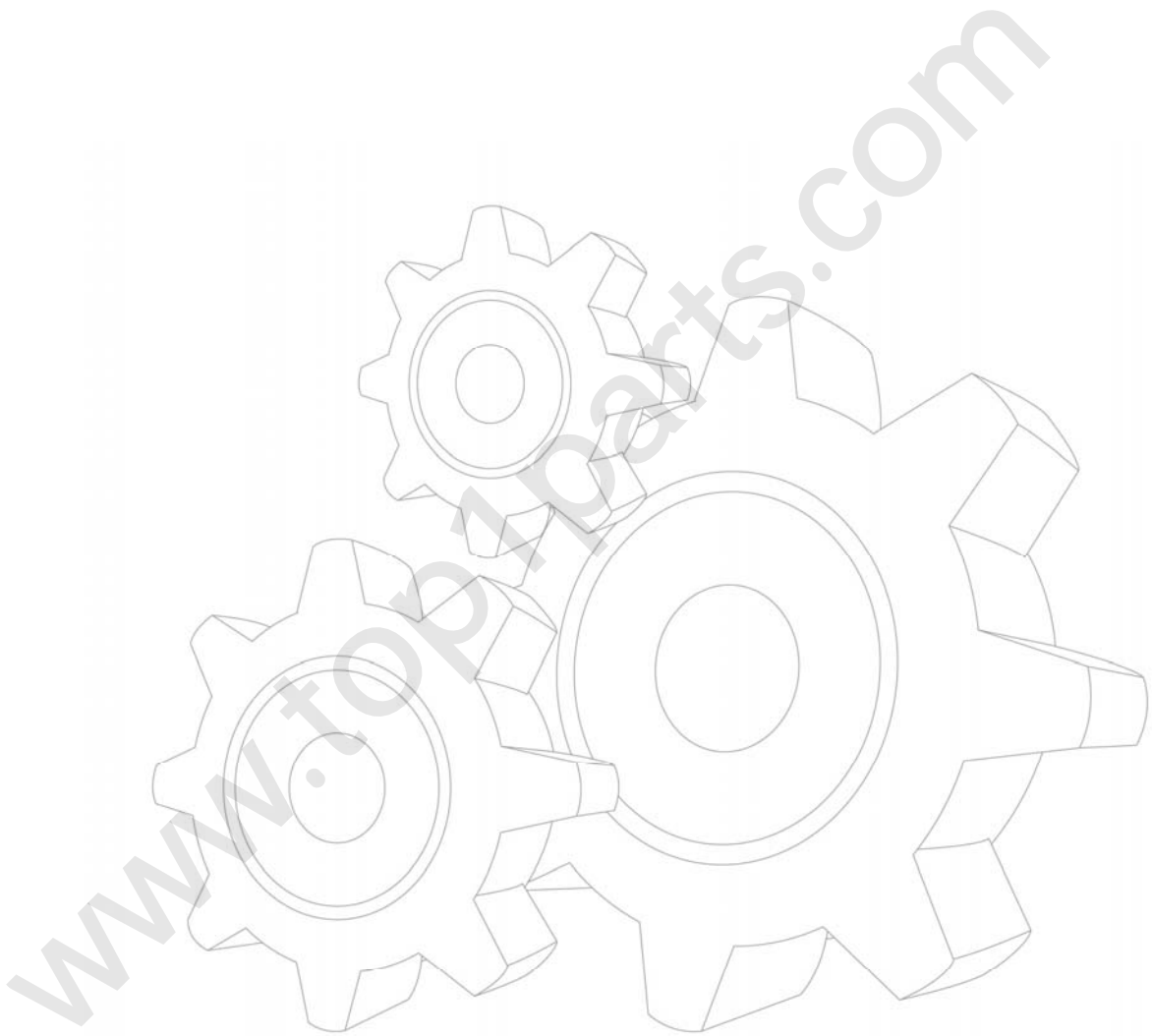




SQ5SK2Q 随车起重机备件图
SQ5SK2Q Truck-mounted Crane SPARE PARTS





目次 Contents

前 言.....	II
Preface	III
350400781 随车起重机 SQ5SK2Q loader crane	1
350400243 吊臂总成 Boom assembly	3
基本臂装配 Basic boom assembly.....	5
第一节伸缩臂装配 Boom I extension assembly.....	8
第二节伸缩臂装配 Boom II extension assembly.....	10
350400328 伸缩油缸装配 Telescopic cylinder assembly.....	12
350400190 伸缩油缸 Telescopic cylinder.....	14
350401017 回转机座总成 Slewing base	16
转台总成 Column.....	18
350400209 变幅油缸 Derricking cylinder.....	20
358000440 液压绞车 Hydraulic winch.....	22
机座体总成 Base.....	25
358200044 回转分配器 Slewing distributor.....	27
358100168 回转减速机 Slewing reducer.....	29
350400457 活动支腿总成 Stabilizer extension.....	32
350500189 水平油缸总成 Horizontal cylinder.....	34
350400191 支腿油缸 Leg cylinder.....	36
350400469 操纵系统 Controls for nether vehicle.....	38
351700247 油箱总成 Oil tank.....	40
350401018 液压系统布管图 Hydraulic system layout	42
总页数	52



前 言

衷心感谢您对徐工品牌的信赖和认可并使用徐工生产的SQ5SK2Q随车起重机。

本图册提供了“产品名称”列为备件的结构及装配关系，旨在方便备件工程师和用户对起重机更好的维修和保养。本图册应配合产品使用说明书共同使用，请您严格按照备件图册进行操作、维护，使“产品名称”处于最佳工作状态。

为方便用户备件检索，本图册已将“产品名称”的大型结构件及整体采购件拆分至最小可维修单元，在分解图后附有明细表与所示零件一一对应。其中“产品名称(物料编码)”等无拆分单元，因此本图册未对其进行详尽的分析说明。

另外，本图册未涉及SQ5SK2Q随车起重机内容，相关内容请参阅SQ5SK2Q随车起重机图册。

本备件图册及其它随车技术文件是“产品名称”的组成部分，请在产品寿命期内随车妥善保存，共同作为您使用该“产品名称”的必须依据。

我公司保留随技术改进而不断修订《备件图册》内容的权利，如有变更，恕不另行通知，望各位用户予以理解。

2012年10月第1版



Preface

Firstly, thank you for selecting SQ5SK2Q Truck-mounted Crane designed and manufactured by XCMG.

The aim of supplying the catalogue is to facilitate maintenance and service to the SQ5SK2Q Truck-mounted Crane. It should be used together with operation manual and maintenance manual. Please strictly follow the instructions in operation manual and maintenance manual for operation and maintenance.

There are details for assembly of parts in it, Which large structural parts and integrated parts are disassembled into minor maintenance units. There is a list following each detail for user looking up spare parts. Please refer to carrier spare parts catalogue for contents involved with carrier spare parts.

The manual is an integral part of SQ5SK2Q Truck-mounted Crane. Please keep them handy in the driver's or operator's cab with the supplied technical documents and operate the machine according to instruction in them.

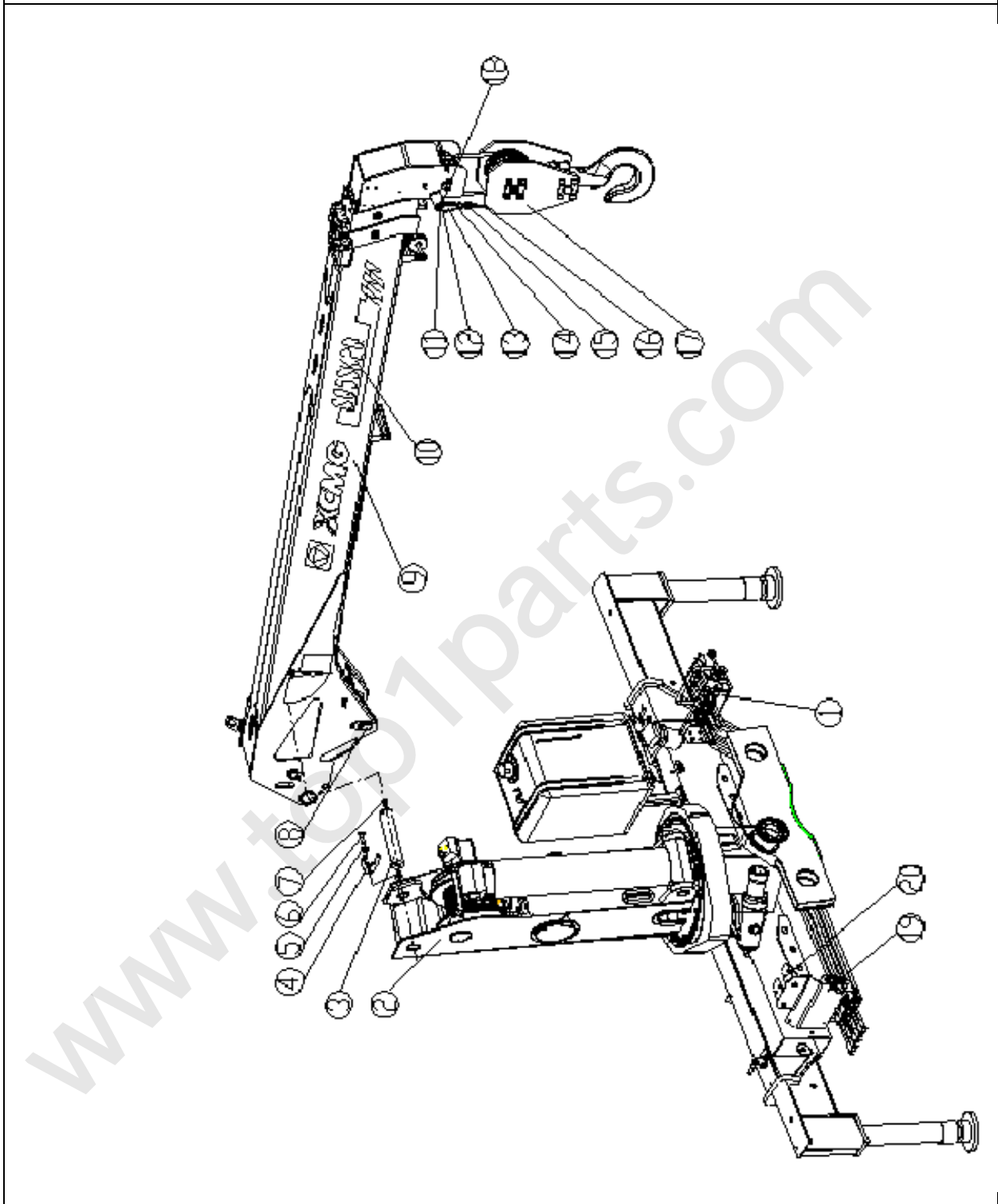
We reserve the right to modify the catalogue for improvement without notice.

10/2012 First Edition

III



350400781 随车起重机 SQ5SK2Q loader crane



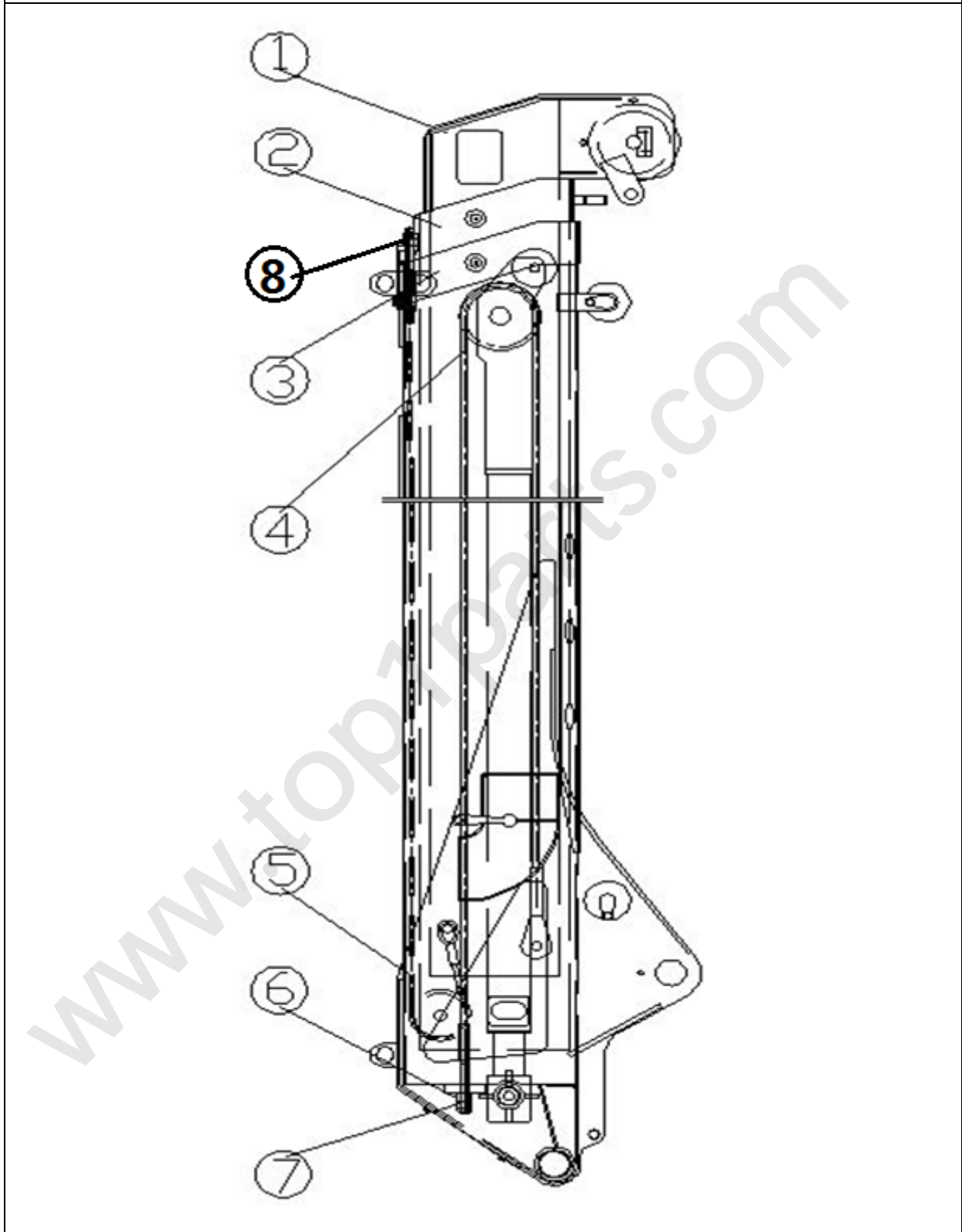


350400781 SQ5SK2Q随车起重机 loader crane

序号 No.	物料代码 Part number	名称 Part Name	推荐数量 Advised Q'ty	备注 Remark
1	350400765	液压系统布管 Hydraulic system tube	1	
2	350400754	回转机座总成 Swivel stand assembly	1	
3	350400009	轴 Shaft	1	
4	359400021	卡板 Clip board	2	
5	805300014	垫圈 10 Cushion ring	2	GB/T93-1987
6	805000043	螺栓 M10x30 Bolt	2	GB/T5783-2000
7	801100336	油杯 M10X1 Oil cup	4	JB/T7940.1-1995
8	350400012	轴 Shaft	1	
9	350400243	吊臂总成 Jib assembly	1	
10	350400404	标识总成 Id assembly	1	
11	350400502	销轴 Pin shaft	1	
12	805600027	销 4x36 Pin	1	
13	350400382	楔套 Wedge cover	1	
14	350400383	楔 Wedge	1	
15	801301588	钢丝绳夹 10KT Rope clamp	1	GB/T5976-2006
16	821532949	阻旋转钢丝绳 11NAT-18X7+FC-1870-ZS Wire rope	1	
17	358900002	吊钩总成 Hook assembly	1	
18	350100579	无线高度限位装置装配 Higeness confine position device	1	
19	800305966	软轴 WJ108×3000 Mild spindle	1	
20	350802275	电气布线 Wiring diagram	1	



350400243 吊臂总成 Boom assembly



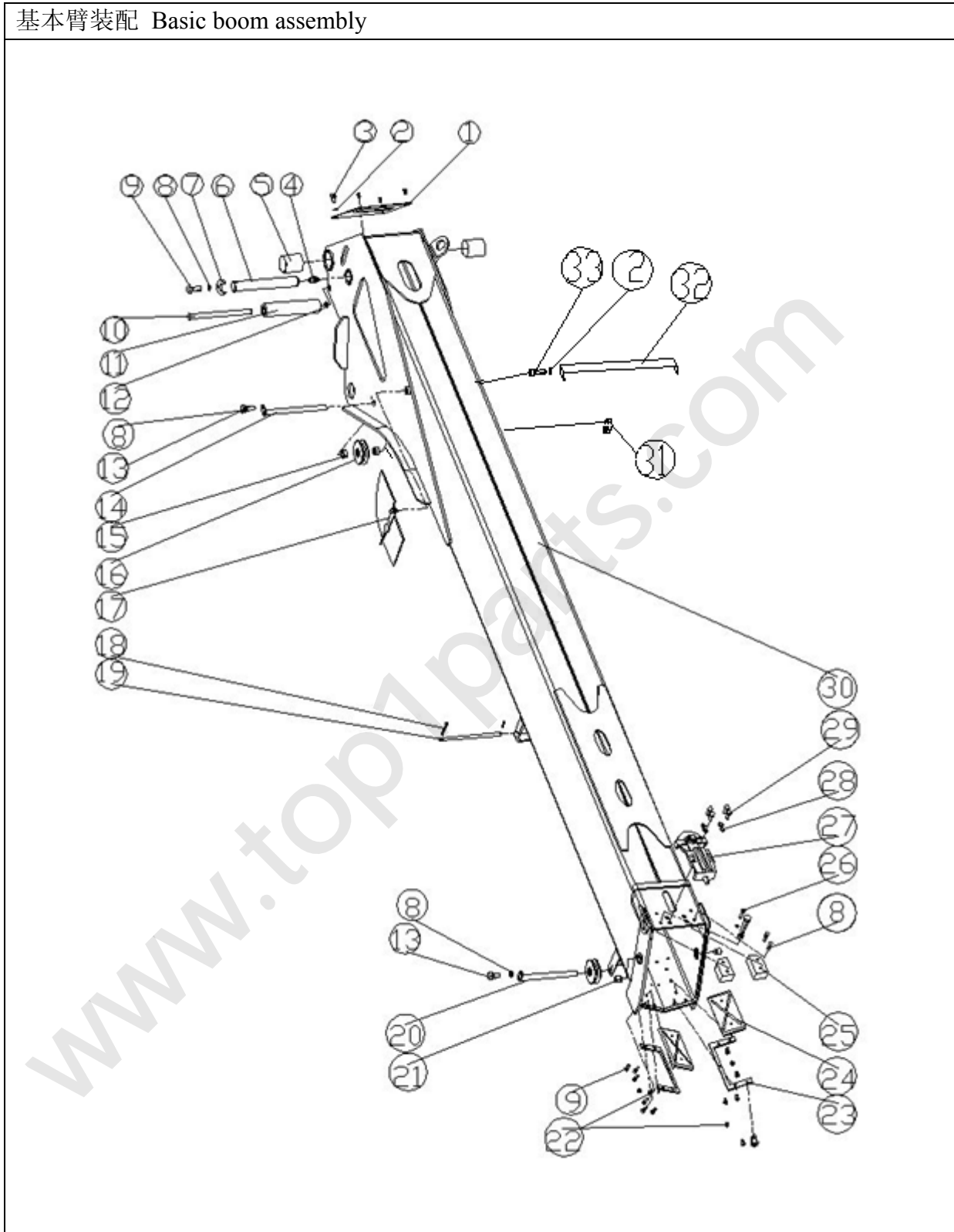


350400243 吊臂总成 Boom assembly

序号 No.	物料代码 Part number	名称 Part Name	推荐数量 Advised Q'ty	备注 Remark
1	350400185	二节伸臂 Telescopic Boom II	1	
2	350400184	一节伸臂 Telescopic Boom I	1	
3	350400397	基本臂 Base boom	1	
4	350400252	拉绳 Dressing rope	2	
5	350400254	缩绳 Retracting rope	1	
6	805200052	螺母 M20 Nut	2	GB/T6170-2000
7	805201501	螺母 M20 Nut	2	GB/T889.1-2000
8	805201504	螺母 M14 Nut	2	GB/T889.1-2000



基本臂装配 Basic boom assembly





基本臂装配 Basic boom assembly

序号 No.	物料代码 Part number	名称 Part Name	推荐数量 Advised Q'ty	备注 Remark
1	350400040	后封 Back cover board	1	
2	805300030	垫圈 6 Cushion ring	8	GB/T93-1987
3	805000008	螺栓 M6X12 Bolt	4	GB/T5783-2000
4	801100336	油杯 M10×1 Oil cup	3	JB/T7940.1-1995
5	800513853	衬套 65X60X70 Bush	2	
6	350400020	轴 Shaft	1	
7	359400019	卡板 Clip board	1	
8	805300010	垫圈 8 Cushion ring	7	GB/T93-1987
9	805005292	螺钉 M8X120 Screw	12	GB/T70.1-2008
10	350500005	销轴 Pin shaft	1	
11	350501335	滚筒 Pulley	1	
12	805400039	挡圈 20 Check ring	1	GB/T894.1-1986
13	805000033	螺栓 M8X16 Bolt	2	GB/T5783-2000
14	350400229	销轴 Pin shaft	1	
15	350400001	尼龙套 Nylon bush	2	
16	350400200	导向轮 Polot wheel	2	
17	350400267	幅度指示器 Radius indicator	1	
18	805603894	销 3.6×22 Pin	2	GB/T91-2000
19	350500690	绳挡 Rope ward	1	
20	350400231	销轴 Pin shaft	1	
21	359400356	支承块 Support block	4	
22	805000322	螺栓 M6X16 Bolt	2	GB/T5783-2000
23	350400042	挡块 II Dog II	2	
24	350400199	滑块 Slide pad	2	
25	350400202	滑块 Slide pad	2	
26	805000089	螺栓 M8X35 Bolt	4	GB/T5783-2000
27	350400247	调节机构 Regulative mechanism	1	
28	805300018	垫圈 12 Cushion ring	4	GB/T93-1987
29	805000715	螺栓 M12X25 Bolt	4	GB/T5783-2000
30	350400397	基本臂 Base boom	1	



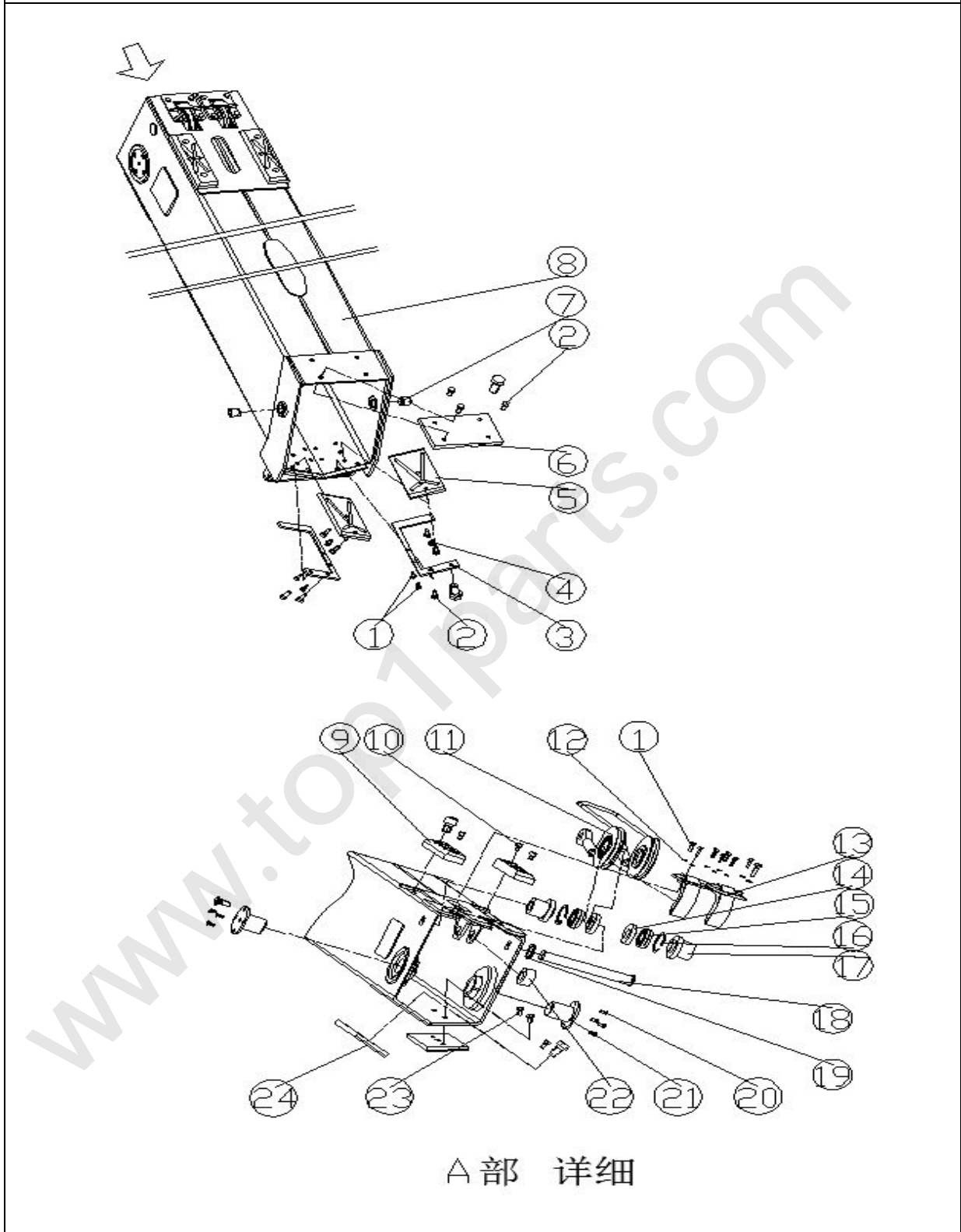
350401018 液压系统布管图 Hydraulic system layout

序号 No.	物料代码 Part number	名称 Part Name	推荐数量 Advised Q'ty	备注 Remark
31	350401911	尼龙套 Nylon bush	1	
32	350501668	绳档 Rope ward	1	
33	805100309	螺钉 M6×16 Screw	4	GB/T70.1-2008

www.top1parts.com



第一节伸缩臂装配 Boom I extension assembly



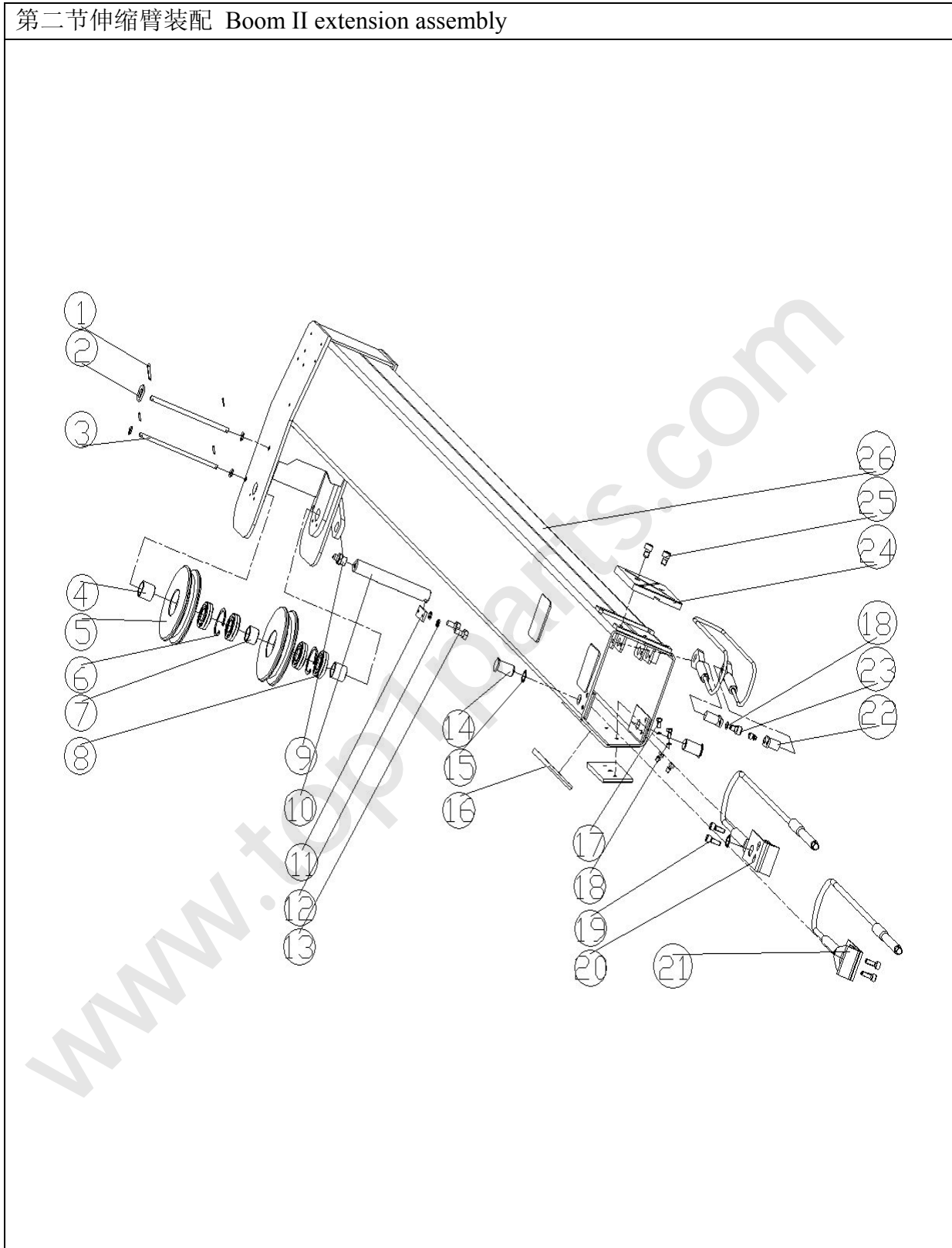


第一节伸缩臂装配 Boom I extension assembly

序号 No.	物料代码 Part number	名称 Part Name	推荐数量 Advised Q'ty	备注 Remark
1	805000322	螺栓 M6X16 Bolt	12	GB/T5783-2000
2	805005292	螺钉 M8X120 Screw	12	GB/T70.1-2008
3	350400041	挡块 I Dog I	2	
4	801100336	油杯 M10X1 Oil cup	2	JB/T7940.1-1995
5	350400201	滑轮 Pulley	2	
6	350400203	螺母 M10 Bolt	1	GB/T6170-2000
7	359400356	支撑块 Support block	2	
8	350400184	一节伸臂 Telescopic Boom I	1	
9	350400197	滑块 Slide pad	2	
10	805100314	螺钉 M8X16 Screw	4	GB/T70.1-2008
11	350400029	滑轮 Pulley	2	
12	805300030	垫圈 6 Cushion ring	8	GB/T93-1987
13	350400050	档绳架 Ward off rope shelf	2	
14	350400232	轴套 Shaft sleeve	2	
15	800500310	圆柱滚子轴承 NUP205E Bearing	2	GB/T283-1994
16	805400065	挡圈 52 Check ring	2	GB/T893.1-1986
17	350400018	轴套 Shaft sleeve	2	
18	350400010	销轴 Pin shaft	1	
19	805400001	挡圈 25 Check ring	1	GB/T894.1-1986
20	805102983	螺钉 M6X12 Screw	8	GB/T5783-2000
21	350400019	销轴 Pin shaft	2	
22	350400034	轴套 Shaft sleeve	1	
23	805100101	螺钉 M8X12 Screw	4	GB/T70.1-2008
24	350400204	滑块 Slide pad	2	



第二节伸缩臂装配 Boom II extension assembly



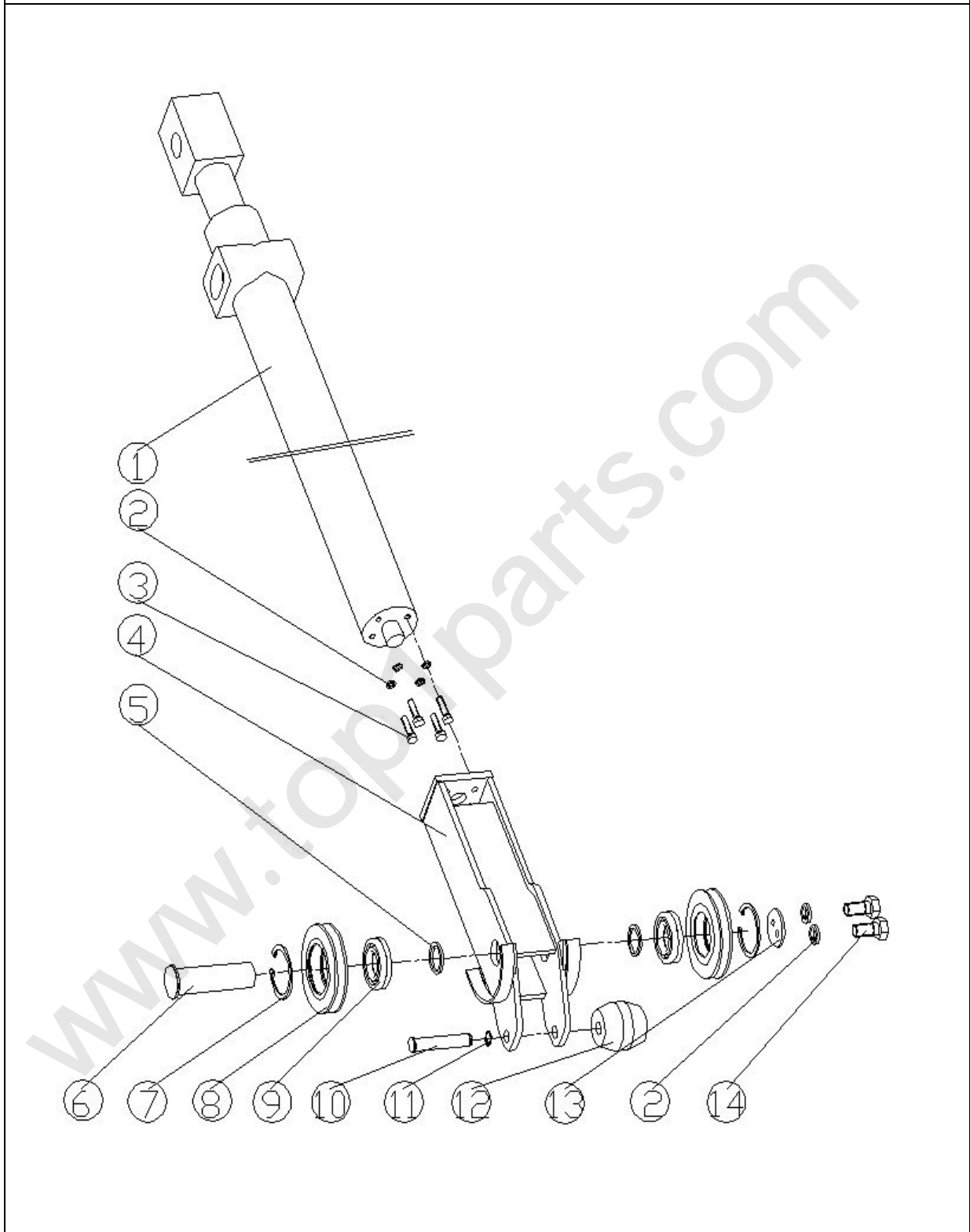


第二节伸缩臂装配 Boom II extension assembly

序号 No.	物料代码 Part number	名称 Part Name	推荐数量 Advised Q'ty	备注 Remark
1	805600122	销 3X25 Pin	4	GB/T91-2000
2	805300014	垫圈 10 Cushion ring	4	GB/T93-1987
3	350400054	绳挡 Rope ward	2	
4	350400015	隔套 Sepeart bush	2	
5	350200250	滑轮 Pulley	2	
6	800513316	挡圈 62 Check ring	2	GB/T893.5-1986
7	350400014	隔套 Seperate bush	1	
8	800513879	轴承 NUP6206 Bearing	4	GB/T276-1994
9	801100336	油杯 M10X1 Oil cup	1	JB/T7940.1-1995
10	350400016	轴 Shaft	1	
11	350400039	挡板 Baffle plate	1	
12	805300030	垫圈 6 Cushion ring	2	GB/T93-1987
13	80500008	螺栓 M6X12 Bolt	2	GB/T5783-2000
14	350400017	销轴 Pin shaft	2	
15	805400039	挡圈 20 Check ring	2	GB/T894.1-1986
16	3504000198	滑块 Slide pad	2	
17	805100101	螺钉 M8X12 Screw	4	GB/T70.1-2008
18	805300010	垫圈 8 Cushion ring	6	GB/T93-1987
19	805000068	螺栓 M10X16 Bolt	4	GB/T5783-2000
20	350400142	右支架 Right support	1	
21	350400141	左支架 Left support	1	
22	350400230	销轴 Pin shaft	2	
23	805005292	螺钉 M8X120 Screw	2	GB/T70.1-2008
24	350500163	滑块 Slide pad	1	
25	805100101	螺钉 M8X12 Screw	4	GB/T70.1-2008
26	350400185	二节伸臂 Telescopic boom II	1	



350400328 伸缩油缸装配 Telescopic cylinder assembly



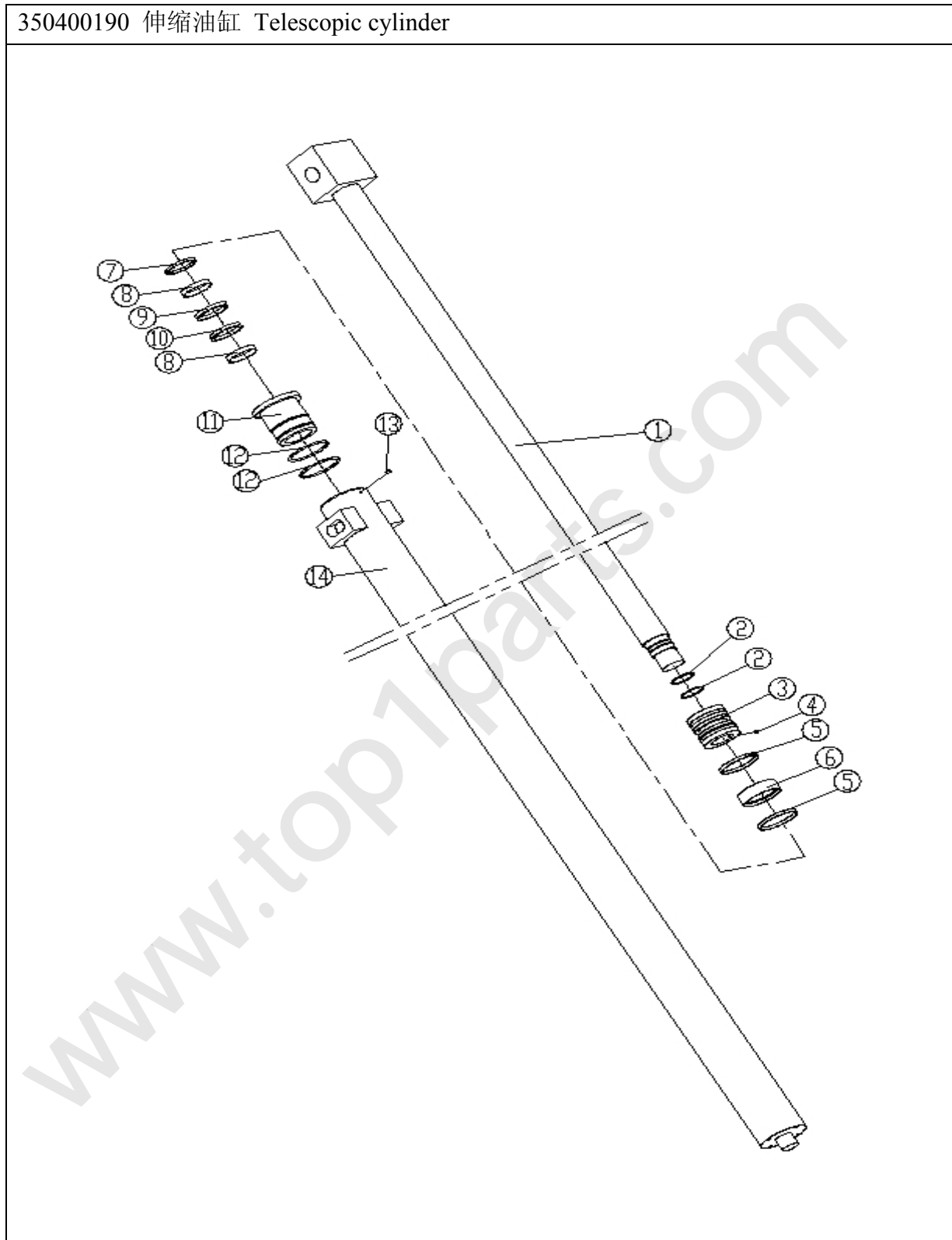


350400328 伸缩油缸装配 Telescopic cylinder

序号 No.	物料代码 Part number	名称 Part Name	推荐数量 Advised Q'ty	备注 Remark
1	350400190	伸缩油缸 Telescopic cylinder	1	
2	805300014	垫圈 10 Cushion ring	5	GB/T93-1987
3	805005296	螺钉 M10X140 Screw	4	GB/T70.1-2008
4	350400260	缸头支架 Bracket	1	
5	350400035	垫片 Cushion	2	
6	350400011	轴 Shaft	1	
7	805400061	挡圈 80 Cushion ring	2	GB/T893.1-1986
8	350400259	滑轮 Pulley	2	
9	800513691	滚动轴承 NUP208E Bearing	2	GB/T283-2007
10	350400024	销轴 Pin shagt	1	
11	805400039	挡圈 20 Check ring	1	GB/T894.1-1986
12	350400205	滚轮 Idler wheel	1	
13	350400132	垫片 Cushion ring	1	
14	805000714	螺栓 M10X20 Bolt	1	GB/T5783-2000



350400190 伸缩油缸 Telescopic cylinder



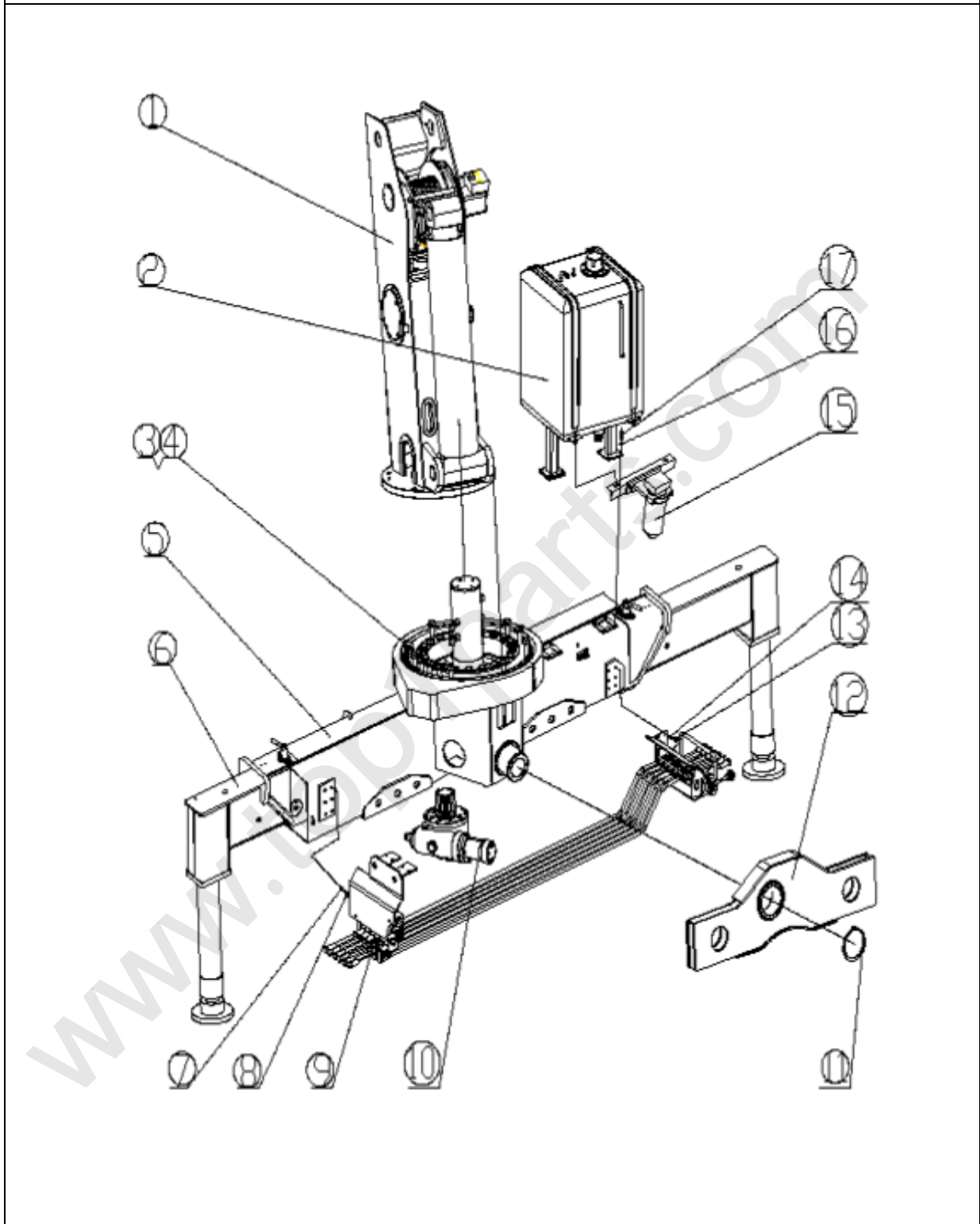


350400190 伸缩油缸 Telescopic cylinder

序号 No.	物料代码 Part number	名称 Part Name	推荐数量 Advised Q'ty	备注 Remark
1	—	活塞杆 Piston rod	1	
2	—	O 型圈 70X3.1 O-ring	2	
3	—	活塞 Piston	1	
4	—	紧定螺钉 M8X10 Tightness screw	1	GB/T6170
5	—	孔用支撑环 D120X15-2.5 Support ring	2	
6	—	组合封 D120X85X22.4X6.35 Assembled seal	1	
7	—	防尘圈 100X110X6.8X5.3 Dustproof ring	1	
8	—	轴用支撑环 d100X10-2.5 Support ring	2	
9	—	轴用密封圈 d100X115X9 Seal ring	1	
10	—	阶梯封 d100X115.1X6.3 Ladder seals	1	
11	—	导向套 Pilot bush	1	
12	—	O 型圈 120X3.1 O-ring	2	
13	—	紧定螺钉 M8X15 Tightness screw	1	GB/T65-2000
14	—	缸体 Cylinder	1	



350401017 回转机座总成 Slewing base



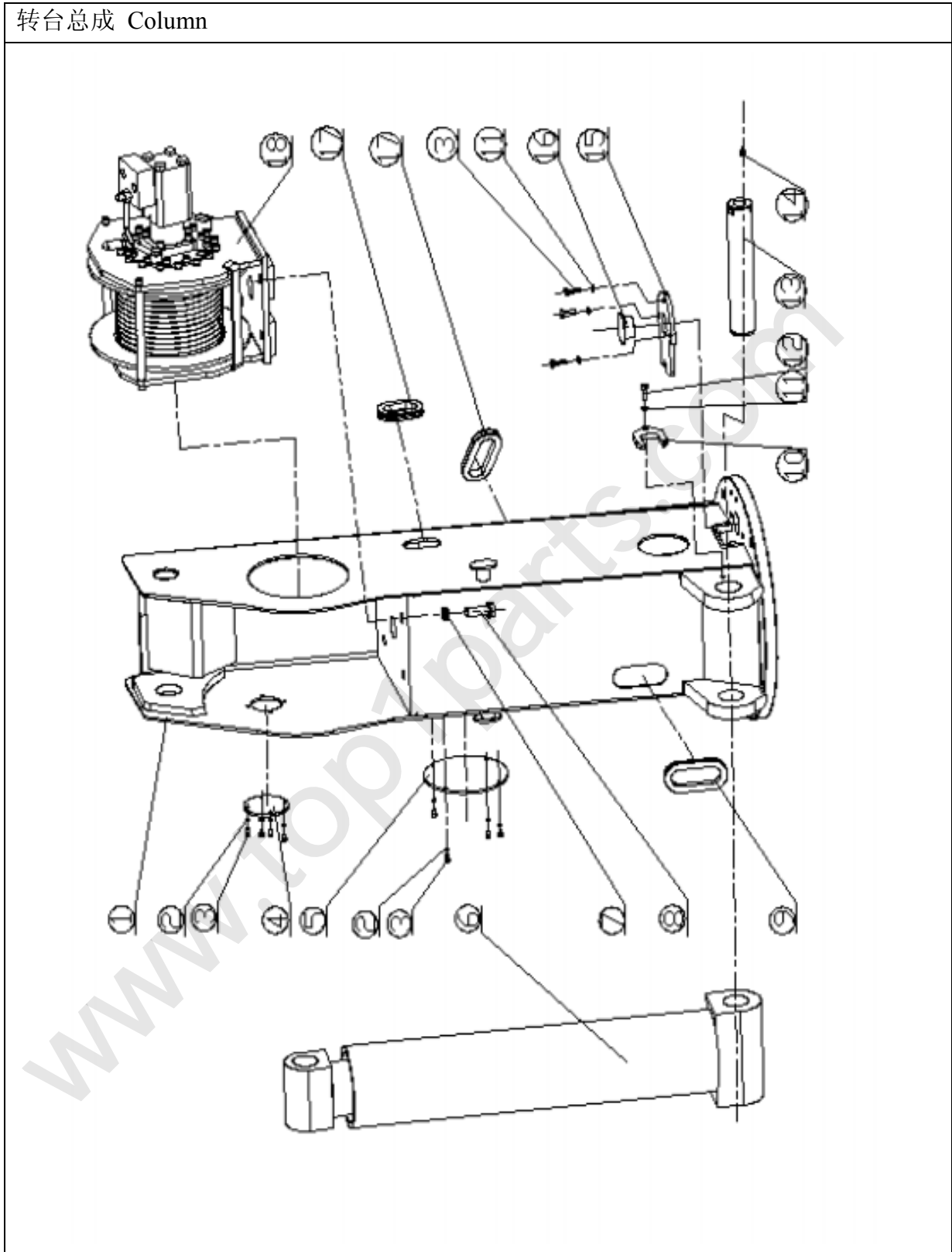


350401017 回转机座总成 Slewing base

序号 No.	物料代码 Part number	名称 Part Name	推荐数量 Advised Q'ty	备注 Remark
1	350400763	转台 Column	1	
2	351700247	液压油箱总成 Hydraulic oil tank	1	
3	805300023	垫圈 20 Cushion ring	20	GB/T93-1987
4	805001977	螺栓 M20X100 Bolt	20	GB/T5782-2000
5	350400755	机座体 Base	1	
6	350400457	活动支腿 Stabilizer extension	2	
7	805300030	垫圈 6 Cushion ring	6	GB/T93-1987
8	805000322	螺栓 M6X16 Bolt	6	GB/T5783-2000
9	350400469	操纵系统 Control system	1	
10	358100168	回转减速机 Slewing reducer	1	
11	805400093	轴用弹性挡圈 120 Check ring	1	GB/T894.1-1986
12	350400456	支架 Bracket	1	
13	805000018	螺栓 M8X20 Bolt	6	GB/T5783-2000
14	805300010	垫圈 8 Cushion ring	6	GB/T93-1987
15	351700393	回油滤油器安装 Oil filter	1	
16	805300014	垫圈 10 Cushion ring	8	GB/T93-1987
17	805000727	螺栓 M10X25 Bolt	8	GB/T70.1-2008



转台总成 Column



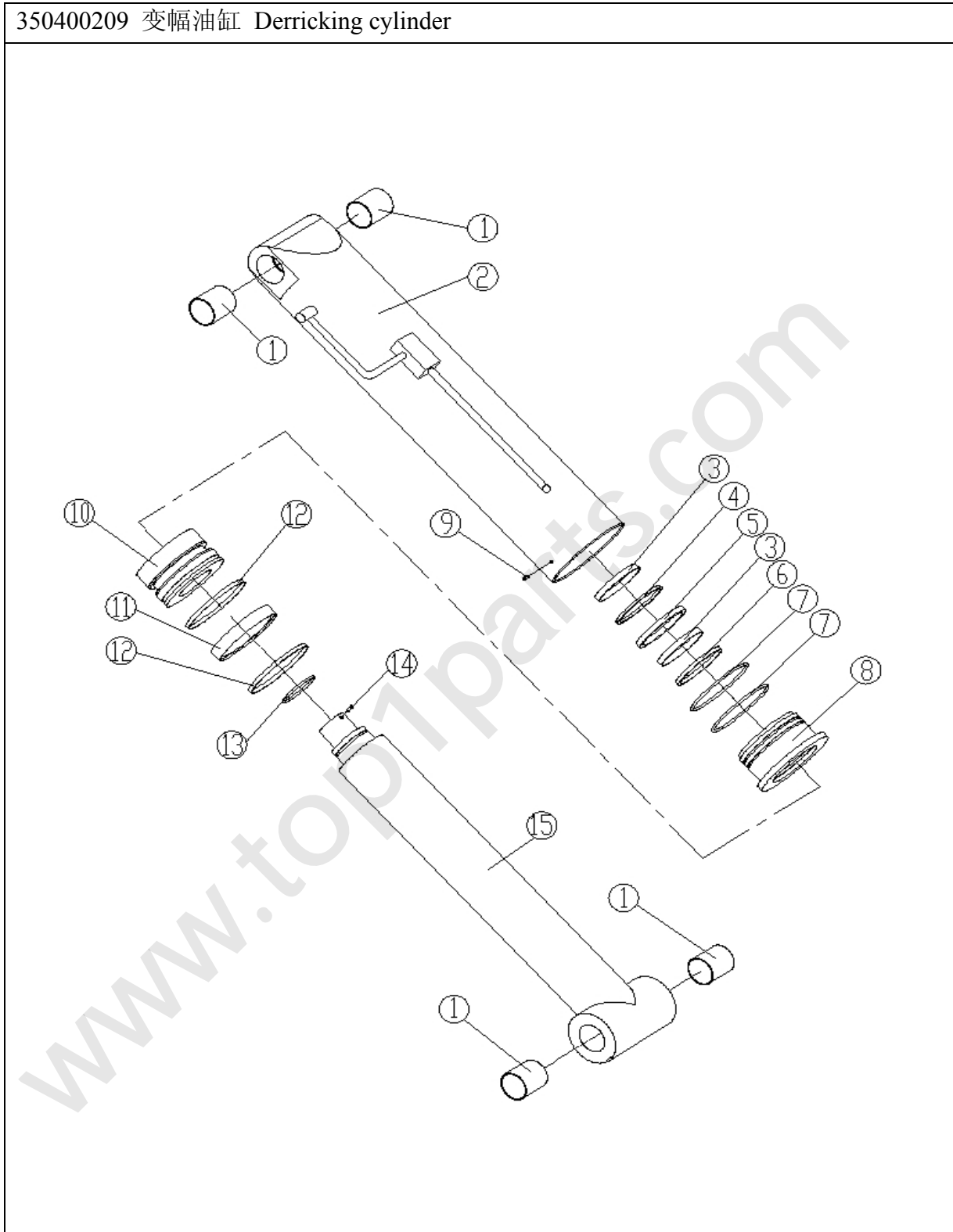


转台总成 column

序号 No.	物料代码 Part number	名称 Part Name	推荐数量 Advised Q'ty	备注 Remark
1	353600038	转台结构 Column	1	
2	805300030	垫圈 6 Cushion ring	4	GB/T93-1987
3	805102982	螺钉 M6X10 Screw	4	GB/T70.1-2008
4	350500044	盖板 Cover board	1	
5	350400045	盖板 Cover board	1	
6	350400209	变幅油缸 Derricking cylinder	1	
7	805300023	垫圈 20 Cushion ring	4	GB/T93-1987
8	805000572	螺栓 M20X55 Bolt	4	GB/T5783-2000
9	359400086	橡胶套 Rubber bush	1	
10	359400021	卡板 Clip board	1	
11	805300014	垫圈 10 Cushion ring	1	GB/T93-1987
12	805000043	螺栓 M10×30 Bolt	1	GB/T5783-2000
13	350400043	轴 Shaft	1	
14	801102884	油杯 M10X1 Oil cup	1	GB/T7940.1-1995
15	350400038	拨叉 Fork	1	
16	359400092	盖子 Cover	1	
17	359400347	橡胶套 Rubber bush	2	
18	358000428	液压绞车总成 Hydraulic winch	1	



350400209 变幅油缸 Derricking cylinder



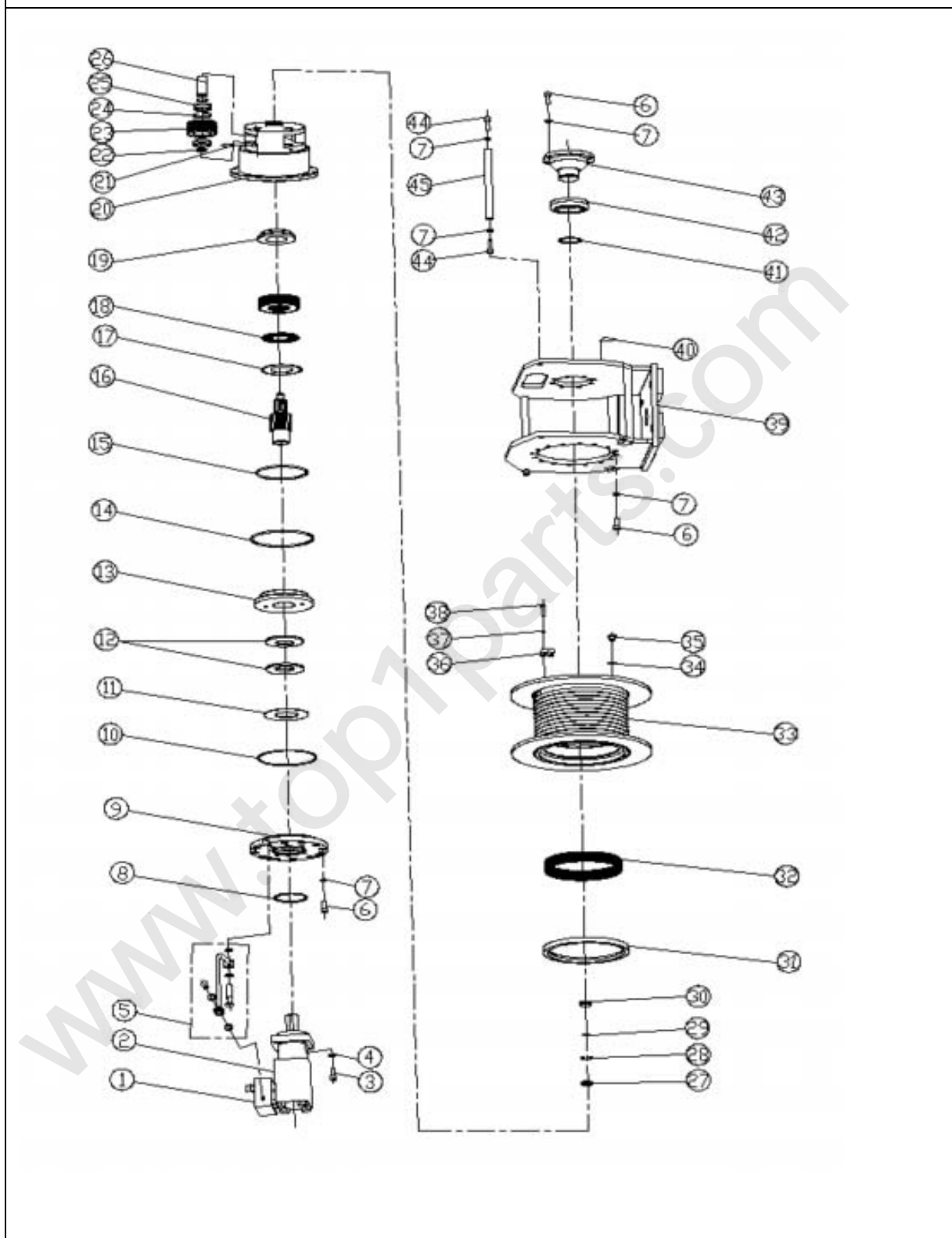


350400209 变幅油缸 Derricking cylinder

序号 No.	物料代码 Part number	名称 Part Name	推荐数量 Advised Q'ty	备注 Remark
1	—	无油轴套 Φ90XΦ95-100 Shaft bush	4	
2	—	缸筒 Canister	1	
3	—	轴用支撑环 d160X14.7-2.5 Support ring	2	
4	—	阶梯封 d160X175.5-6.3 Ladder seal	1	
5	—	轴用密封圈 d160X185-17 Seal ring	1	
6	—	防尘圈 d160X175-5/11 Dustproof ring	1	
7	—	O 型圈 220X5.7 O-ring	2	
8	—	导向套 Pilot bush	1	
9	—	螺钉 M10X12 Screw	1	
10	—	活塞 Piston	1	
11	—	组合封 D220X195-50.8 Assembled seal	1	
12	—	挡圈 D220X211-2 Check ring	2	
13	—	O 型圈 130X5.7 O-ring	1	
14	—	螺钉 M8X10 Screw	1	
15	—	活塞杆 Piston rod	1	



358000440 液压绞车 Hydraulic winch





358000440 液压绞车 Hydraulic winch

序号 No.	物料代码 Part number	名称 Part Name	推荐数量 Advised Q'ty	备注 Remark
1	803007863	平衡阀 Balance valve	1	CBPA-B-OMS-C1
2	803007697	马达 Motor	1	BMS-200PAY
3	805100039	螺钉 M12X30 Screw	4	GB/T70.1
4	805300018	垫圈 12 Gasket	4	GB/T93
5	358000171	油管 Oil tube	1	
6	805100036	螺钉 M10X25 Screw	12	GB/T70.1
7	805300014	垫圈 10 Gasket	20	GB/T93
8	803175865	O形圈 82.5X3.55 O-ring	1	C92
9	358000422	端盖 Cover	1	
10	803174912	O形圈 154X3 O-ring	1	EKM
11	358000097	调整垫 Adjustable cushion	1	
12	801702765	碟簧 100×51×6×8.2 Dish spring	2	GB/T1972
13	358000095	活塞 Piston	1	
14	803175192	O形圈 160X5 O-ring	1	EKM
15	803174892	O形圈 130X5 O-ring	1	EKM
16	358000129	太阳轮 Sun wheel	1	
17	358000410	摩擦静片 Static plate	9	
18	358000411	摩擦动片 Dynamic plate	8	
19	358000146	挡板 Baffle	1	
20	358000127	筒芯 Roller- shaft	1	
21	805005064	螺钉 M6X20 Screw	3	GB/T79
22	358000132	行星垫 Planet gasket	6	
23	358000102	行星轮 Planet wheel	3	
24	805400037	挡圈 47 Baffle	3	GB/T893.1
25	800513736	轴承 32005 Bearing	6	GB/T297
26	358000120	行星轴 Planet shaft	3	
27	800513904	轴承 NA4904 Bearing	1	GB/T5801
28	805403048	挡圈 37 Baffle	1	GB/T893.1
29	805400039	挡圈 20 Baffle	1	GB/T894.1
30	358000425	顶塞 Plug	1	
31	803175109	油封 200X230X15 Oil seal	1	SN70-TC
32	800513751	滚针 P4X29.8 Roll needle	160	GB/T309
33	358000441	筒体组件 Cylinder	1	
34	801903029	密封垫 16X20 Sealed cushion	3	JB/ZQ4454

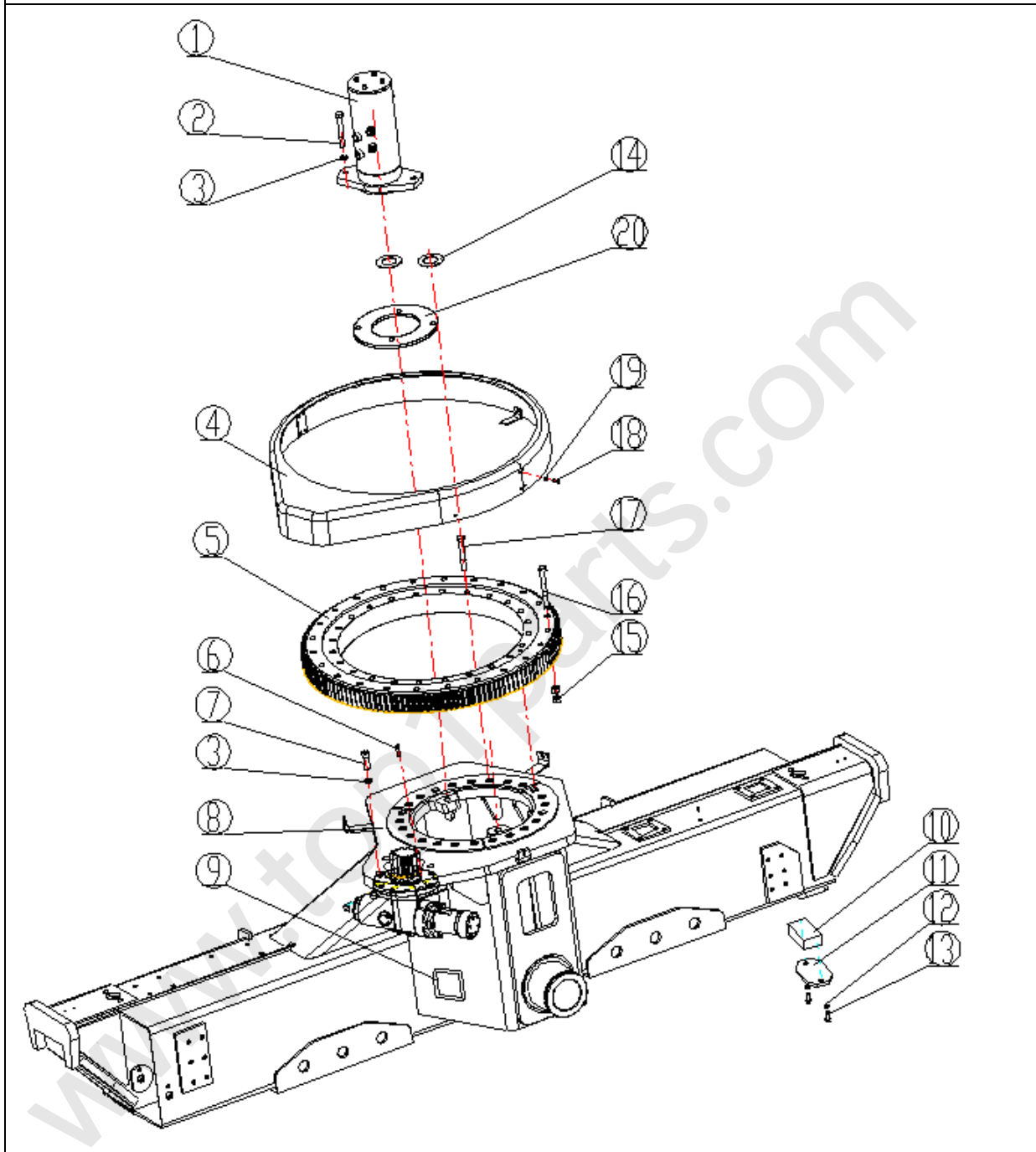


358000428 液压绞车 Hydraulic winch

序号 No.	物料代码 Part number	名称 Part Name	推荐数量 Advised Q'ty	备注 Remark
35	803174310	螺塞 M16X1.5 Screw thread plug	3	JB/ZQ4444
36	358000243	压板 Press board	1	
37	805300030	垫圈 6 Gasket	4	GB/T93
38	805100058	螺钉 M6X30 Screw	4	GB/T70.1
39	358000032	支架总成 Bracket	1	
40	358000245	起升减速机标牌 Label	1	
41	805400034	挡圈 55 Baffle	1	GB/T894.1
42	800513662	轴承 6211-Z Bearing	1	GB/T276
43	358000123	端盖 Cover	1	
44	805103872	螺钉 M10X30 Screw	4	GB/T70.1
45	358000435	连接轴 Couplet	2	



机座体总成 Base



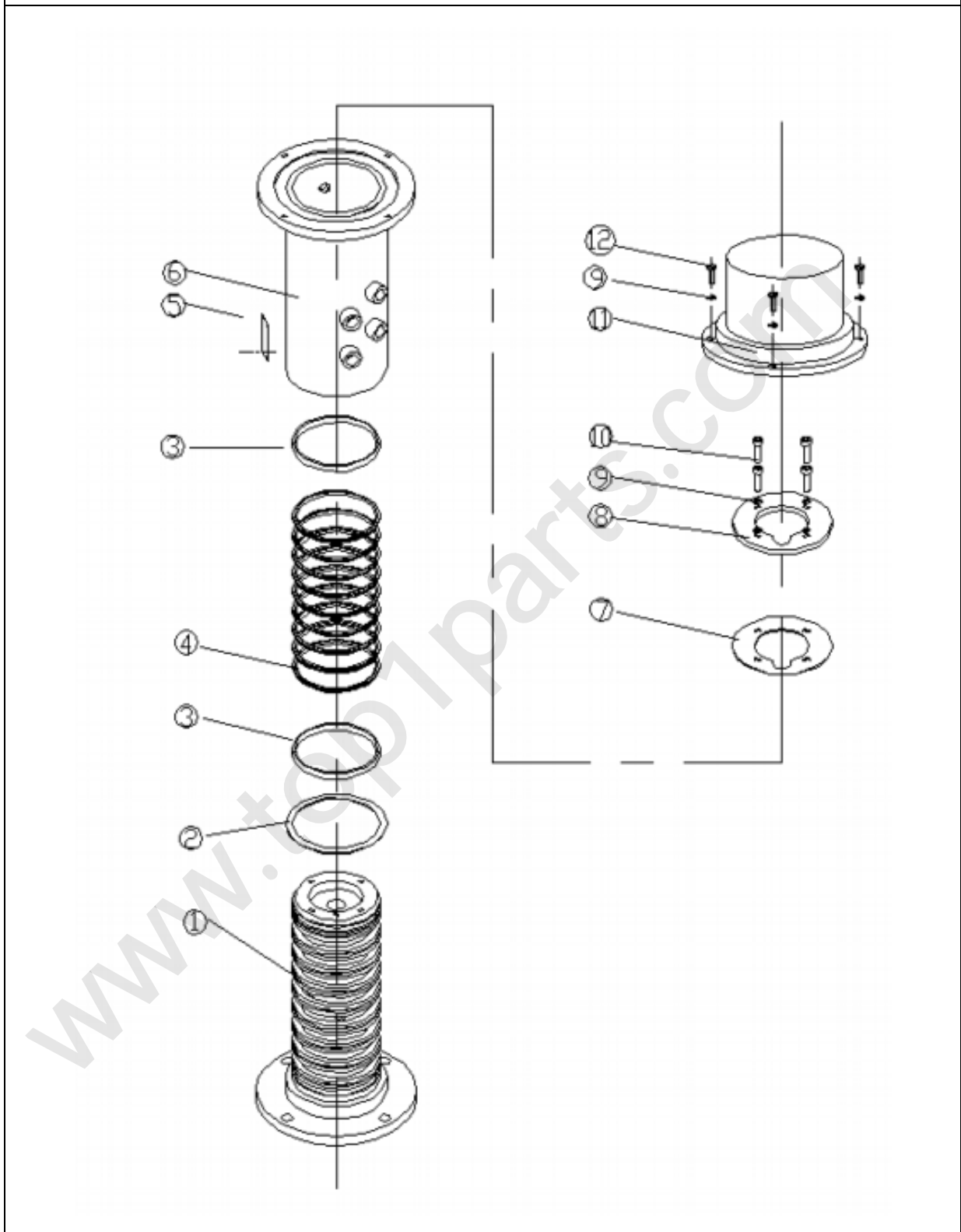


机座体总成 Base

序号 No.	物料代码 Part number	名称 Part Name	推荐数量 Advised Q'ty	备注 Remark
1	358200044	回转分配器 Slewing distributor	1	
2	805000051	螺栓M16×40 Bolt	4	GB/T5783-2000
3	805300011	垫圈16 Cushion ring	8	GB/T93-1987
4	350400389	防尘罩总成 Dustproof cover	1	
5	800513790	回转支承 QWC425.28 Slewing bearing	1	
6	805603534	销6×40 Pin	2	
7	805100298	螺钉M16×45 Screw	5	GB/T70.1-2008
8	350400755	机座体 Base	1	
9	359400089	橡胶套 Rubber bush	2	
10	350500003	滑块 Slide	2	
11	350400417	挡板 ward board	2	
12	805300014	垫圈10 Cushion ring	6	GB/T93-1987
13	805000043	螺栓M10×30 Bolt	6	GB/T5783-2000
14	841111003	垫片 20 Cushion	2	GB/T93-1987
15	805103972	螺母M16 Nut	48	GB/T6170-2000
16	805000195	螺栓M18×70 Bolt	11	GB/T5783-2000
17	805001905	螺栓M20×100 Bolt	23	GB/T5783-2000
18	805101911	螺钉M6×20 Screw	11	GB/T70.1-2008
19	805200053	螺母M6 Nut	11	GB/T6170-2000
20	350500042	垫板 Padding board	1	GB/T6170-2000



358200044 回转分配器 Slewing distributor





358200044 回转分配器 Slewing distributor

序号 No.	物料代码 Part number	名称 Part Name	推荐数量 Advised Q'ty	备注 Remark
1	358200138	芯 轴 Core shaft	1	
2	358200045	耐磨垫 I Wearable cushion	1	
3	803175084	导向环 120/115X9.7 Pilot ring	2	
4	803175148	旋转密封 120/109X4.2 Rotary seal	8	
5	358200048	标牌 Nameplate	1	
6	358200136	分配体 Distributor	1	
7	358200046	耐磨垫 II Wearable cushion	1	
8	358200047	压板 Cover board	1	
9	805302783	弹簧垫圈 8 Spring cushion	8	GB/T93-1987
10	805000020	螺栓 M8X30 Bolt	4	GB/T70.1-2000
11	358200062	9 路电刷 Brush	1	
12	805000017	螺栓 M8X25 Bolt	4	GB/T5783-2000



358100168 回转减速机 Slewing reducer

序号 No.	物料代码 Part number	名称 Part Name	推荐数量 Advised Q'ty	备注 Remark
1	805100037	螺钉 M8X25 Screw	6	GB/T70.1-2000
2	805300010	弹簧垫圈 8 Spring cushion	6	GB/T93-1987
3	358100034	端盖 Cover	1	HZ040D 00 0 0 14
4	803175201	O型圈 105X3 O-ring	1	EKM
5	805100147	螺钉 M10X40 Screw	1	GB/T70.1-2000
6	805300014	弹簧垫圈 10 Spring cushion	16	GB/T93-1987
7	358100032	压盖 Board	1	HZ040D 00 0 0 12
8	803174310	螺塞 M16X1.5 Thread plug	1	JB/ZQ4444-1997
9	805300026	组合密封 M16 Assembled seal	3	JB/T982-1977
10	358100162	减速机壳体 Reducer shell	1	HZ040D 00 0 0 01
11	805100309	螺钉 M6X16 Screw	8	GB/T5783-2000
12	805300030	弹簧垫圈 6 Spring cushion	8	GB/T93-1987
13	358100028	垫板 Padding board	1	HZ030C 00 0 0 11
14	803174242	骨架油封 35X50X9 Oil seal	1	SN70-TC
15	801103171	油杯 A20 Oil cup	1	JB/T7941.2-95
16	358100135	回转减速机标牌 Scutcheon	1	HZ010C 00 0 0 11
17	358100029	调整垫 Adjustable cushion	1	HZ040D 00 0 0 13
18	800513735	圆锥滚子轴承 32014 Bearing	2	GB/T297-94
19	358100164	蜗轮 Worm wheel	1	HZ040D 10 0 0 00
20	803175854	O型圈 170X3.55 O-ring	1	GB/T3452.1-1992
21	358100163	可通端盖 End cover	1	HZ040D 00 0 0 06
22	805103949	螺钉 M10X18 Screw	12	GB/T70.1-2000
23	805603870	销 10X25 Pin	2	GB/T119.2-2000
24	803174258	骨架油封 55X70X8 Oil seal	1	SN70-TC
25	358100031	压板 Board	1	HZ040 D0 0 0 07
26	358100025	齿轮轴 Gear column	1	HZ040D 00 0 0 09
27	805801300	透气塞 M16X1.5 Air breathed plug	1	
28	805400046	挡圈 35 Baffle	1	GB/T894.1-1987
29	800500206	轴承 6007 Bearing	1	GB/T276-94
30	358100153	蜗杆 Worm	1	HZ030C 00 0 0 02
31	800511514	圆锥滚子轴承 32009 Bearing	2	GB/T297-94

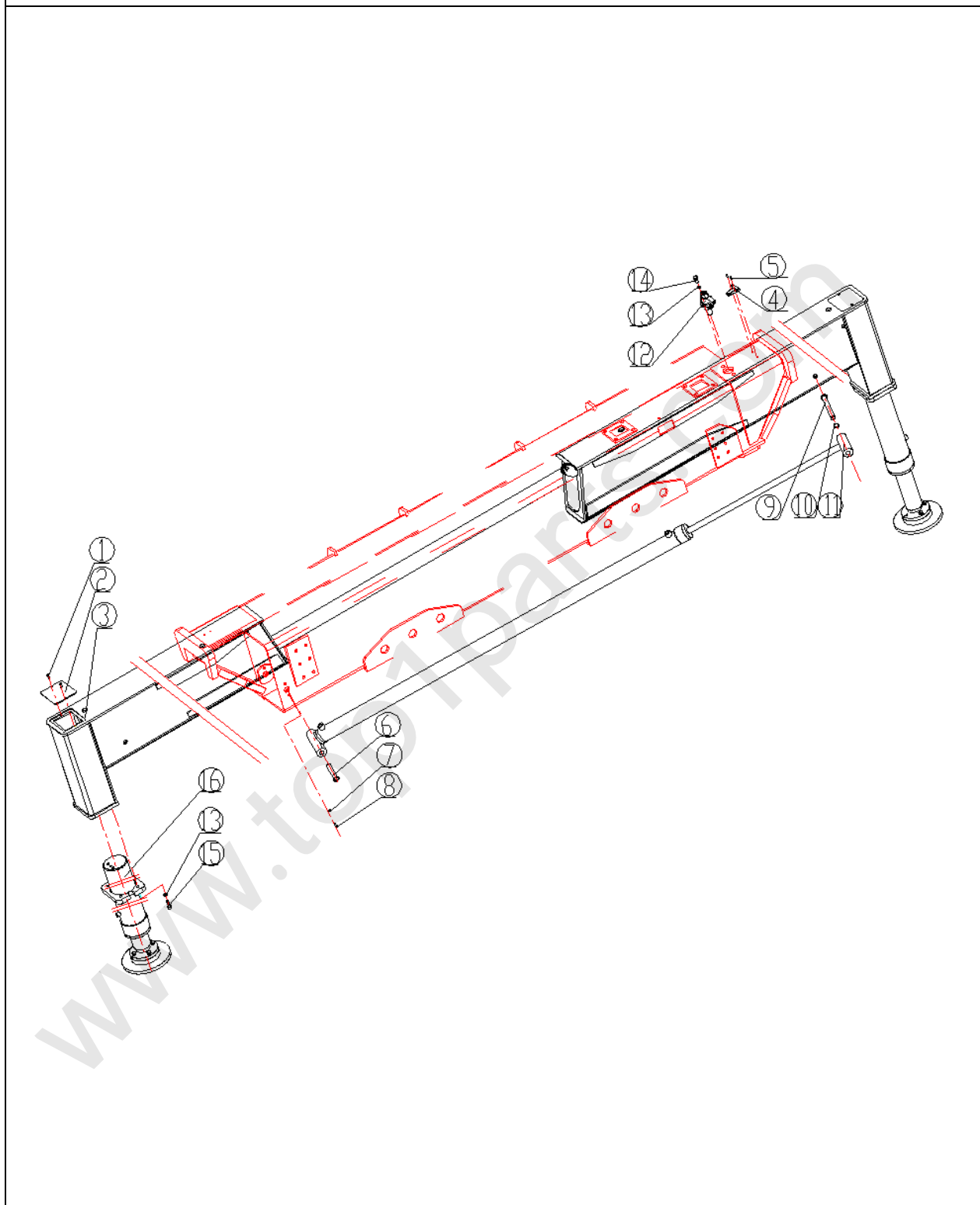


358100168 回转减速机 Slewing reducer

序号 No.	物料代码 Part number	名称 Part Name	推荐数量 Advised Q'ty	备注 Remark
32	358100030	调整垫 Adjustable cushion	1	HZ030C 00 0 0 14
33	358100033	垫片 Cushion	1	HZ030C 00 0 0 13
34	805300169	止动垫圈 42 Stop cushion	1	GB/T812-1988
35	805200204	圆螺母 M42X1.5 Nut	1	GB/T858-1988
36	803174216	O型圈 80X2.0 O-ring	2	EKM
37	358100027	连接套 Transition	1	HZ030C 00 0 0 03
38	803007705	马达 OMR80 Motor	1	OMR
39	805100067	螺钉 M10X55 Screw	4	GB/T5783-2000
40	805701065	键 14X70 Key	1	GB/T1096-79
41	805502345	铆钉 2.5X6 Rivet	4	GB/T87-1986
42	805302803	冻结制锁垫圈 M10 Gasket	1	



350400457 活动支腿总成 Stabilizer extension



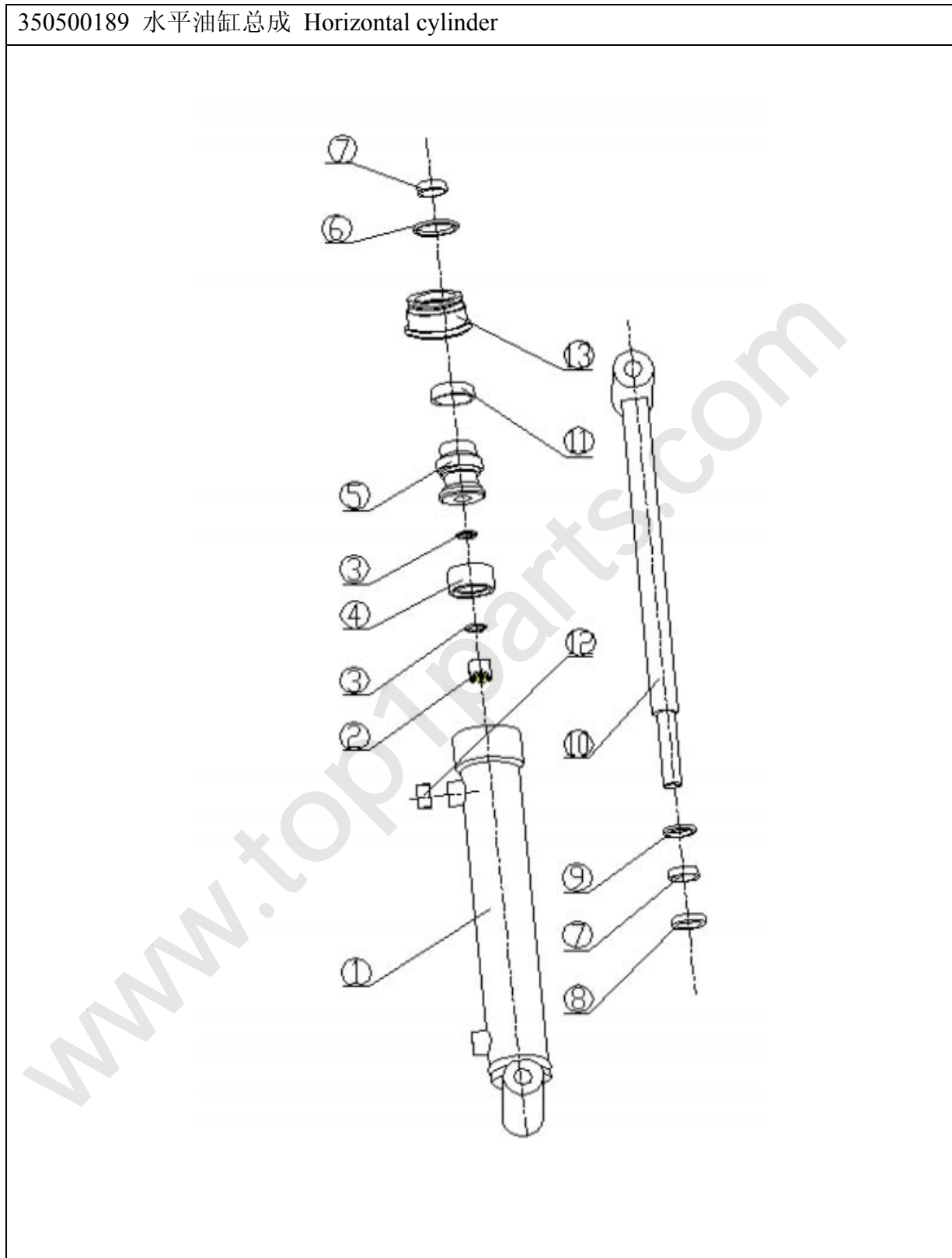


350400457 活动支腿总成 Stabilizer extension

序号 No.	物料代码 Part number	名称 Part Name	推荐数量 Advised Q'ty	备注 Remark
1	805103919	螺钉 M5X10 Screw	1	GB/T819.2-1997
2	350400458	上封板 Up close board	4	
3	350400457	活动支腿 Active leg	6	
4	803505158	水平仪 SS-50 Gradienter	2	
5	805103922	沉头螺钉 M4X12 Screw	4	GB/T819.1-2000
6	350400466	销轴 Pin shaft	1	
7	805300010	垫圈 8 Cushion ring	2	GB/T97.1-2002
8	805000018	螺栓 M8X20 Bolt	2	GB/T5783-2000
9	350500009	销轴 Pin shaft	2	
10	805400039	轴用弹性挡圈 20 Check ring for shaft	2	GB/T894.1-1986
11	350400468	水平支腿油缸 Horizontal leg cylinder	2	
12	359400179	锁紧总成 Lock	2	
13	805300014	垫圈 10 Cushion ring	12	GB/T93-1987
14	805100036	螺栓 M10X25 Bolt	4	GB/T70.1-2000
15	805004827	螺钉 M10X30 Screw	8	GB/T70.1-2000
16	350400191	垂直支腿油缸 Vertical leg cylinder	2	



350500189 水平油缸总成 Horizontal cylinder



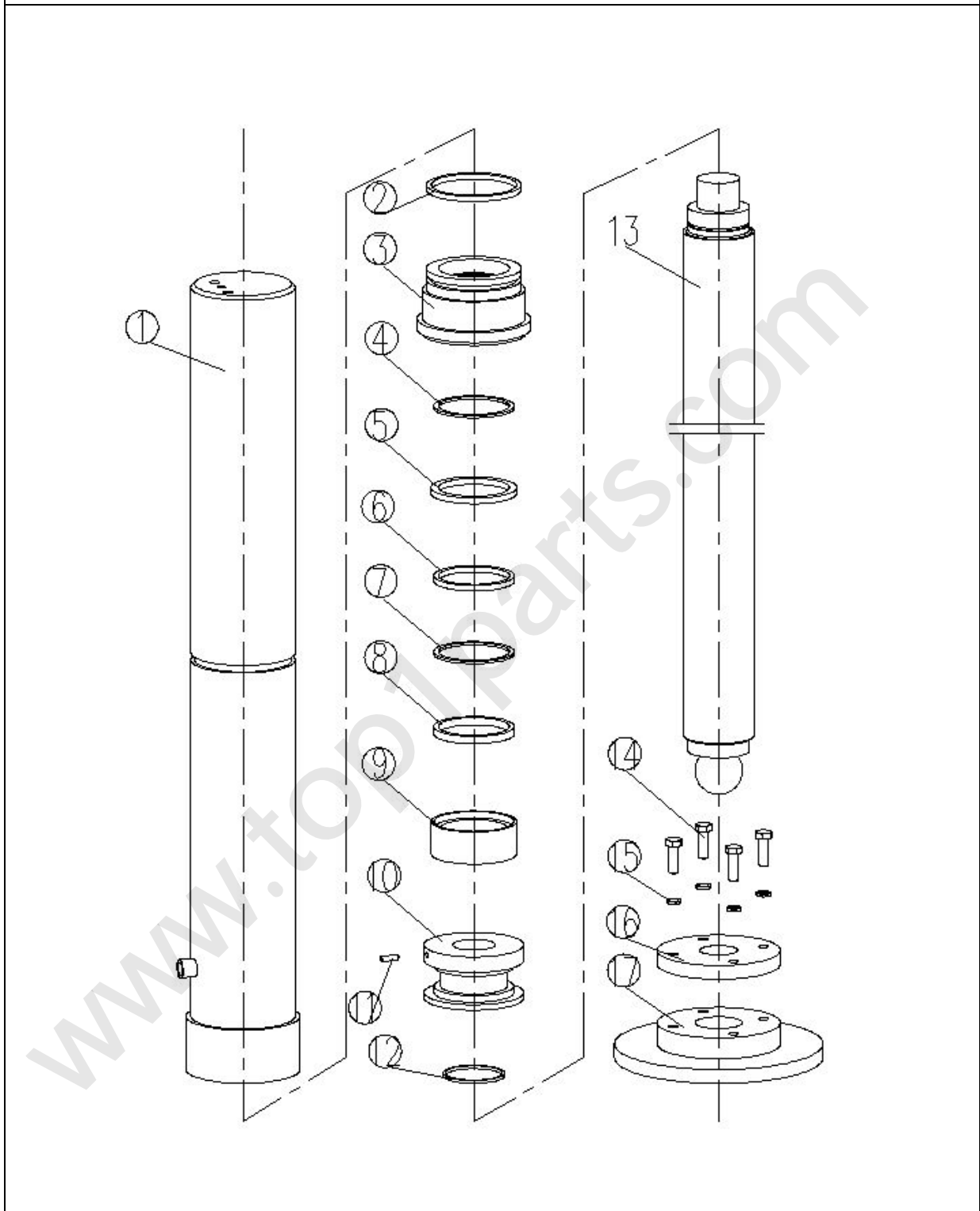


350500189 水平油缸总成 Horizontal cylinder

序号 No.	物料代码 Part number	名称 Part Name	推荐数量 Advised Q'ty	备注 Remark
1	——	缸体 Cylinder body	1	
2	——	尼龙螺母 M16-25 Nylon nut	4	
3	——	O 型圈 24×2.4 O-ring	6	
4	——	组合封 Assembled	3	
5	——	活塞 Piston	1	
6	——	O 型圈 50×3.5 O-ring	1	
7	——	轴用支承环 d28×9.4-2.5 Support ring for shaft	1	
8	——	轴封 D2 28×38-7 Seal for shaft	3	
9	——	防尘圈 28×36-4.5/6.5 Dustproof ring	3	
10	——	活塞杆 Piston pole	6	
11	——	隔套 Separate bush	6	
12	——	油塞 Oil plug	1	
13	——	导向套 Pilot bush	2	



350400191 支腿油缸 Leg cylinder



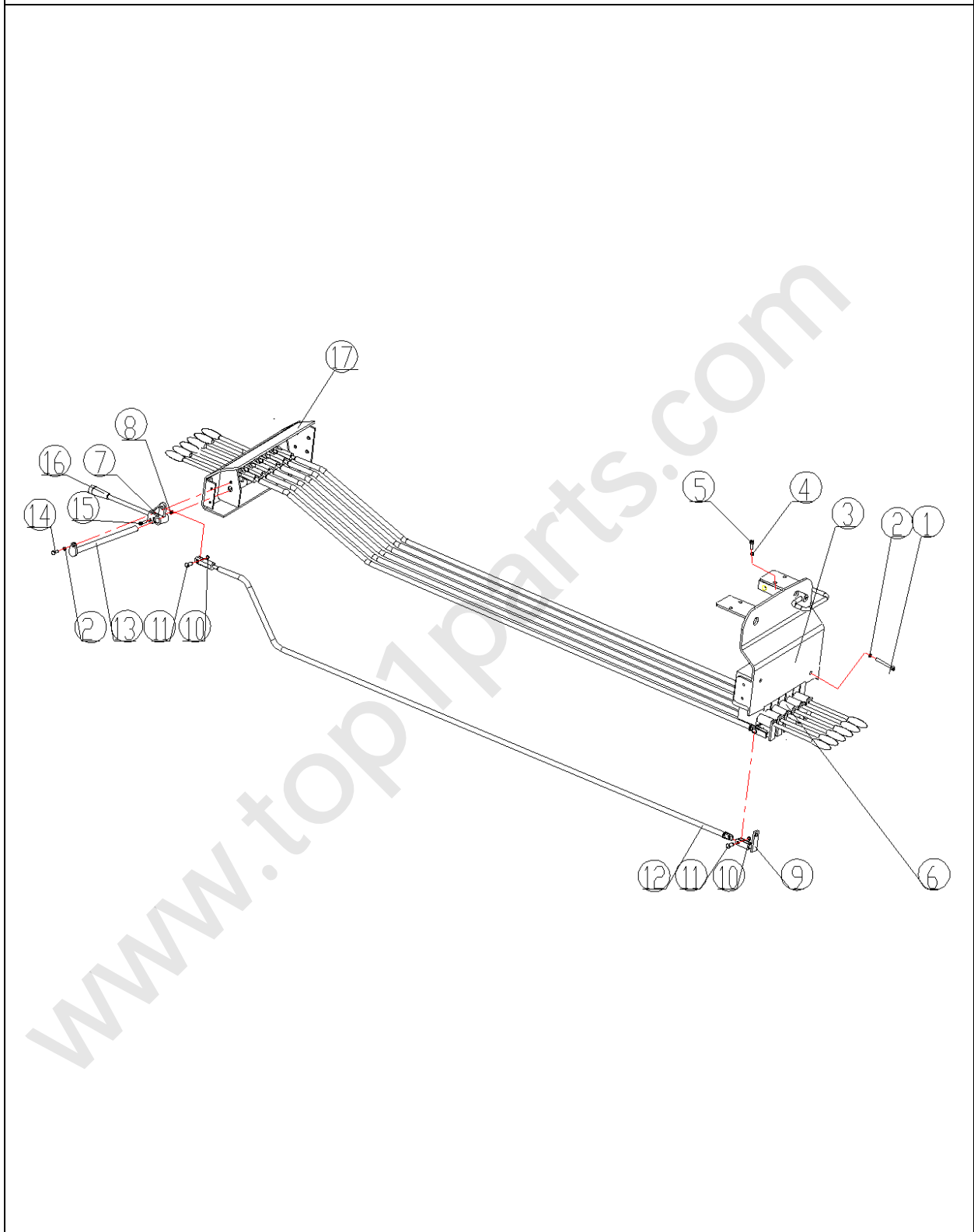


350400191 水平油缸总成 Horizontal cylinder

序号 No.	物料代码 Part number	名称 Part Name	推荐数量 Advised Q'ty	备注 Remark
1	——	缸体 Cylinder body	1	
2	——	O 型圈 85.32X3.53 O-ring	1	
3	——	导向套 Pilot bush	1	
4	——	O 型圈 78.97X53 O-ring	1	
5	——	斯特封 D63X78.5-6.3 Seal	2	
6	——	轴用密封圈 D63×73-6 Sealed ring for shaft	1	
7	——	组合封 D80X60-35.1 Assembled seal	1	
8	——	防尘圈 D63X71-5/6.5 Dustproof ring	1	
9	——	衬套 Cushion	1	
10	——	活塞 Piston	1	
11	——	紧定螺钉 M6X20 Tightness screw	1	GB845
12	——	O 型圈 50X3.1 O-ring	1	
13	——	活塞杆 Piston pole	1	
14	——	内六角螺钉 M10X25 Screw	4	
15	——	弹垫 10 Spring	4	GB/T93-1987
16	——	球头座盖板 Cover board	1	
17	——	球头座 Ball-pedestal	1	



350400469 操纵系统 Controls for nether vehicle



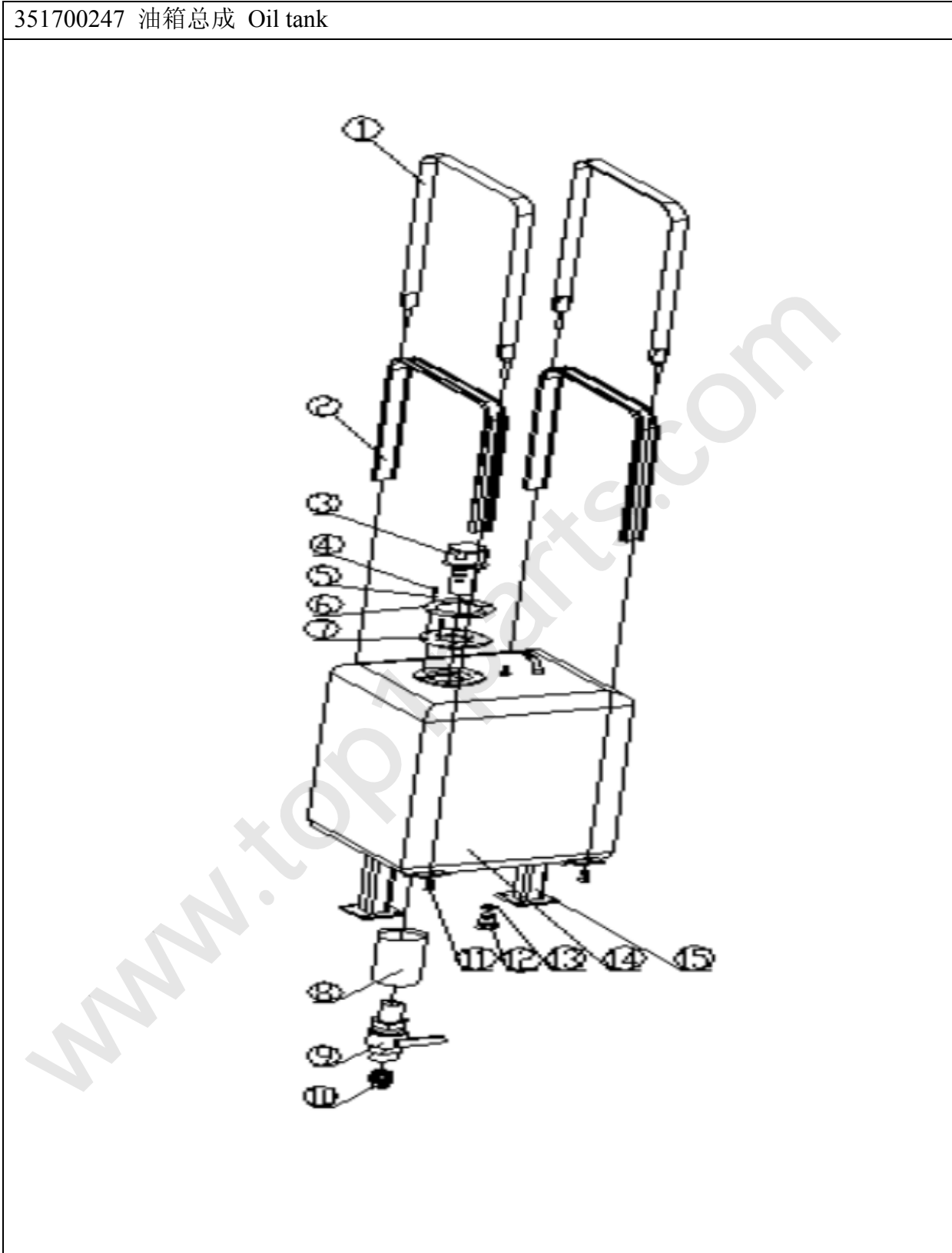


350400469 操纵系统 Controls for nether vehicle

序号 No.	物料代码 Part number	名称 Part Name	推荐数量 Advised Q'ty	备注 Remark
1	805000057	螺钉M6×60 Screw	3	GB/T70.1-2000
2	805300030	弹垫6 Sping cushion	3	GB/T93-1987
3	350400470	阀架 Valve bracket	1	
4	805300010	弹垫8 Sping cushion	2	GB/T93-1987
5	805100118	螺钉M8×40 Screw	2	GB/T70.1-2000
6	803007877	多路换向阀 Multi-channel valve	1	
7	359400100	拨叉 Fork	5	
8	805200046	螺母M5 Nut	5	GB/T6170-2000
9	359400357	拨叉 Fork	5	
10	805338213	轴用弹性挡圈8 Check ring for shaft	8	
11	359400133	销轴 Pin shaft	10	
12	350400471	连杆 Linker	5	
13	800305966	连接轴 Connected shaft	1	
14	805000322	螺栓M6×16 Bolt	8	GB/T5783-2000
15	805138276	螺钉M5×20 Screw	5	GB/T70.1-2000
16	359400120	操纵手柄 Operation handler	5	
17	350400473	操纵架 Controls bracket	1	



351700247 油箱总成 Oil tank



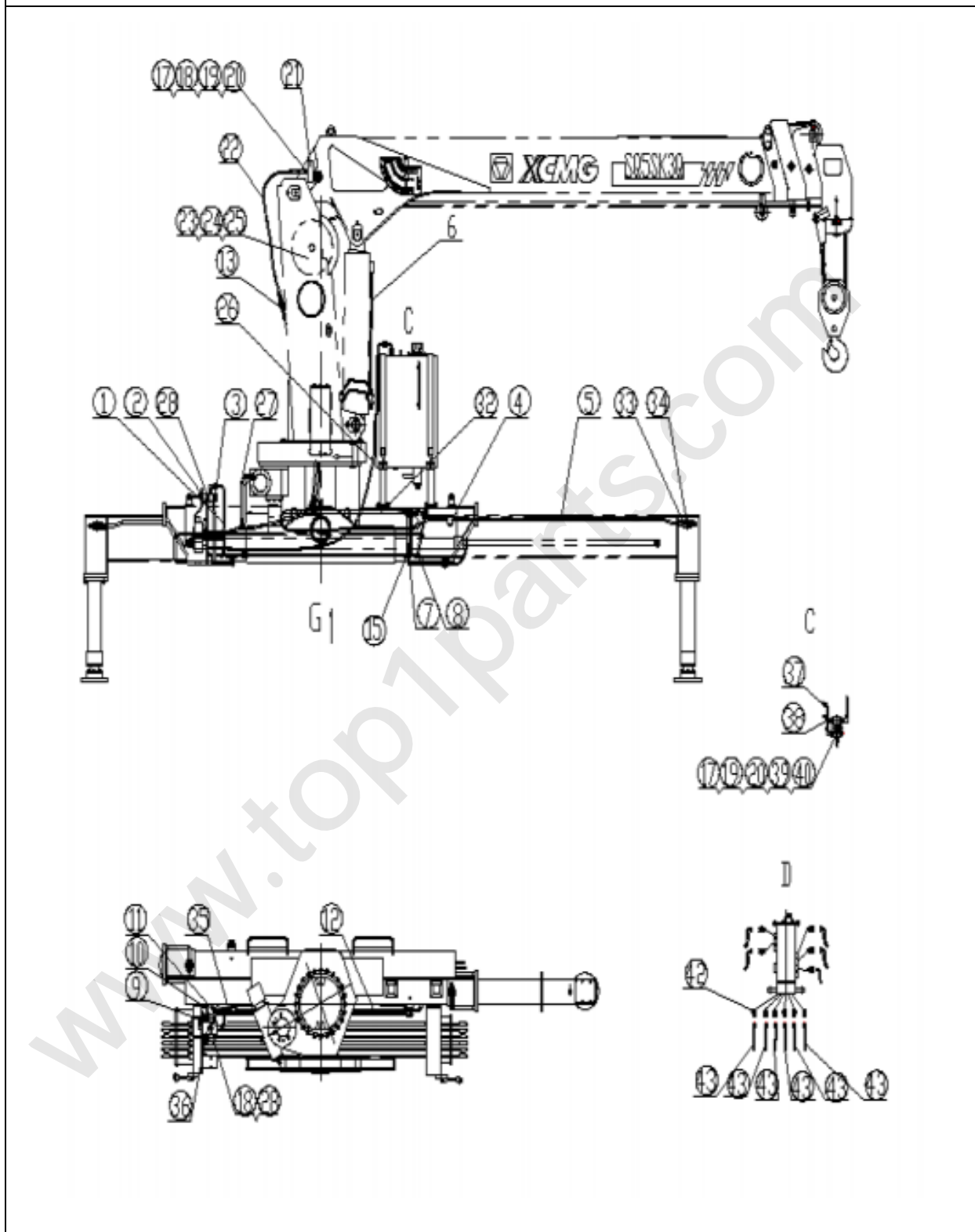


351700247 油箱总成 Oil tank

序号 No.	物料代码 Part number	名称 Part Name	推荐数量 Advised Q'ty	备注 Remark
1	351600193	紧固带 Tightness belt	2	
2	351600192	缓冲垫 Buffer cushion	2	
3	803174203	空气滤清器 Air filter	1	
4	805005582	螺栓 M4X15 Bolt	12	GB/T5783-2000
5	805300027	垫圈 4 Cushion ring	12	GB/T93-1987
6	350400381	垫圈 Cushion ring	1	GB/T93-1987
7	350400380	盖板 Cover board	1	
8	803174320	滤油器 Oil filter	1	
9	803008305	铜手柄球阀 Ball-valve	1	
10	359400055	接头体 Tie-in	1	
11	805200048	螺母 M10 Nut	8	GB/T6170-2000
12	805005596	螺塞 M27X2 Screw thread plug	1	JB1000-1977
13	805300038	垫圈 27 Cushion ring	1	GB/T93-1987
14	351700360	油箱体 Oil tank	1	
15	351600219	油箱支架 Tank bracket	2	

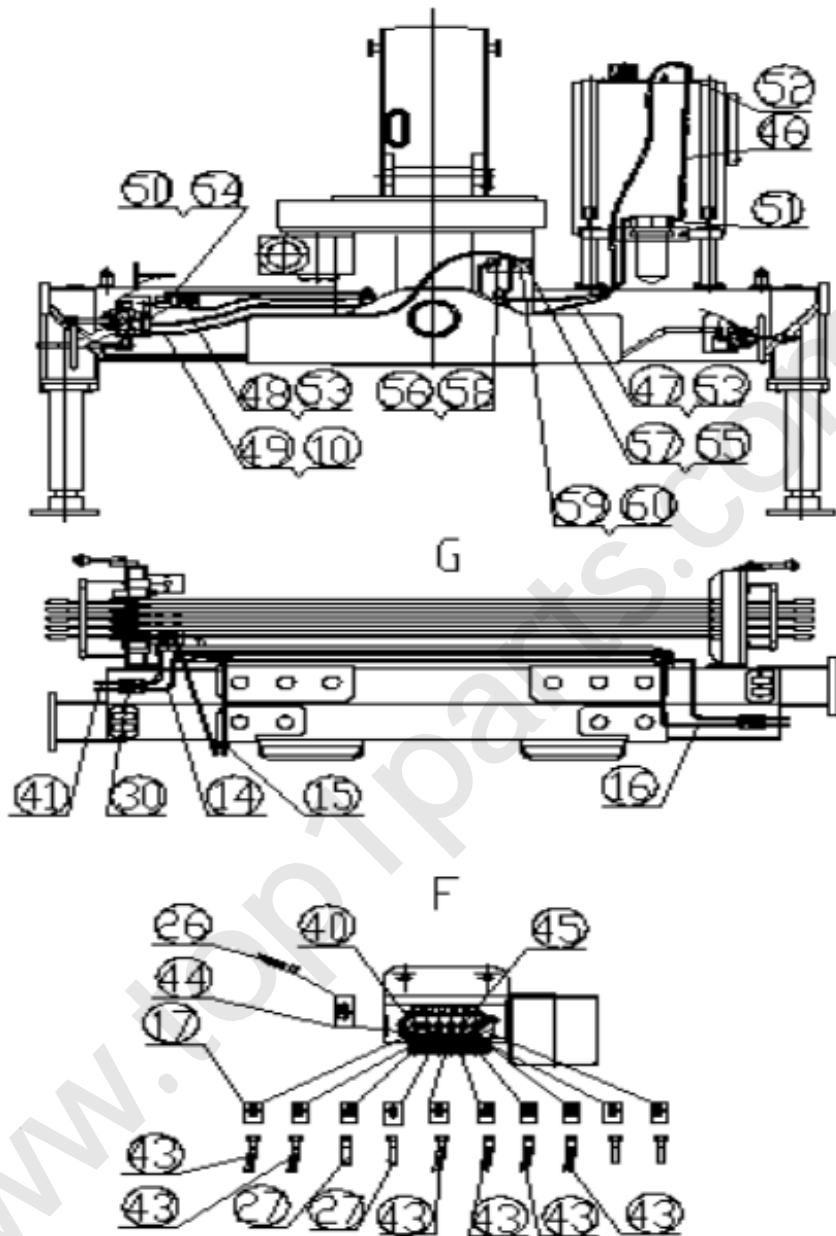


350401018 液压系统布管图 Hydraulic system layout





350401018 液压系统布管图 Hydraulic system layout





350401018 液压系统布管图 Hydraulic system layout

序号 No.	物料代码 Part number	名称 Part Name	推荐数 量 Advised Q'ty	备注 Remark
1	350400210	弯管 Bend tube	1	
2	350400211	弯管 Bend tube	1	
3	350400212	弯管 Bend tube	1	
4	359400105	管夹 Bend clip	4	
5	350400213	弯管 Bend tube	4	
6	350400214	弯管 Bend tube	1	
7	350400215	弯管 Bend tube	1	
8	350400216	弯管 Bend tube	1	
9	350400217	弯管 Bend tube	1	
10	350400218	弯管 Bend tube	1	
11	350400219	弯管 Bend tube	1	
12	350400220	弯管 Bend tube	1	
13	359400107	管夹 Bend clip	1	
14	350400221	弯管 Bend tube	1	
15	350400286	弯管 Bend tube	1	
16	350400222	弯管 Bend tube	1	
17	803190754	直通接头 I12LG3/8ED Straight joint	15	
18	803103585	直角组合接头 LH12L L-joint	14	
19	805000237	螺栓 M8×45 Bolt	4	GB/T5783-2000
20	805300010	弹簧垫圈 8 Spring cushion	4	GB/T93-1987
21	803130189	单向平衡阀 SPHBB50 Balance valve	1	
22	803175217	胶管总成 N381HAHF121205-1800 Tube	2	
23	803176880	胶管总成 N381HAHF121205-1100 Tube	2	
24	803175218	胶管总成 N481HAHA101005-2100 Tube	1	
25	803175215	胶管总成 N481HAHF101005-1100 Tube	25	
26	350400210	胶管总成 N481HAHF151510-2400 Tube	2	
27	350400211	胶管总成 N381HAHA121205-550 Tube	2	
28	350400212	直通接头 I12LM14×1.5ED Straight joint	2	



350401018 液压系统布管图 Hydraulic system layout

序号 No.	物料代码 Part number	名称 Part Name	推荐数量 Advised Q'ty	备注 Remark
29	359400105	直通接头 I12LM16×1.5ED Straight joint	4	
30	350400213	直通接头 I12L Straight joint	4	
31	350400214	三通接头 Y12L T-joint	2	
32	350400215	胶管总成 N381HAHA101005-1800STH Tube	2	
33	350400216	直接接头 I10LM14×1.5ED Straight joint	2	
34	350400217	双向液压锁 2S0Y-H6L Dual-hydraulic lock	2	
35	350400218	直通组合接头 ZH12L Joint	12	
36	350400219	选择阀 45XF-L6-00 Selector valve	8	
37	350400220	胶管总成 N381HAHF121205-700 Tube	8	
38	359400107	胶管总成 N381HAHF121205-600 Tube	2	
39	350400221	单相平衡阀 SPHBA50 Balance valve	2	
40	350400286	端螺纹塞堵 VS-R3/8-WD Plug	2	
41	803175583	胶管总成 N381HAHA121205-400 Tube	4	
42	803174416	直通接头 I12LM18×1.5ED Straight joint	6	
43	803180257	胶管总成 N381HAHA121205-1200 Tube	6	
44	803167930	直通接头 I15LG1/2ED Straight joint	1	
45	803007877	多路阀 HC-D10/6 Muuli-channel valve	1	
46	803176897	胶管总成 N481HFHF151510-700 Tube	1	
47	8031780856	胶管总成 N481HFHF151510-800 Tube	1	
48	803175416	胶管总成 N481HAHF151510-2300 Tube	1	
49	803175259	胶管总成 N381HAHA222212-1350 Tube	1	
50	803174419	直通接头 I15LM27X2ED Straight joint	2	
51	860100843	三通组合接头 YL15L T-joint	1	
52	803300892	胶管总成 N381HAHF121206-1330 Tube	2	
53	803167930	直通接头 I15LG1/2ED Straight joint	2	
54	803164567	三通组合接头 YL12L T-joint	2	
55	803174487	直通接头 I22LG3/8ED Straight joint	2	
56	803190754	直通接头 I12LG3/8ED Straight joint	2	
57	803165705	三通组合接头 YL22L T-joint	1	



350401018 液压系统布管图 Hydraulic system layout

序号 No.	物料代码 Part number	名称 Part Name	推荐数量 Advised Q'ty	备注 Remark
58	803103585	直角组合接头 LH12L L-joint	2	
59	803008018	电磁阀 SCO-40-XS Magnet valve	1	
60	805139949	螺栓 M8×65 Bolt	2	GB/T5783-2000

www.top1parts.com

www.top1parts.com