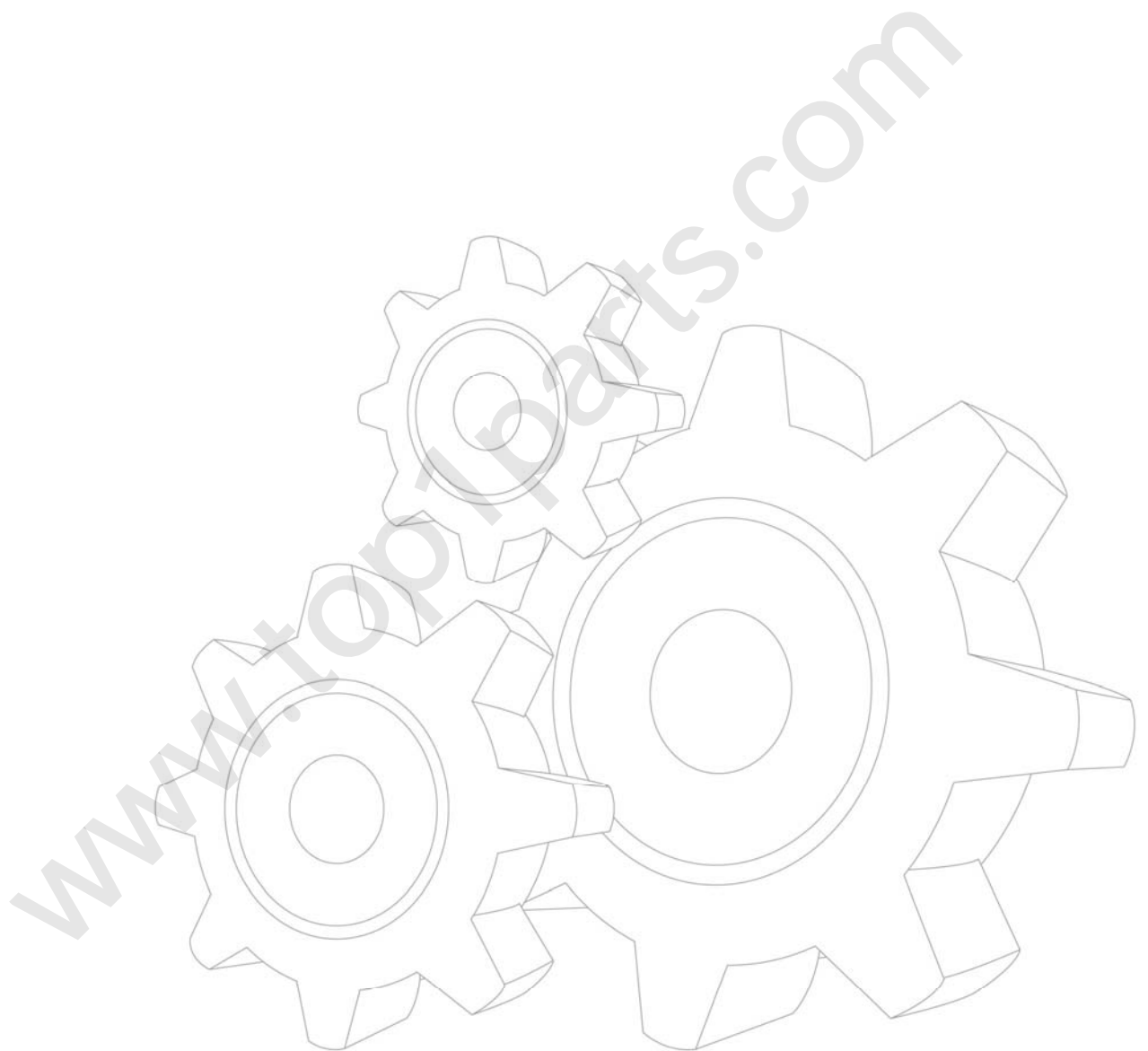




SQ4SK2Q 随车起重机备件图册

SQ4SK2Q Truck-mounted Crane SPARE PARTS CATALOGUE





目次 Contents

| | |
|---|-----|
| 前 言 | II |
| Preface | III |
| 350300136 SQ4SK2Q 随车起重机 SQ4SK2Q Truck-mounted crane | 4 |
| 350300086 吊臂总成 Boom assembly | 6 |
| 350300071 伸缩油缸装配 Telescopic cylinder assembly..... | 9 |
| 350300085 转台总成 Slewing base..... | 15 |
| 358001709 液压绞车 Hydraulic winch | 17 |
| 350300072 变幅油缸 Derricking cylinder | 20 |
| 回转机构 Slewing..... | 22 |
| 358200044 回转分配器 Slewing distributor..... | 24 |
| 350200503 机座体总成 pedestal..... | 26 |
| 350200511 支腿油缸 Leg cylinder..... | 28 |
| 350200509 操纵系统 controls..... | 30 |
| 350300094 布管系统 Hydraulic pipe layout..... | 32 |
| 350300095 上车布管系统 Up hydraulic pipe layout..... | 34 |
| 350200513 下车布管系统 Down hydraulic pipe layout | 36 |

前 言

衷心感谢您对徐工品牌的信赖和认可并使用徐工生产的 SQ4SK2Q 随车起重机。

本图册提供了“SQ4SK2Q”列为备件的结构及装配关系，旨在方便备件工程师和用户对起重机更好的维修和保养。本图册应配合产品使用说明书共同使用，请您严格按照备件图册进行操作、维护，使“SQ4SK2Q”处于最佳工作状态。

为方便用户备件检索，本图册已将“SQ4SK2Q”的大型结构件及整体采购件拆分至最小可维修单元，在分解图后附有明细表与所示零件一一对应。

本备件图册及其它随车技术文件是“SQ4SK2Q”的组成部分，请在产品寿命期内随车妥善保存，共同作为您使用该“SQ4SK2Q”的必须依据。

我公司保留随技术改进而不断修订《备件图册》内容的权利，如有变更，恕不另行通知，望各位用户予以理解。

2012 年十月第一版

Preface

Firstly, thank you for selecting Truck Crane designed and manufactured by XCMG.

The aim of supplying the catalogue is to facilitate maintenance and service to the SQ4SK2Q Truck-mounted Crane. It should be used together with the operation manual and maintenance manual. Please strictly follow the instructions in operation manual and maintenance manual for operation and maintenance.

There are details for assembly of parts in it, which large structural parts and integrated parts are disassembled into minor maintenance units. There is a list following each detail for user looking up spare parts. Please refer to carrier spare parts catalogue for contents involved with carrier spare parts.

The manual is an integral part of the crane. Please keep them handy in the driver's or operator's cab with the supplied technical documents and operate the machine according to instruction in them.

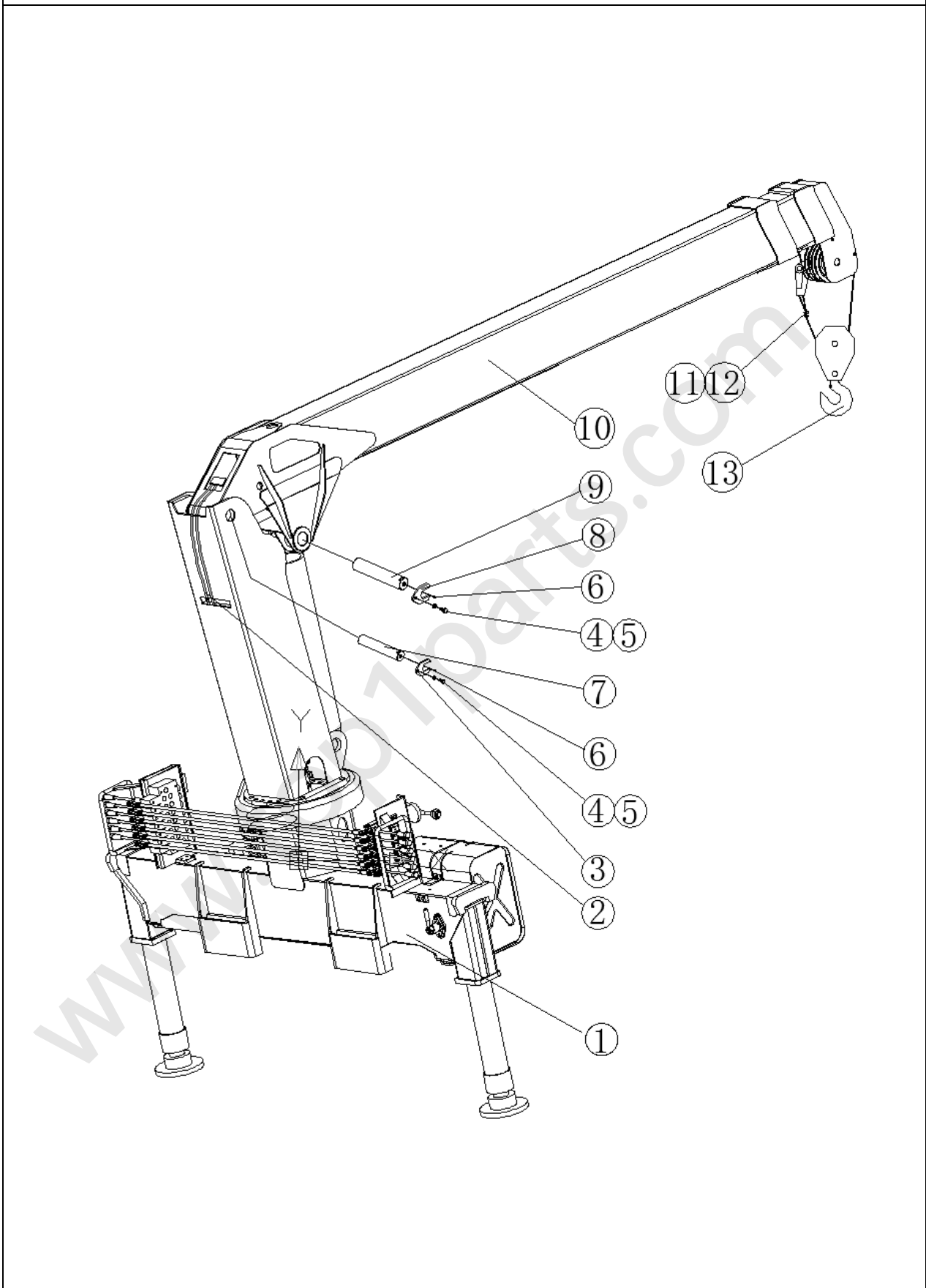
We reserve the right to modify the catalogue for improvement without notice .

10/2012 First Edition

III



350300136 SQ4SK2Q 随车起重机 SQ4SK2Q Truck-mounted crane



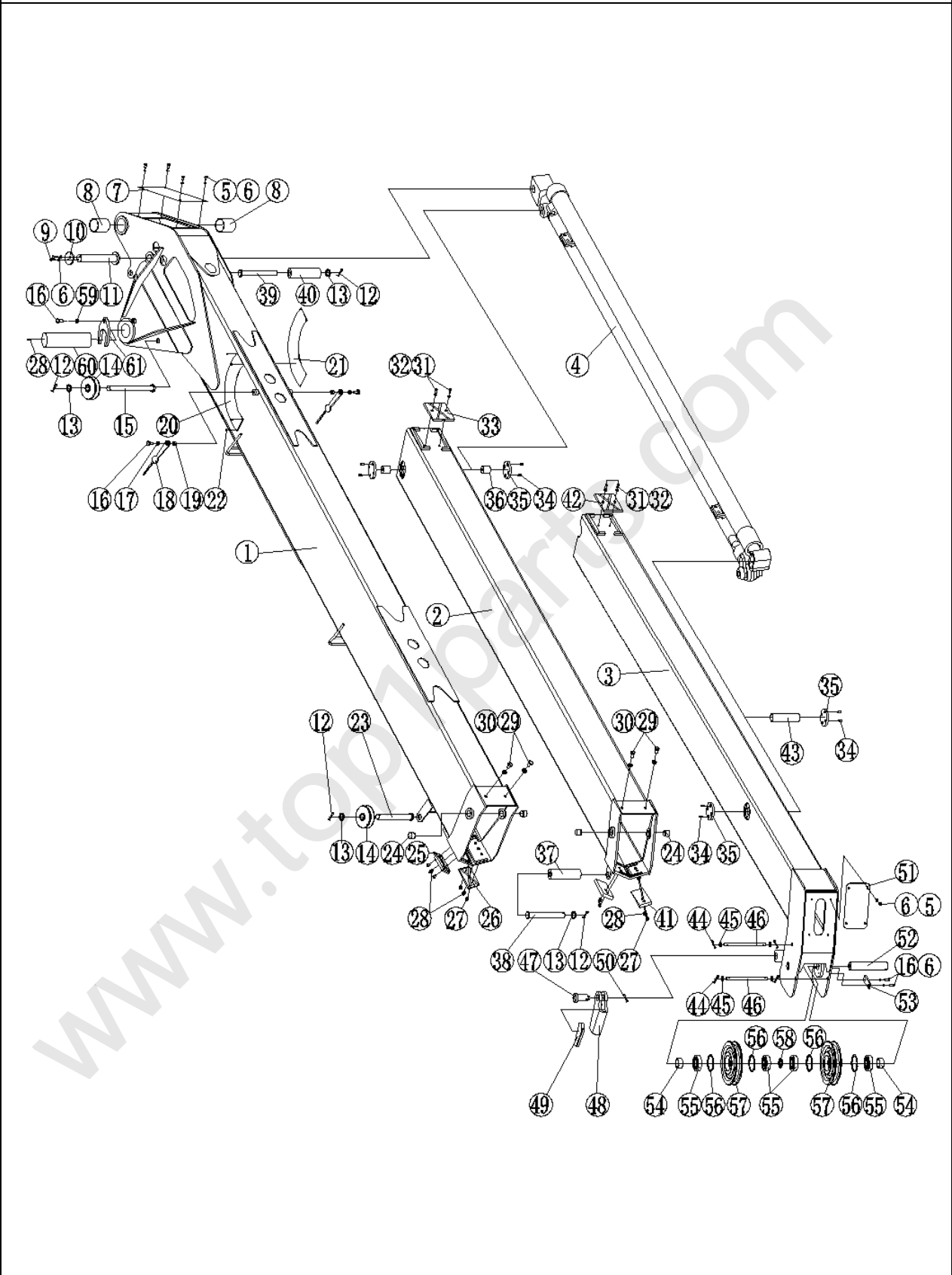


350300136 SQ4SK2Q 随车起重机 SQ4SK2Q Truck-mounted crane

| 序号 No. | 物料代码 Part number | 名称 Part Name | 推荐数量 Advised Q'ty | 备注 Remark |
|-----------|---------------------|----------------------------|----------------------|------------------------|
| 1 | 350300084 | 回转机座总成 Slewing base | 1 | |
| 2 | 350300094 | 布管系统 Hydraulic pipe layout | 1 | |
| 3 | 359400020 | 卡板 Clip board | 1 | |
| 4 | 805000714 | 螺栓 M10×20 Bolt | 2 | GB/T5783-2000 |
| 5 | 805300014 | 垫圈 10 Gasket | 2 | GB/T93-1987 |
| 6 | 801103108 | 油杯 M10×1 Oil cup | 2 | GB/T1153-2000 |
| 7 | 350200004 | 轴 Shaft | 1 | |
| 8 | 359400021 | 卡板 Clip board | 1 | |
| 9 | 350300007 | 销轴 Pin shaft | 1 | |
| 10 | 350300086 | 吊臂总成 Boom assembly | 1 | |
| 11 | 801301588 | 绳夹 10KT Cable clamp | 1 | GB/T5976-2006 |
| 12 | 821532948 | 钢丝绳 Steel cable | 49m | 9.3NAT-18X7+FC-1870-ZS |
| 13 | 358900004 | 吊钩 Hook | 1 | |



350300086 吊臂总成 Boom assembly





350300086 吊臂总成 Boom assembly

| 序号 No. | 物料代码 Part number | 名称 Part Name | 推荐数量 Advised Q' ty | 备注 Remark |
|-----------|---------------------|---------------------------|-----------------------|--------------|
| 1 | 350300087 | 基本臂 Base boom | 1 | |
| 2 | 350300090 | 第一节伸缩臂 Telescopic boom I | 1 | |
| 3 | 350300091 | 第二节伸缩臂 Telescopic boom II | 1 | |
| 4 | 350300071 | 伸缩油缸 Telescopic cylinder | 1 | |
| 5 | 805000008 | 螺栓 M6×12 Bolt | 8 | |
| 6 | 805300030 | 垫圈 6 Cushion ring | 12 | |
| 7 | 350200084 | 盖板 Cover board | 1 | |
| 8 | 800514677 | 无油润滑轴 SF-1 Bearing | 2 | |
| 9 | 805000322 | 螺栓 M6×16 Bolt | 4 | |
| 10 | 350200083 | 盖板 Cover board | 1 | |
| 11 | 350300003 | 销轴 Pin shaft | 1 | |
| 12 | 805603901 | 开口销 4×40 End-opened pin | 4 | |
| 13 | 805302848 | 挡圈 20 Check ring | 4 | |
| 14 | 350300069 | 导向轮 Polot wheel | 2 | |
| 15 | 350200015 | 销轴 Pin shaft | 1 | |
| 16 | 805000714 | 螺栓 M10×20 Bolt | 2 | |
| 17 | 805200065 | 螺母 M10 Nut | 2 | |
| 18 | 359400283 | 指针 Needle | 2 | |
| 19 | —— | 套 Bush | 2 | |
| 20 | 350300063 | 幅度牌 (右) Rang indicator | 1 | |
| 21 | 350300062 | 幅度牌 (左) Rang indicator | 1 | |
| 22 | 805502345 | 铆钉 2.5×6 Rivet | 8 | |
| 23 | 350300004 | 销轴 Pin shaft | 1 | |
| 24 | 359400166 | 支撑块 Support block | 4 | |
| 25 | 350300067 | 滑块 Slide pad | 1 | |
| 26 | 350300066 | 滑块 Slide pad | 1 | |
| 27 | 805100101 | 内六角螺钉 M8×12 Screw | 6 | |
| 28 | 801100336 | 油杯 M10×1 Oil cup | 4 | |
| 29 | 805104032 | 螺钉 M10×40 Screw | 4 | |
| 30 | 805200065 | 六角薄螺母 M10 Thin nut | 4 | |
| 31 | 805100309 | 内六角螺钉 M6×16 Screw | 4 | |
| 32 | 805302747 | 垫圈 6 Cushion ring | 4 | |
| 33 | 350200245 | 滑块 Side pad | 2 | |
| 34 | 805400035 | 孔用弹性垫圈 50 Check ring | 4 | |
| 35 | 350200086 | 盖板 Cover board | 2 | |
| 36 | 350200002 | 销轴 Pin shaft | 2 | |

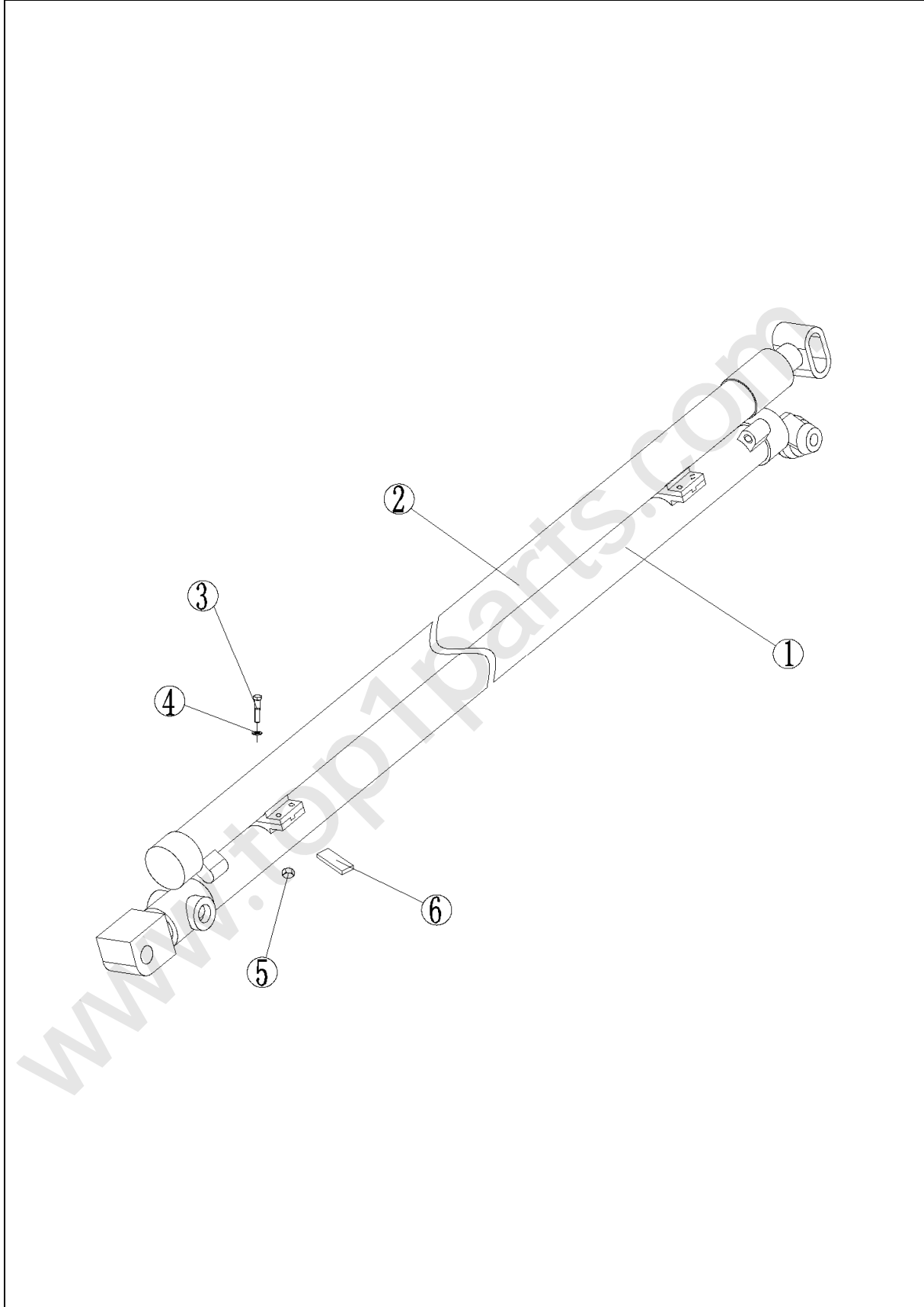


350300086 吊臂总成 Boom assembly

| 序号 No. | 物料代码 Part number | 名称 Part Name | 推荐数量 Advised Q' ty | 备注 Remark |
|-----------|---------------------|-------------------------|-----------------------|--------------|
| 37 | 350300068 | 滚筒 Rotary drum | 1 | |
| 38 | 350300075 | 销轴 Pin shaft | 1 | |
| 39 | 350300009 | 销轴 Pin shaft | 1 | |
| 40 | 350300001 | 滚筒 Rotary drum | 1 | |
| 41 | 350300065 | 滑块 Slide pad | 2 | |
| 42 | 350200245 | 滑块 Slide pad | 1 | |
| 43 | 350300002 | 销轴 Pin shaft | 1 | |
| 44 | 805603899 | 开口销 4×30 End-open pin | 4 | |
| 45 | 805302843 | 垫圈 10 Cushion ring | 4 | |
| 46 | 350200036 | 绳挡 Rope ward | 2 | |
| 47 | 350200010 | 销轴 Pin shaft | 1 | |
| 48 | 350200363 | 楔套 Wedge bush | 1 | |
| 49 | 350200362 | 楔 Wedge | 1 | |
| 50 | 805603902 | 开口销 4×50 End-opened pin | 1 | |
| 51 | 350200085 | 盖板 Cover board | 1 | |
| 52 | 350200003 | 销轴 Pin shaft | 1 | |
| 53 | 350200042 | 挡板 Baffle | 1 | |
| 54 | 350200030 | 隔套 Separate bush | 2 | |
| 55 | 800513883 | 轴承 6206-LS Bearing | 4 | |
| 56 | 805400075 | 轴用挡圈 D62 Check ring | 4 | |
| 57 | 350200249 | 滑轮 Pulley | 2 | |
| 58 | 350200012 | 隔套 Separate bush | 1 | |
| 59 | 805300030 | 垫圈 10 Cushion ring | 1 | |
| 60 | 350300007 | 销轴 Pin Shaft | 1 | |
| 61 | 359400021 | 卡板 Clip board | 1 | |



350300071 伸缩油缸装配 Telescopic cylinder assembly





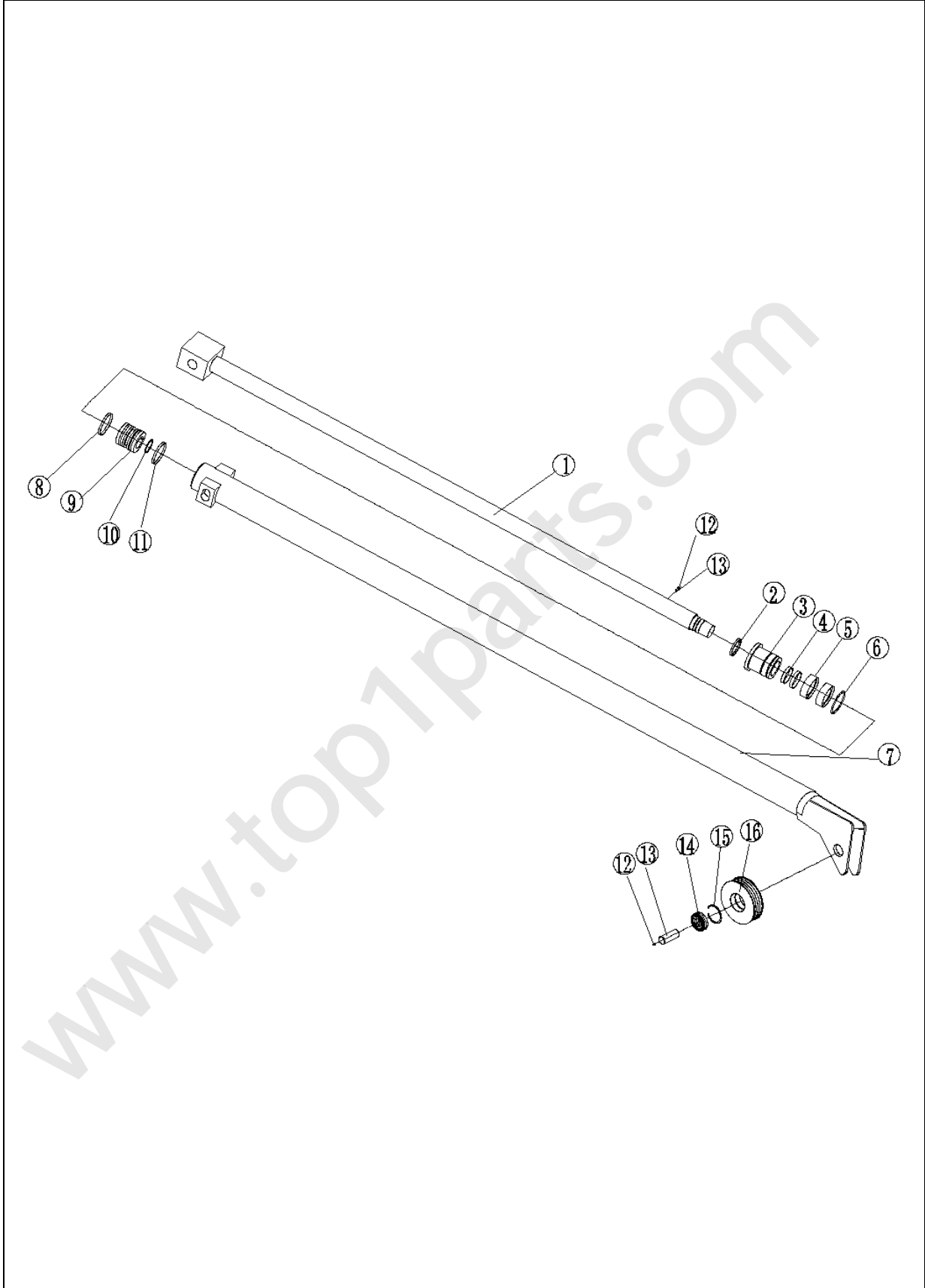
350300071 伸缩油缸装配 Telescopic cylinder

| 序号 No. | 物料代码 Part number | 名称 Part Name | 推荐数量 Advised Q'ty | 备注 Remark |
|-----------|---------------------|-----------------------------------|----------------------|--------------|
| 1 | ——— | 伸缩油 I Telescopic cylinder I | 1 | |
| 2 | ——— | 伸缩油缸 II Telescopic cylinder II | 1 | |
| 3 | ——— | 螺栓 M12×1.5×35 Bolt | 8 | GB5785-86 |
| 4 | 860101053 | 弹垫 M12×1.5 Spring cushion | 8 | GB93-87 |
| 5 | 805103512 | 螺母 M12 Nut | 8 | GB6171-86 |
| 6 | 700217414- | 方钢 8×110 Square steel | 2 | |

www.top1parts.com



伸缩油缸 I Telescopic cylinder I



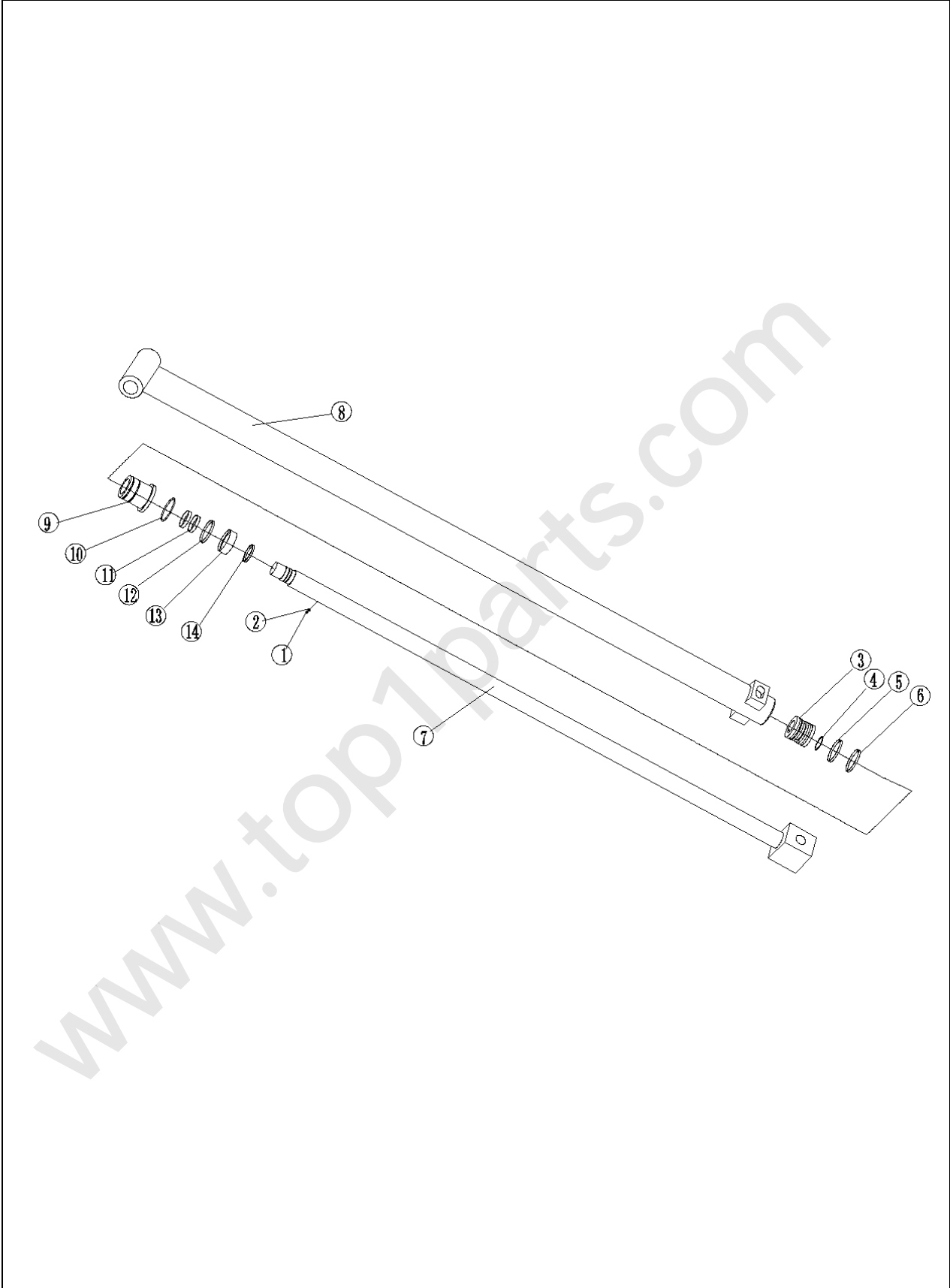


伸缩油缸 I Telescopic cylinder I

| 序号 No. | 物料代码 Part number | 名称 Part Name | 推荐数量 Advised Q' ty | 备注 Remark |
|-----------|---------------------|---|-----------------------|--------------|
| 1 | —— | 活塞杆 Piston pole | 1 | |
| 2 | —— | 防尘圈 d45×53×6.5 Dustproof ring | 1 | |
| 3 | —— | 缸盖 Cylinder cover | 1 | |
| 4 | —— | 轴用支承环 d45×9.4×2.5 Support ring | 2 | |
| 5 | —— | 轴封 d45×55×6 Seal for shaft | 2 | |
| 6 | —— | O 型圈 63×5.7 O-ring | 1 | |
| 7 | —— | 缸体 Cylinder | 1 | |
| 8 | —— | 隔套 Separate bush | 1 | |
| 9 | —— | 活塞 Piston | 1 | |
| 10 | —— | O 型圈 30×3.1 O-ring | 1 | |
| 11 | —— | 孔封 Seal for hole | 1 组 | |
| 12 | —— | 长圆柱端紧定螺钉 35 Screw | 1 | |
| 13 | —— | 螺母 M30×2 Nut | 1 | |
| 14 | —— | 油嘴 M6×1 Oil nipple | 1 | |
| 15 | —— | 销轴 Pin shaft | 1 | |
| 16 | —— | 铜被轴承 $\Phi 20 \times \Phi 23-30$ Bearing | 1 | |
| 17 | —— | 轴用弹挡 d20 Check ring | 1 | |
| 18 | —— | 滑轮 Pulley | 1 | |



伸缩油缸 II Telescopic cylinder II



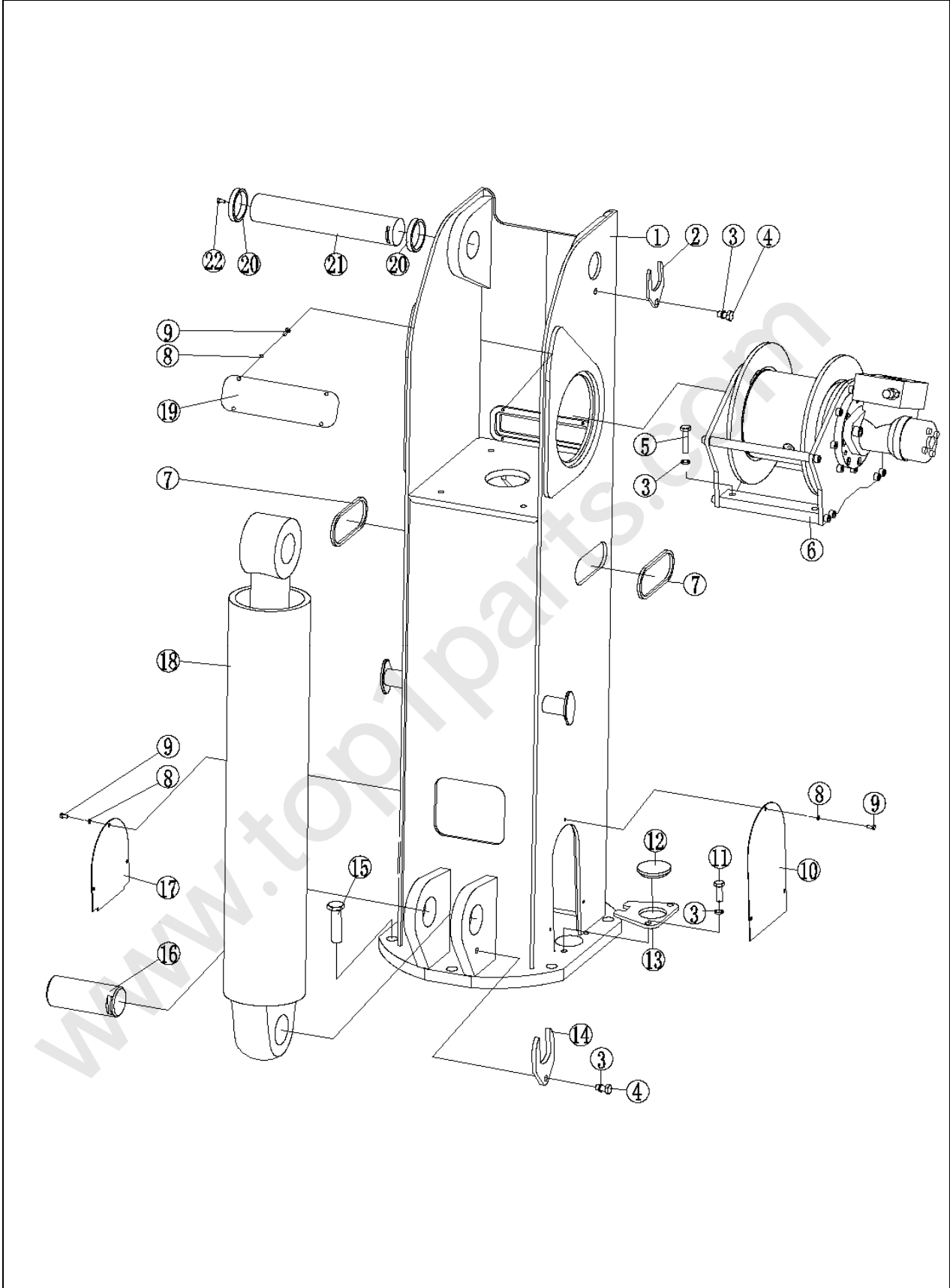


伸缩油缸 II Telescopic cylinder II

| 序号 No. | 物料代码 Part number | 名称 Part Name | 推荐数量 Advised Q'ty | 备注 Remark |
|-----------|---------------------|------------------------------------|----------------------|--------------|
| 1 | —— | 长圆柱端紧定螺钉 Tightness screw | 1 | |
| 2 | —— | 螺母 M30×2 厚 25 Nut | 1 | |
| 3 | —— | 活塞 Piston | 1 | |
| 4 | —— | O 型圈 30×3.1 O-ring | 1 | |
| 5 | —— | 孔封 D55×39-18.4 Seal for hole | 1 组 | |
| 6 | —— | 隔套 Separate bush | 1 | |
| 7 | —— | 活塞杆 Piston pole | 1 | |
| 8 | —— | 缸体 Cylinder | 1 | |
| 9 | —— | 缸盖 Cylinder cover | 1 | |
| 10 | —— | O 形圈 63×5.7 O-ring | 1 | |
| 11 | —— | 轴用支承环 d45×9.4×2.5 Support ring | 1 | |
| 12 | —— | 斯特封 d45×4.2 Seal | 1 组 | |
| 13 | —— | 轴封 d45×55×6 Seal for shaft | 1 | |
| 14 | —— | 防尘圈 d45×53×5/6.5 Dustproof ring | 1 | |



350300085 转台总成 Slewing base



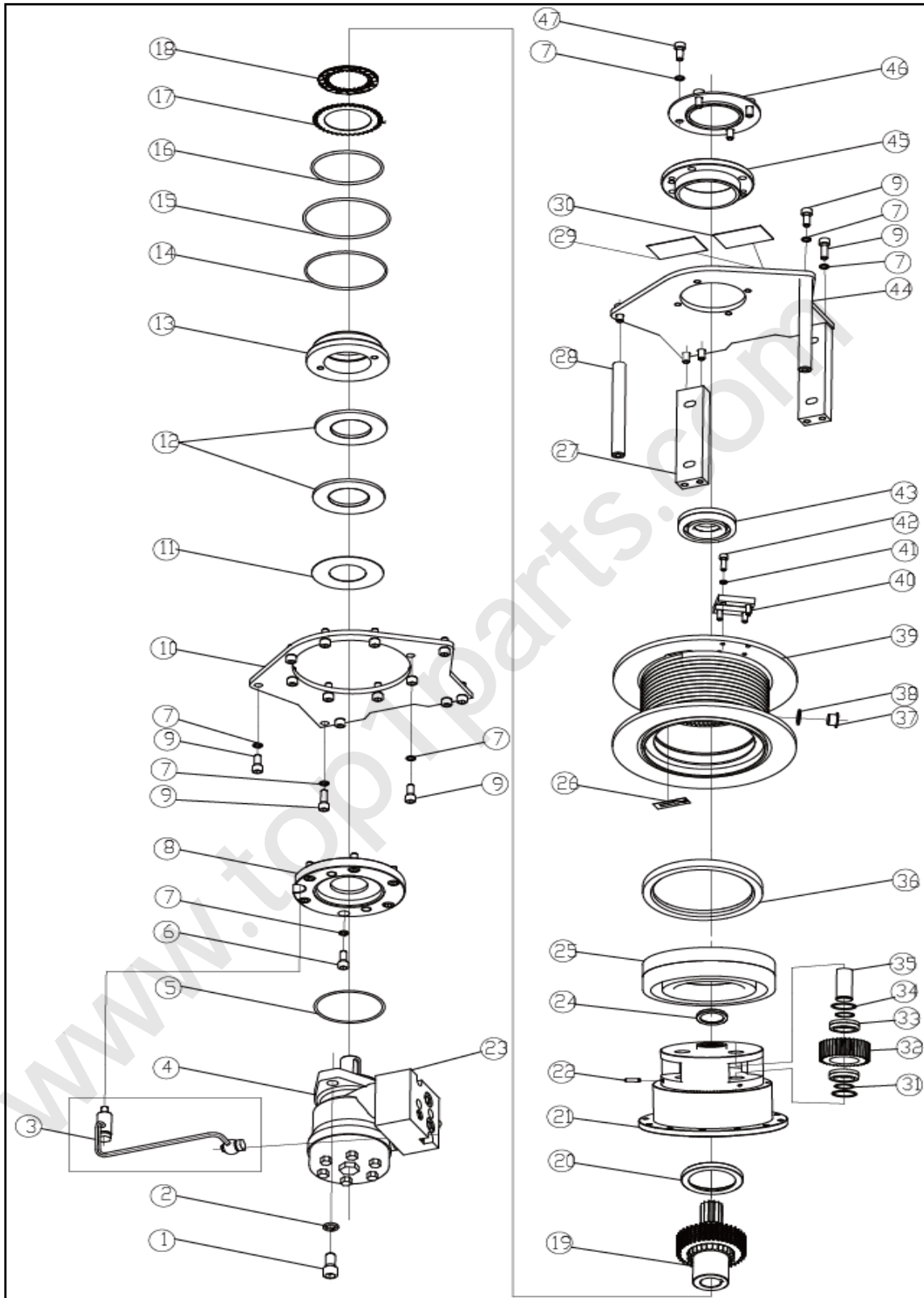


350300085 转台总成 slewing base assembly

| 序号 No. | 物料代码 Part number | 名称 Part Name | 推荐数量 Advised Q'ty | 备注 Remark |
|-----------|---------------------|--------------------------|----------------------|-----------------|
| 1 | 350300085 | 转台 Column | 1 | |
| 2 | 359400020 | 卡板 Clip board | 1 | |
| 3 | 805300014 | 垫圈 10 Cushion ring | 8 | GB/T93-1987 |
| 4 | 805000714 | 螺栓 M10×20 Bolt | 2 | GB/T5783-2000 |
| 5 | 805005193 | 螺栓 M10×45 Bolt | 4 | GB/T5783-2000 |
| 6 | 358001709 | 液压绞车 Hydraulic winch | 1 | |
| 7 | 350201018 | 护套 Bush | 2 | |
| 8 | 805300109 | 垫圈 5 Cushion ring | 16 | GB/T93-1987 |
| 9 | 805000389 | 螺栓 M5×10 Bolt | 16 | GB/T5783-2000 |
| 10 | 350200038 | 封板 Close board | 1 | |
| 11 | 805103872 | 螺钉 M10×30 Screw | 2 | GB/T70.1-2008 |
| 12 | 359400092 | 盖子 Cover | 1 | |
| 13 | 350200057 | 拨叉 Fork | 1 | |
| 14 | 359400021 | 卡板 Clip board | 1 | |
| 15 | 805000374 | 螺栓 M18×62 Bolt | 10 | GB/T5783-2000 |
| 16 | 350300008 | 轴 Shaft | 1 | |
| 17 | 350200039 | 封板 Close board | 1 | |
| 18 | 350300072 | 变幅油缸 Derricking cylinder | 1 | |
| 19 | 350200040 | 封板 Close board | 1 | |
| 20 | 350200005 | 隔套 Separate bush | 2 | |
| 21 | 350200004 | 轴 Shaft | 1 | |
| 22 | 801100336 | 油杯 M10×1 Oil cup | 1 | JB/T7940.1-1995 |



358001709 液压绞车 Hydraulic winch





358001709 液压绞车 Hydraulic winch

| 序号 No. | 物料代码 Part number | 名称 Part Name | 推荐数量 Advised Q' ty | 备注 Remark |
|-----------|---------------------|--|-----------------------|---------------|
| 1 | 805100115 | 螺钉 M12X25 Screw M12X25 | 2 | GB/T70.1 |
| 2 | 805300018 | 垫圈 12 gasket 12 | 2 | GB/T93 |
| 3 | 358000171 | 油管 Oil tube | 1 | |
| 4 | 803007709 | 马达 Motor | 1 | OMR-160 |
| 5 | 803175015 | O 形圈 82.22X2.62 o-ring 82.22X2.62 | 1 | C92 |
| 6 | 805103995 | 螺钉 M8X15 Screw M8X15 | 6 | GB/T70.1 |
| 7 | 805300010 | 垫圈 8 gasket 8 | 30 | GB/T93 |
| 8 | 358001690 | 端盖 cover | 1 | |
| 9 | 805100064 | 螺钉 M8X20 Screw M8X20 | 20 | GB/T70.1 |
| 10 | 358001703 | 左侧板 Left side board | 1 | |
| 11 | 358000073 | 调整垫 Adjustable cushion | 1 | |
| 12 | 801702810 | 碟簧 90X46X3.5X6 Dish spring 90X46X3.5X6 | 2 | GB/T1972 |
| 13 | 358001684 | 活塞 piston | 1 | |
| 14 | 803175031 | O 形圈 98X3 o-ring 98X3 | 1 | EKM |
| 15 | 803309621 | 组合封 D103X92X6 gasket D103X92X6 | 1 | KGF10306NP3 |
| 16 | 803309622 | 组合封 D87.5X76.5X6 Gasket D87.5X76.5X6 | 1 | KGF8706NP3 |
| 17 | 358001691 | 摩擦静片 Static slice | 9 | |
| 18 | 358001693 | 摩擦动片 Dynamic slice | 8 | |
| 19 | 358001685 | 太阳轮 Sun wheel | 1 | |
| 20 | 358001700 | 挡板 baffle | 1 | |
| 21 | 358001682 | 筒芯 Cylinder core | 1 | |
| 22 | 805005415 | 螺钉 M6X15 Screw M6X15 | 3 | GB/T79 |
| 23 | 803008122 | 平衡阀 Balance valve | 1 | CBPA-B-OMP-C1 |
| 24 | 358001699 | 摩擦垫 Friction cushion | 1 | GB/T5801 |
| 25 | 800552626 | 轴承 61822 Bearing 61822 | 1 | GB/T276 |
| 26 | 358001704 | 标牌 label | 1 | |
| 27 | 358001701 | 连接板 Connected board | 2 | |
| 28 | 358001705 | 连杆 linker | 2 | |
| 29 | 358001706 | 起升减速机标牌 label | 1 | |
| 30 | 358001707 | 起升减速机标牌 label | 1 | |
| 31 | 358001698 | 行星垫 Planet cushion | 6 | |
| 32 | 358001696 | 行星轮 Planet wheel | 3 | |
| 33 | 800513877 | 轴承 NA4903 Bearing NA4903 | 6 | GB/T5801 |
| 34 | 358001697 | 摩擦垫 Friction cushion | 6 | |
| 35 | 358001694 | 行星轴 Planet shaft | 3 | |
| 36 | 803175106 | 油封 125X150X12 oil seal 125X150X12 | 1 | SN70-TC |

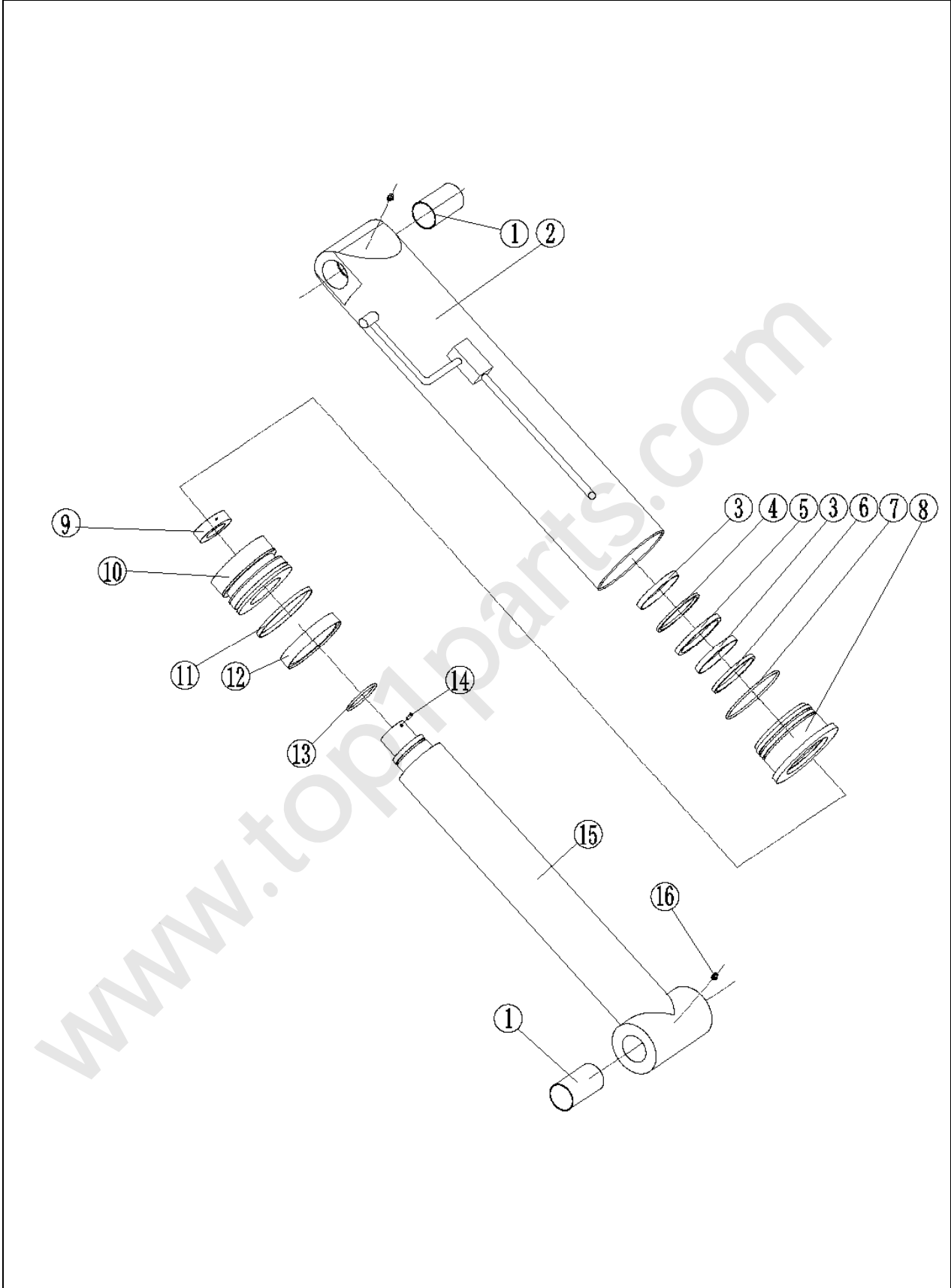


358001709 液压绞车 Hydraulic winch

| 序号 No. | 物料代码 Part number | 名称 Part Name | 推荐数量 Advised Q' ty | 备注 Remark |
|-----------|---------------------|--|--------------------------|--------------|
| 37 | 803174310 | 螺塞 M16X1.5 Screw thread plug M16X1.5 | 3 | JB/ZQ4444 |
| 38 | 805300026 | 组合密封 16 Gasket 16 | 3 | JB/T982 |
| 39 | 358001687 | 筒体组件 cylinder | 1 | |
| 40 | 358000243 | 压板 Press board | 1 | |
| 41 | 805300030 | 垫圈 6 gasket 6 | 4 | GB/T9 |
| 42 | 805100059 | 螺钉 M6X20 Screw M6X20 | 4 | GB/T70.1 |
| 43 | 800500194 | 轴承 6207 Bearing 6207 | 1 | GB/T276 |
| 44 | 358001702 | 右侧板 Right side board | 1 | |
| 45 | 358000089 | 轴承盖 Bearing cover | 1 | |
| 46 | 358000086 | 外端盖 End cover | 1 | |
| 47 | 805000017 | 螺栓 M8X25 Bolt M8X25 | 4 | GB/T5783 |



350300072 变幅油缸 Derricking cylinder



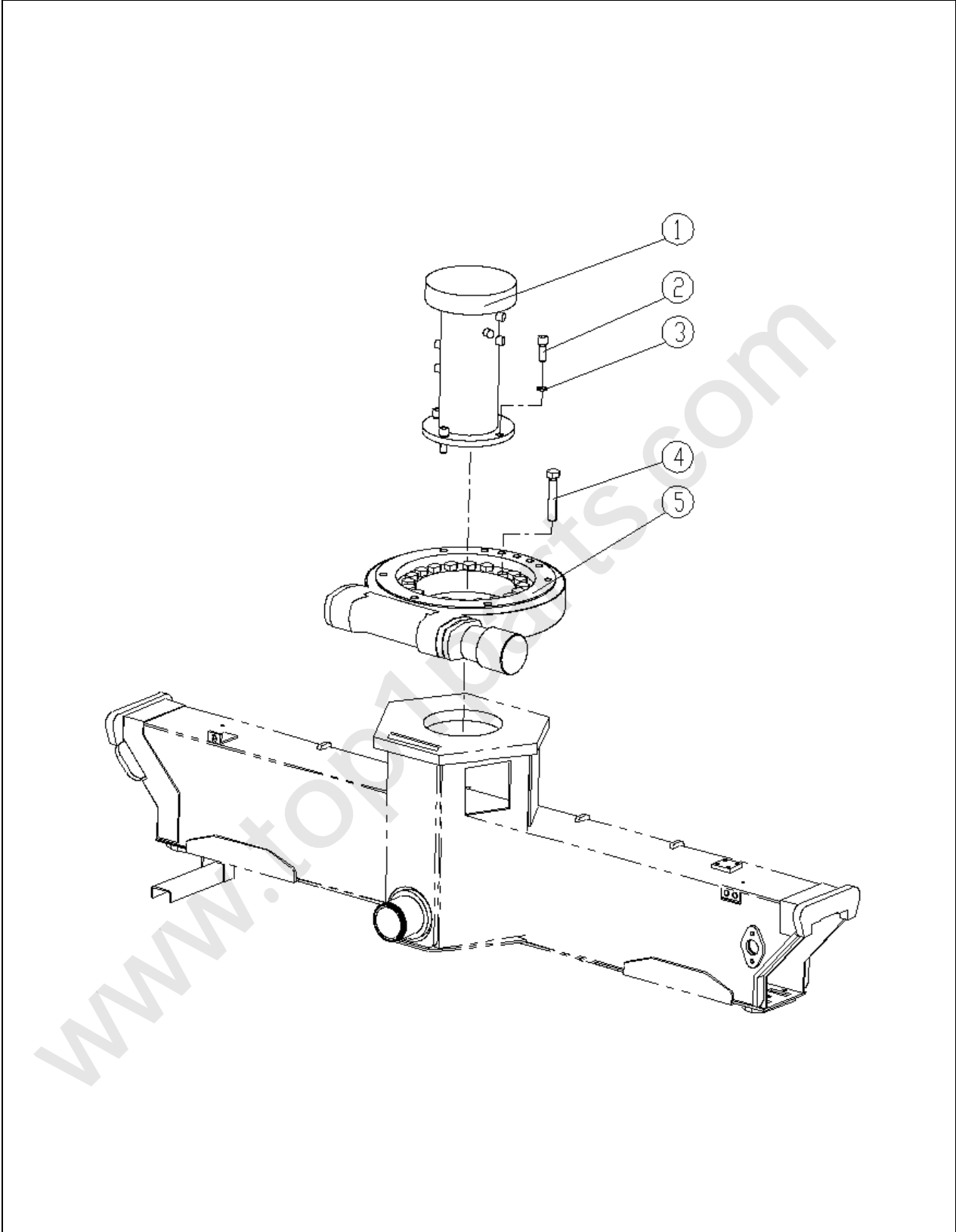


350300072 变幅油缸 Derricking cylinder

| 序号 No. | 物料代码 Part number | 名称 Part Name | 推荐数量 Advised Q' ty | 备注 Remark |
|-----------|---------------------|----------------------|-----------------------|--------------|
| 1 | —— | 钢背轴承 Bearing | 2 | |
| 2 | —— | 缸体 Cylinder | 1 | |
| 3 | —— | 轴用支撑环 Support ring | 2 | |
| 4 | —— | 组合密封 Assembled seal | 1 | |
| 5 | —— | 轴用密封圈 Sealed ring | 1 | |
| 6 | —— | 防尘圈 Dustproof ring | 1 | |
| 7 | —— | O 型圈 O -ring | 1 | |
| 8 | —— | 缸盖 Cylinder cover | 1 | |
| 9 | —— | 螺母 Nut | 1 | |
| 10 | —— | 活塞 Piston | 1 | |
| 11 | —— | 孔用支撑环 Support ring | 1 | |
| 12 | —— | 组合密封 Assembled ring | 1 | |
| 13 | —— | O 型圈 O -ring | 1 | |
| 14 | —— | 紧定螺钉 Tightness screw | 1 | |
| 15 | —— | 活塞杆 Piston pole | 1 | |
| 16 | —— | 油嘴 Oil nipple | 2 | |



回转机构 Slewing





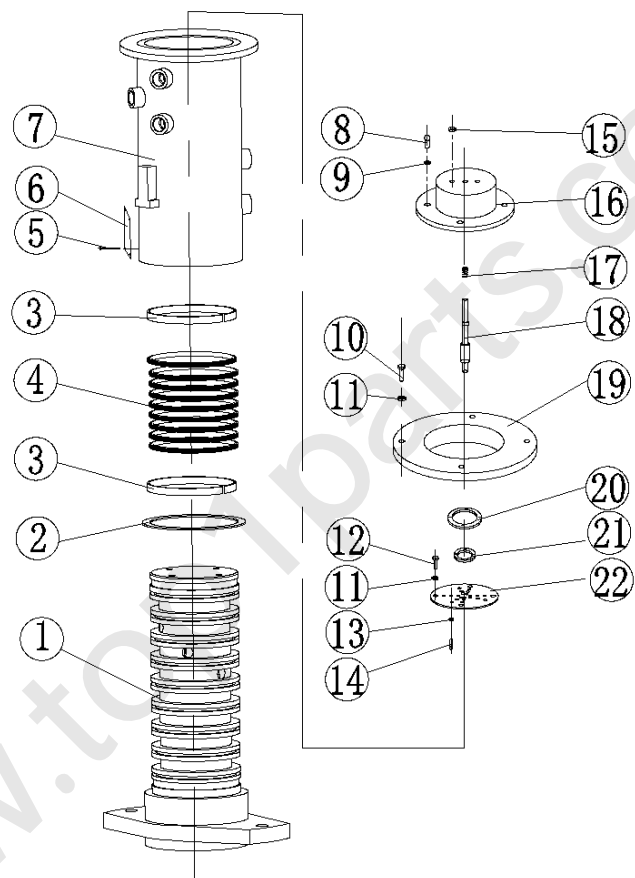
回转机构 Slewing

| 序号 No. | 物料代码 Part number | 名称 Part Name | 推荐数量 Advised Q' ty | 备注 Remark |
|-----------|---------------------|----------------------------|--------------------------|--------------|
| 1 | 358200044 | 回转分配器 Slewing distributor | 1 | |
| 2 | 805000013 | 螺栓 M16×35 Bolt | 4 | |
| 3 | 805300011 | 垫圈 16 Cushion ring | 4 | |
| 4 | 805004559 | 螺栓 M20×110 Bolt | 19 | |
| 5 | 800306024 | 回转机构 HZ335B Revolving gear | 1 | |

www.top1parts.com



358200044 回转分配器 Slewing distributor



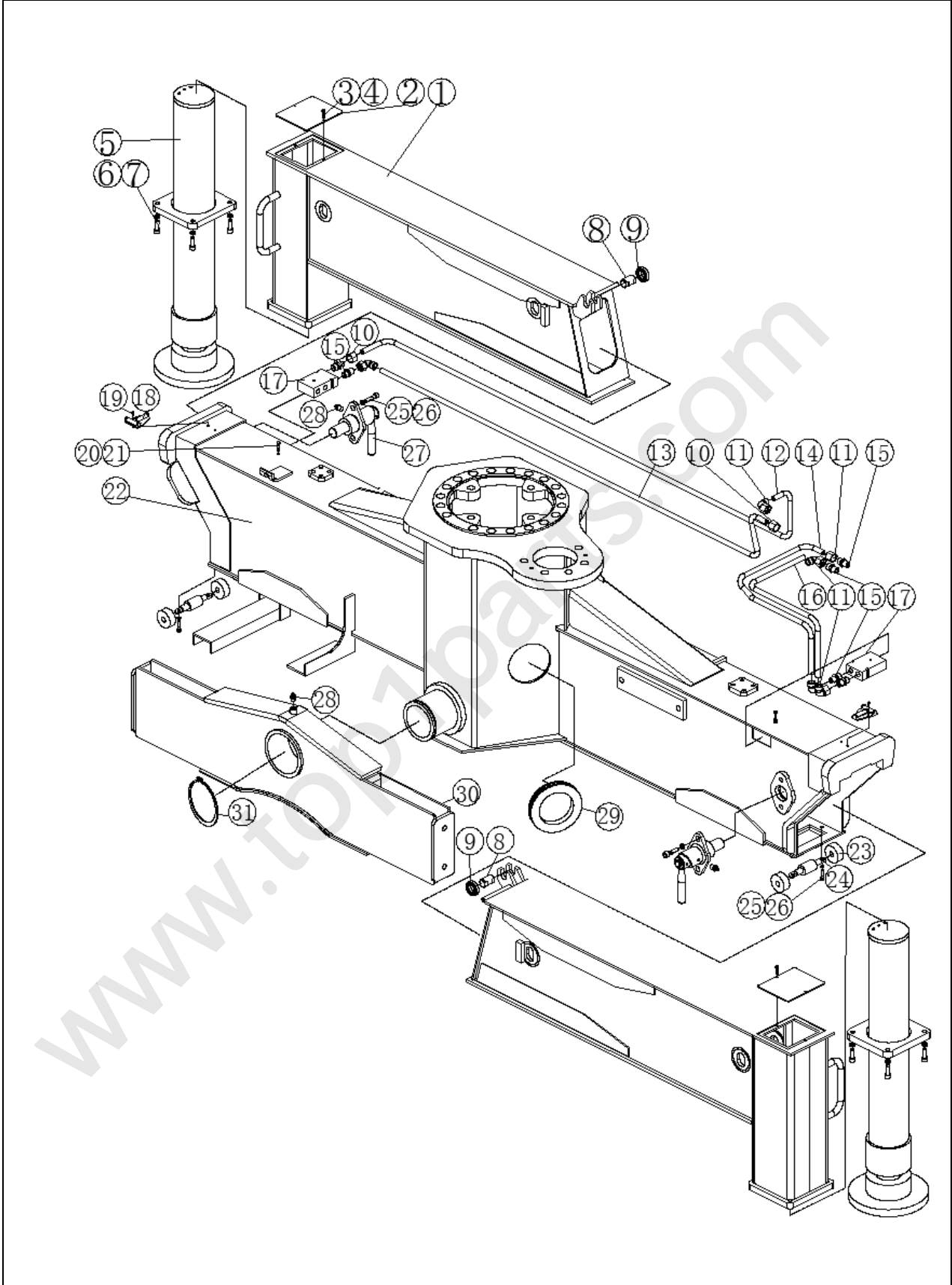


358200044 回转分配器 Slewing distributor

| 序号 No. | 物料代码 Part number | 名称 Part Name | 推荐数量 Advised Q' ty | 备注 Remark |
|-----------|---------------------|----------------------------|-----------------------|--------------|
| 1 | 358200341 | 芯轴 Core shaft | 1 | |
| 2 | 358200045 | 耐磨垫 I Wearable cushion | 1 | |
| 3 | 803175084 | 导向环 Pilot ring | 2 | |
| 4 | 803175148 | 旋转密封 Rotary seal | 9 | |
| 5 | 358200048 | 回转分配器标牌 Scutcheon | 1 | |
| 6 | 358200342 | 分配体 Cylinder | 1 | |
| 7 | 805000137 | 螺栓 M8×40 Bolt | 4 | |
| 8 | 805302783 | 弹性垫圈 8 Spring cushion | 8 | |
| 9 | 805100154 | 螺栓 M8×30 Bolt | 4 | |
| 10 | 358200015 | 盖板 Cover board | 1 | |
| 11 | 358200014 | 过渡套 Bush | 1 | |
| 12 | 358200047 | 压板 Press board | 1 | |
| 13 | 358200046 | 耐磨垫 II Wearable cushion | 1 | |



350200503 机座体总成 pedestal



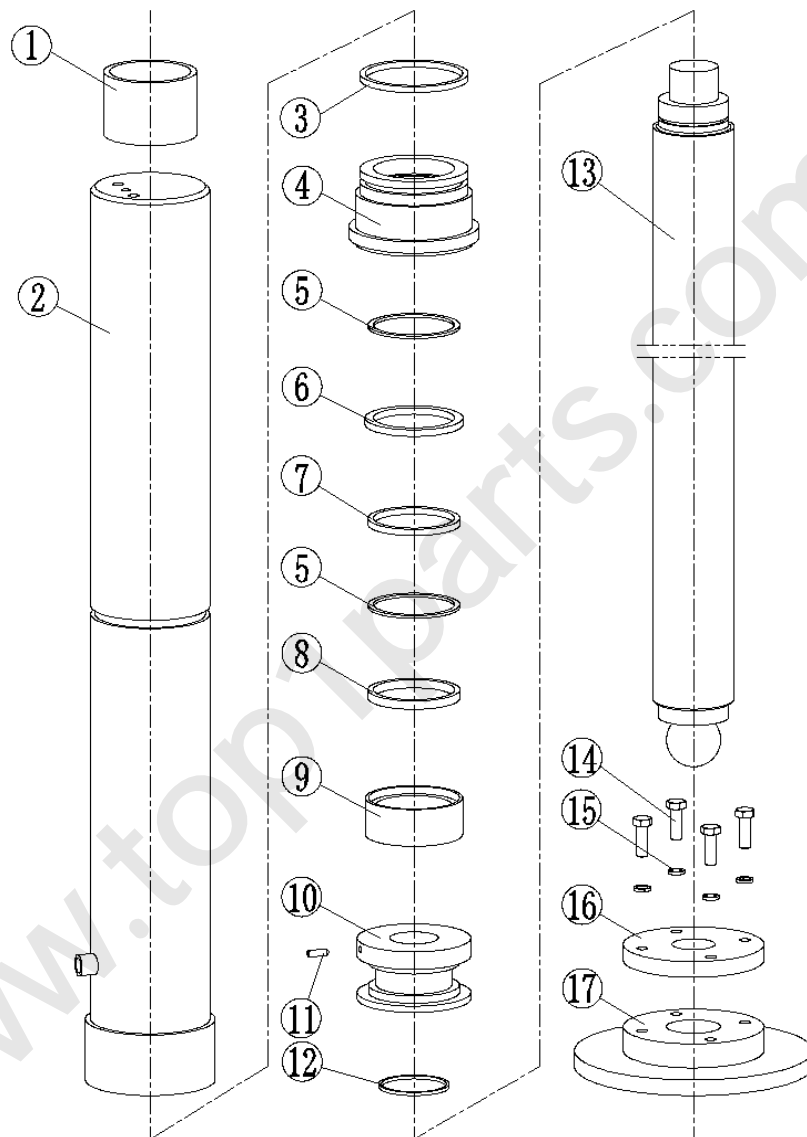


350200503 机座体总成 pedestal

| 序号 No. | 物料代码 Part number | 名称 Part Name | 推荐数量 Advised Q' ty | 备注 Remark |
|-----------|---------------------|--------------------------------|-----------------------|--------------|
| 1 | 350200384 | 活动支腿 Active leg | 2 | |
| 2 | 350200056 | 盖板 Cover board | 2 | |
| 3 | 805000389 | 螺栓 M5×10 Bolt | 4 | |
| 4 | 805300109 | 垫圈 5 Cushion ring | 4 | |
| 5 | 350200511 | 支腿油缸 Leg cylinder | 2 | |
| 6 | 805300014 | 垫圈 10 Cushion ring | 8 | |
| 7 | 805103872 | 螺钉 M10×30 Screw | 8 | |
| 8 | 350200006 | 轴 Shaft | 2 | |
| 9 | 800513665 | 深沟球轴承 6304 Bearing | 2 | |
| 10 | 803110396 | 螺母 M12LA3CX Nut | 8 | |
| 11 | 803306135 | 卡套 PSR12L Chuck | 8 | |
| 12 | 350200538 | 弯管 Bend tube | 1 | |
| 13 | 350200539 | 弯管 Bend tube | 1 | |
| 14 | 350200537 | 弯管 Bend tube | 1 | |
| 15 | 803174460 | 直通接头 I12LG1/2ED Straight joint | 8 | |
| 16 | 350200536 | 弯管 Bend tube | 1 | |
| 17 | 350700114 | 接头块 Joint block | 2 | |
| 18 | 803505158 | 水平仪 SS50 Gradienter | 2 | |
| 19 | 805105473 | 螺钉 M4×8 Screw | 4 | |
| 20 | 805103986 | 螺钉 M6×16 Screw | 6 | |
| 21 | 805300030 | 垫圈 6 Cushion ring | 6 | |
| 22 | 350200503 | 机座体 Pedestal | 1 | |
| 23 | 351600194 | 滚轮 Idler wheel | 4 | |
| 24 | 351600201 | 轴 Shaft | 2 | |
| 25 | 805103986 | 螺钉 M6×16 Screw | 6 | |
| 26 | 805300030 | 垫圈 6 Cushion ring | 6 | |
| 27 | 359400179 | 锁紧总成 Lock | 2 | |
| 28 | 801100336 | 油杯 M10×1 Oil cup | 2 | |
| 29 | 359400885 | 护套 Bush | 1 | |
| 30 | 350200229 | 支架焊接 Bracket weld | 1 | |
| 31 | 805400043 | 挡圈 95 Check ring | 1 | |



350200511 支腿油缸 Leg cylinder



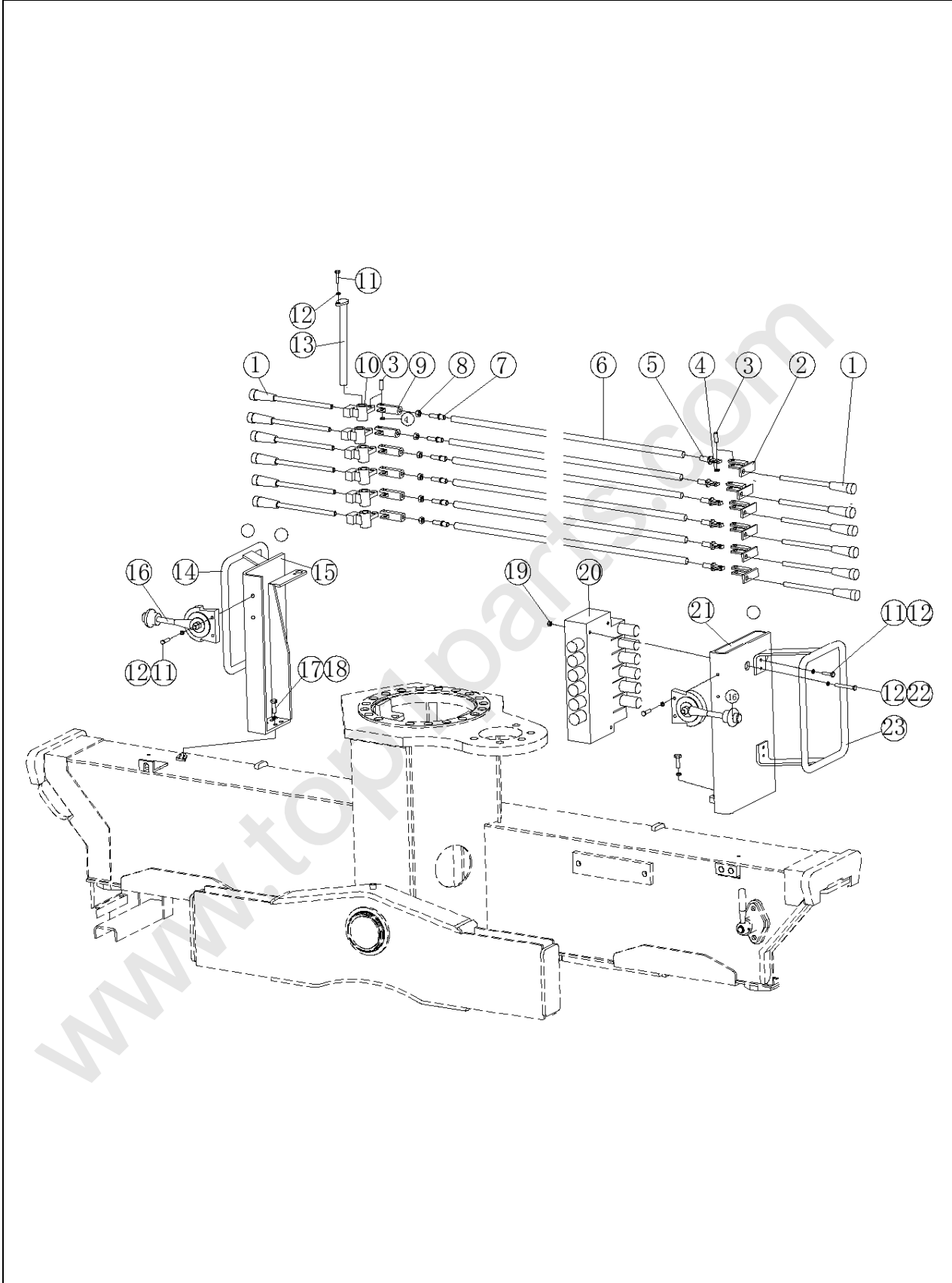


350200511 支腿油缸 Leg cylinder

| 序号 No. | 零部件代号 Part Code | 名称 Part Name | 推荐数量 Advised Q' ty | 备注 Remark |
|-----------|--------------------|-------------------------------|-----------------------|--------------|
| 1 | —— | 隔套 Separate ringer | 1 | |
| 2 | —— | 缸体 Cylinder | 1 | |
| 3 | —— | O 型圈 O-ring | 1 | |
| 4 | —— | 导向套 Pilot ringer | 1 | |
| 5 | —— | 轴用支承环 Support ring | 2 | |
| 6 | —— | 组合封 Assembled seals | 1 | |
| 7 | —— | 轴用密封圈 Seals ring for shaft | 1 | |
| 8 | —— | 防尘圈 Dustproof ring | 1 组 | |
| 9 | —— | 组合封 Assembled seals | 1 | |
| 10 | —— | 活塞 Piston | 1 | |
| 11 | —— | 内六角紧定螺钉 Allen bolt | 1 | |
| 12 | —— | O 型圈 O-ring | 1 | |
| 13 | —— | 活塞杆 Piston rod | 4 | |
| 14 | —— | 六角螺钉 Hexagon bolt | 4 | |
| 15 | —— | 弹簧垫圈 Spring ring | 1 | |
| 16 | —— | 盖板 Cover | 1 | |
| 17 | —— | 法兰座 Flange seat | 1 | |



350200509 操纵系统 controls



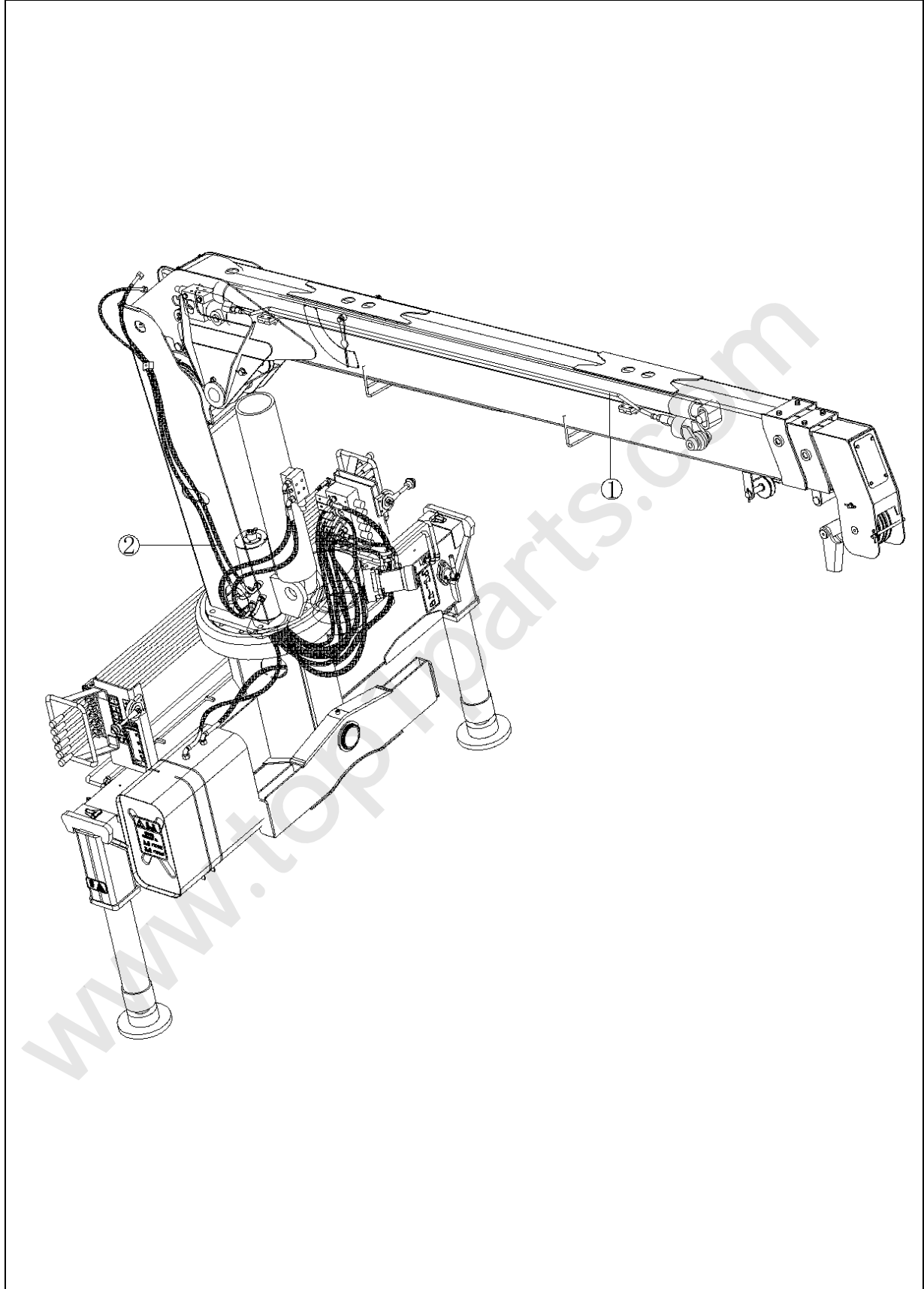


350200509 操纵系统 controls

| 序号 No. | 物料代码 Part number | 名称 Part Name | 推荐数量 Advised Q'ty | 备注 Remark |
|-----------|---------------------|----------------------------|----------------------|---------------|
| 1 | 359400147 | 操纵手柄 Control handle | 2 | |
| | 359400148 | | 1 | |
| | 359400149 | | 1 | |
| | 359400150 | | 1 | |
| | 359400151 | | 1 | |
| | 359400159 | | 2 | |
| | 359400160 | | 1 | |
| | 359400161 | | 1 | |
| | 359400162 | | 1 | |
| | 359400163 | | 1 | |
| 2 | 359400118 | 拨叉 Fork | 6 | |
| 3 | 359400133 | 销轴 Pin shaft | 12 | |
| 4 | 805400032 | 轴用弹性挡 圈 8 Check ring | 12 | |
| 5 | 359400266 | 接头 Joint | 6 | |
| 6 | 350200540 | 杆 Linker | 6 | |
| 7 | 359400265 | 连接螺钉 Joint Screw | 6 | |
| 8 | 805200045 | 螺母 M5 Nut | 6 | GB/T6170-2000 |
| 9 | 359400264 | 接头 Joint | 6 | |
| 10 | 359400100 | 拨叉 Fork | 6 | |
| 11 | 805000008 | 螺栓 M6×25 Bolt | 13 | GB/T5783-2000 |
| 12 | 805300030 | 弹垫 6 Cushion ring | 16 | GB/T93-1987 |
| 13 | 359400128 | 连接轴 Joint shaft | 1 | |
| 14 | 350100001 | 左护栏 Left rail | 1 | |
| 15 | 350100134 | 操纵架 Operation bracket | 1 | |
| 16 | 800305966 | 软轴 Soft shaft | 2 | |
| 17 | 805000018 | 螺钉 M8×25 Screw | 8 | GB/T5783-2000 |
| 18 | 805300010 | 弹垫 8 Cushion ring | 8 | |
| 19 | 805200053 | 螺母 M6 Nut | 3 | |
| 20 | 803007878 | 多路阀 Multichannel valve | 1 | |
| 21 | 350100166 | 阀架 Valve bracket | 1 | |
| 22 | 805100089 | 螺栓 M6×70 Bolt | 3 | GB/T70.1-2000 |
| 23 | 350100002 | 右护栏 Right rail | 1 | |



350300094 布管系统 Hydraulic pipe layout





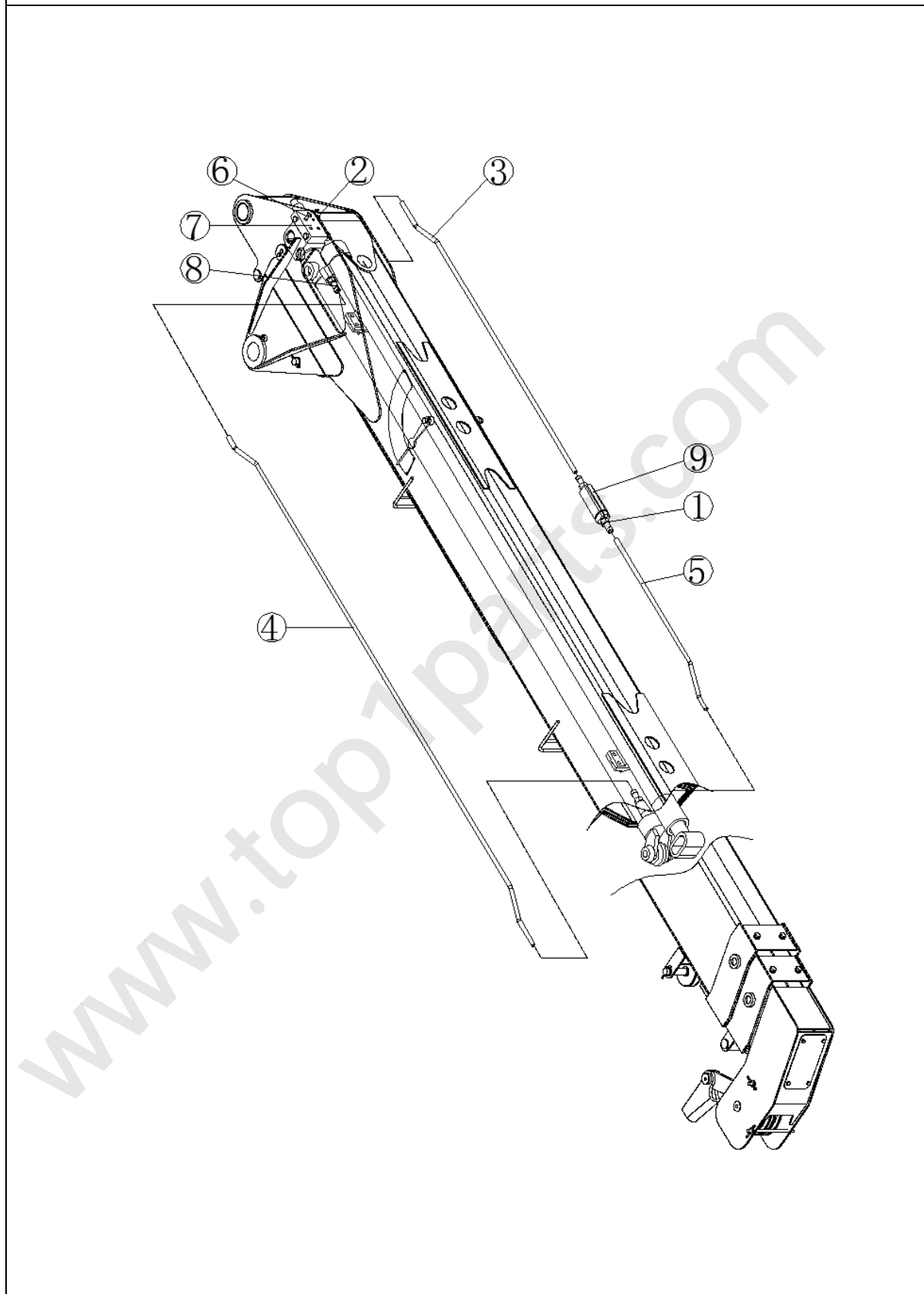
350300094 布管系统 Hydraulic pipe layout

| 序号 No. | 物料代码 Part number | 名称 Part Name | 推荐数量 Advised Q' ty | 备注 Remark |
|-----------|---------------------|--------------------------------------|-----------------------|--------------|
| 1 | 350300095 | 上车布管系统 Up hydraulic pipe layout | 1 | |
| 2 | 350200513 | 下车布管系统 Down hydraulic pipe layout | 1 | |

www.top1parts.com



350300095 上车布管系统 Up hydraulic pipe layout



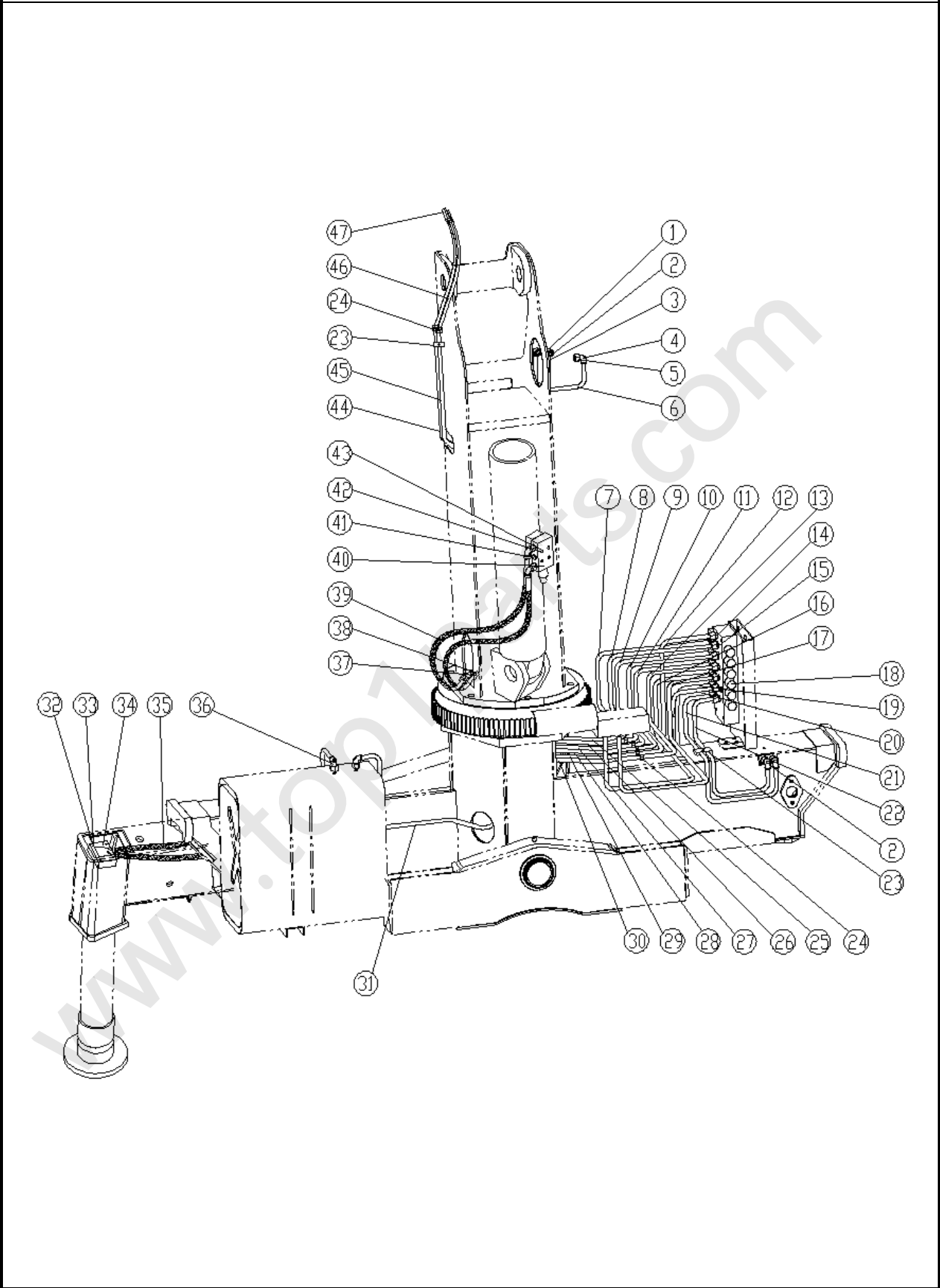


350300095 上车布管系统 Up hydraulic pipe layout

| 序号 No. | 物料代码 Part number | 名称 Part Name | 推荐数量 Advised Q' ty | 备注 Remark |
|-----------|---------------------|--------------------------------------|--------------------------|---------------|
| 1 | 803174460 | 直通接头 I12LG1/2ED Straight joint | 2 | |
| 2 | 803174763 | 直通接头 I12LG3/8ED/75 Straight joint | 2 | |
| 3 | 350300073 | 弯管 Bend tube | 1 | |
| 4 | 350300073 | 弯管 Bend tube | 1 | |
| 5 | 350200264 | 弯管 Bend tube | 1 | |
| 6 | 805100048 | 螺钉 M8×45 Screw | 4 | GB/T70.1-2008 |
| 7 | 803007973 | 单向平衡阀 SPHBB50 Balance valve | 1 | |
| 8 | 803174464 | 直通接头 I12LM16×1.5ED Straight joint | 4 | |
| 9 | 803068201 | 顺序阀 OTS10100020505 Sequence valve | 1 | |



350200513 下车布管系统 Down hydraulic pipe layout





350200513 下车布管系统 Down hydraulic pipe layout

| 序号 No. | 物料代码 Part number | 名称 Part Name | 推荐数量 Advised Q' ty | 备注 Remark |
|-----------|---------------------|---|-----------------------|--------------|
| 1 | 803174460 | 直通接头 I12LG1/2ED Straight joint | 4 | |
| 2 | 803174525 | 直角组合接头 LH12L Right angle joint | 6 | |
| 3 | 803183008 | 软管 N381HAQO121805-1300 Hose | 2 | |
| 4 | 803174450 | 直通接头 I10LG1/4ED Straight joint | 2 | |
| 5 | 803174524 | 直角组合接头 LH10L Right angle joint | 2 | |
| 6 | 803175653 | 软管 N481HAQO101805-1250 Hose | 1 | |
| 7 | 350200520 | 弯管 Bend tube | 1 | |
| 8 | 350200522 | 弯管 Bend tube | 1 | |
| 9 | 350200524 | 弯管 Bend tube | 1 | |
| 10 | 350200526 | 弯管 Bend tube | 1 | |
| 11 | 350200528 | 弯管 Bend tube | 1 | |
| 12 | 350200533 | 弯管 Bend tube | 1 | |
| 13 | 350200530 | 弯管 Bend tube | 1 | |
| 14 | 803174471 | 直通接头 I15LG1/2ED Straight joint | 1 | |
| 15 | 803174462 | 直通接头 I12LG3/8ED Straight joint | 14 | |
| 16 | 350200535 | 弯管 Bend tube | 1 | |
| 17 | 350200534 | 弯管 Bend tube | 1 | |
| 18 | 803008052 | 六联多路阀 D(6)L10-6G-OOOYOO Bend tube | 1 | |
| 19 | 350200538 | 弯管 Bend tube | 1 | |
| 20 | 350200539 | 弯管 Bend tube | 1 | |
| 21 | 350200537 | 弯管 Bend tube | 1 | |
| 22 | 350200536 | 弯管 Bend tube | 1 | |
| 23 | 359400104 | 管夹 Hose clip | 2 | |
| 24 | 803174458 | 接头 I12L joint | 12 | |
| 25 | 350200519 | 弯管 Bend tube | 1 | |
| 26 | 350200521 | 弯管 Bend tube | 1 | |
| 27 | 350200523 | 弯管 Bend tube | 1 | |
| 28 | 350200525 | 弯管 Bend tube | 1 | |
| 29 | 350200527 | 弯管 Bend tube | 1 | |
| 30 | 350200529 | 弯管 Bend tube | 1 | |



350200462 下车布管系统 Down hydraulic pipe layout

| 序号 No. | 物料代码 Part number | 名称 Part Name | 推荐数量 Advised Q' ty | 备注 Remark |
|-----------|---------------------|---------------------------|--|--------------|
| 31 | 803175235 | 软管 N481HAHA101005-1200 | Hose 1 | |
| 32 | 805005193 | 螺栓 M10×45 | Bolt 8 | |
| 33 | 805300014 | 垫圈 10 | Cushion ring 8 | |
| 34 | 803008012 | 双向液压锁 SO-K8L-J7 | Bidirectional hydraulic locking valve 1 | |
| 35 | 803175424 | 软管 N381HAHA121205-1800 | Hose 4 | |
| 36 | 803174526 | 接头 LH15L | joint 1 | |
| 37 | 803175155 | 组合垫 φ18 | Cushion 14 | |
| 38 | 805103958 | 空心螺钉 M18×1.5×38 | Bolt 7 | |
| 39 | 803176105 | 软管 N381HAHQ0121805-600 | Hose 2 | |
| 40 | 803007973 | 单向平衡阀 SPHBB50 | Balance valve 1 | |
| 41 | 803174381 | 油口堵塞 DTG3/8ED | Plug 6 | |
| 42 | 805300010 | 垫圈 8 | Cushion ring 8 | |
| 43 | 805100048 | 螺钉 M8×45 | Screw 8 | |
| 44 | 350200517 | 弯管 | Bend tube 1 | |
| 45 | 350200518 | 弯管 | Bend tube 1 | |
| 46 | 803175212 | 软管 N381HAHA121205-800 | Hose 2 | |
| 47 | 803174763 | 接头 I12LG3/8ED(加长 75) | joint 2 | |
| | | | | |
| | | | | |

Lined writing area with horizontal dashed lines.

www.top1parts.com

www.top1parts.com